

Bulletin 3300

ICH – Industrial Coolers, High Profile



ICH - INDUSTRIAL COOLERS, HIGH PROFILE

1200 MODELS

60 & 50Hz Operation

30, 36 and 42 Inch Fans

Ammonia, Halocarbon, and Glycol Refrigerants

3 to 69 Tons Refrigeration (10.5 to 243 kW) at 10°F (6°C) TD

6,640 to 128,450 CFM (3,133 to 60,616 L/s)



**Air Defrost • Hot Gas Defrost • Water Defrost
• Medium and High Temperature**

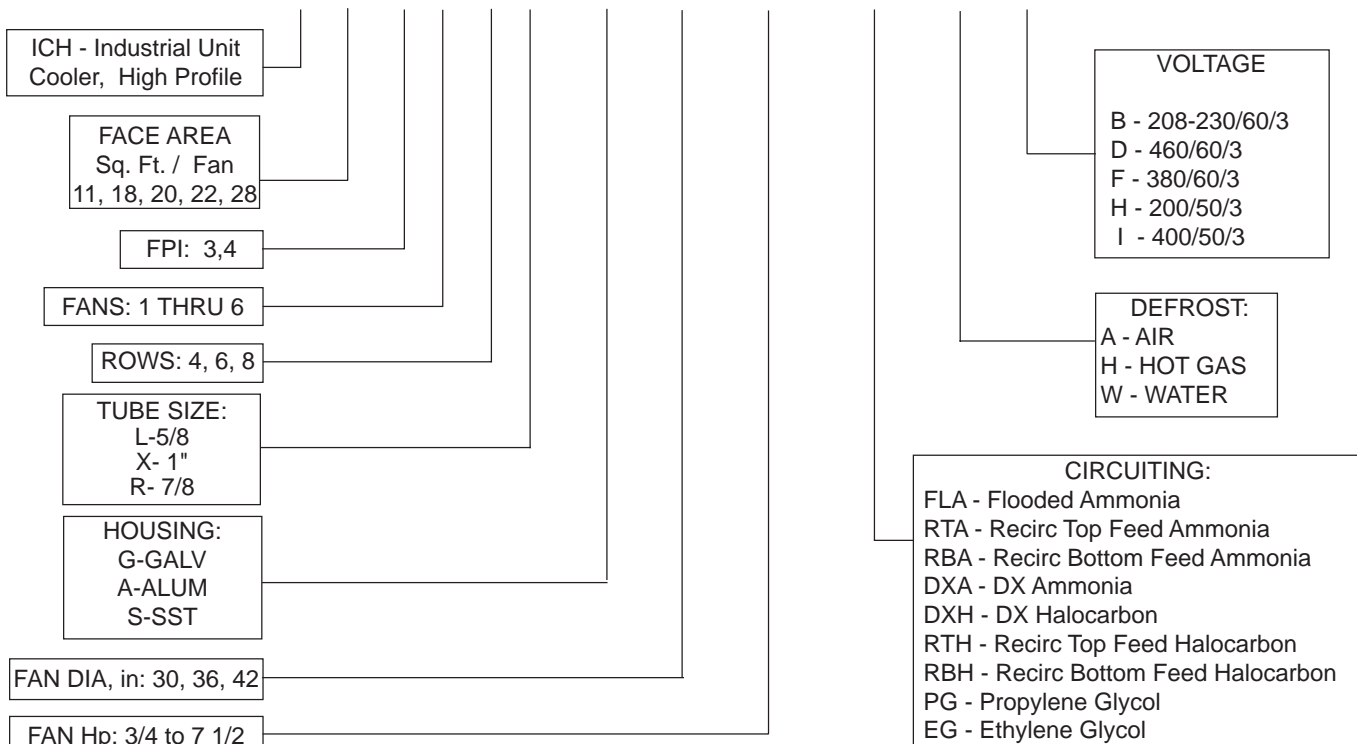
“The Heat Transfer Experts”

TABLE OF CONTENTS

MODEL NOMENCLATURE	2
ENGINEERING SPECIFICATIONS	3
OPTIONAL FEATURES	5
APPLICATION GUIDELINES	5
SELECTION PROCEDURE	6
CAPACITY CORRECTION FACTORS, VARIABLE FIN SPACING	6
FAN DIAMETER AND ROTATION SPEED	7
PERFORMANCE CORRECTION FACTORS FOR STEEL FAN BLADES	7
ENGLISH UNITS	
RATINGS, FLOODED & RECIRC. BOTTOM	7
RATINGS, DIRECT EXPANSION AND RECIRC. TOP	14
SPECIFICATIONS	21
SYSTEME INTERNATIONALE (SI) UNITS	
RATINGS, FLOODED & RECIRC. BOTTOM	26
RATINGS, DIRECT EXPANSION AND RECIRC. TOP	33
SPECIFICATIONS	40
ELECTRICAL SPECIFICATIONS.....	44
REFRIGERANT CONNECTION SIZES	45
DEFROST AND DRAINPAN CONNECTIONS.....	45
UNIT DIMENSIONS	46

MODEL NOMENCLATURE

ICH 18 – 4 2 4 X – G – 36 – 2 – FLA – H – R – B



ENGINEERING SPECIFICATIONS

I. EVAPORATORS — GENERAL

- **Coil - Ammonia - FL and RB:** Constructed with 1" OD x .065" wall seamless drawn Aluminum tubing. (ICH11 models constructed with 7/8 OD x .058" wall seamless, drawn Aluminum tubing)
Ammonia - RT and DX: To be constructed with 5/8" OD x .049" seamless drawn Aluminum tubing.

Halocarbon - FL and RB: To be constructed of 1" x .035" wall seamless, Copper tubing.

Halocarbon - RT and DX: To be constructed with 5/8" x .018" seamless, Copper tubing.

****Glycol:** To be constructed with 5/8" x .018" seamless, Copper tubing.

****Consult Factory for Performance Ratings.**

- **Fins** - Shall be aluminum 1100 alloy. Fins shall be continuous flat plate type with full length, self-spacing collars. Tubes to be staggered in direction of airflow, expanded into fin collars to form a tight mechanical bond between tube and fin.
- **Headers - Ammonia:** Shall be made of schedule 40 (minimum) Aluminum pipe. All joints TIG welded.
Halocarbon: Shall be made of Type "L" Copper. All joints brazed with 5% Silver Solder.
- **Coil Connections - Ammonia** - Shall be aluminum flange unions. (Dielectric bushing and washers which will electrically isolate aluminum coil flanges from the supplied mating steel socket weld flanges, are optional.) Halocarbon - Copper "sweat."
- **Ammonia Coils** - Shall be tested for leaks after welding at 500 psig (35 bar) with dry air under water.
Halocarbon coils - Shall be tested for leaks after welding at 350 psig (25 bar) with dry air under water.
- **Fans - Standard Fans** are one-piece, cast Aluminum, "airfoil" shape, with split-tapered Steel bushings. The airfoil shape provides superior performance for instances where heavy frosting, or air discharge attachments impede airflow. Optional Fans are Galvanized Steel blades on Steel hubs, with split-tapered Steel bushings. (Not recommended for heavy frost conditions, 45° down discharge or "Penthouse" configurations)

(See Page 7 for Fan Rotation Speeds, and Performance Factors for Steel Propellers.)

- **Motors** - Fan motors to be 3 Phase, totally enclosed fan-cooled (TEFC), with ball bearings and low temperature lubrication.
- **Cabinet** - Standard construction is of heavy gauge mill galvanized Steel. (Special materials are also available. See "Optional Features"). Individually compartmented fan sections allow for capacity control and eliminate air bypass. Removable Water Distribution pans (Water Defrost) and Air Baffles (Air & Hot-Gas Defrost), are made of 0.050 Aluminum.
- **Drainpans** - Shall be made of welded Aluminum. Optional, insulated drainpan with cover may also be specified. (Included with Hot-Gas defrost).

(Note: **Insulated Drain Pans** are required by the USDA for meat processing.)

II. OPTIONAL DUCT ARRANGEMENTS

- **Air Straighteners** - Fan guards are replaced with conical ducts which increase air throw distance approximately 30 - 40%. Fan capacities should be calculated with an additional 1/4" iwg (62 Pa) external static pressure.
- **45° Down Air Discharge** - Fans are located in an optional, 45° down discharge duct. Fan capacities should be calculated with an additional 1/4" iwg (62 Pa) external static pressure.
- **90° Down Air Discharge** - Fans are located in an optional, 90° down discharge duct (Penthouse). Access doors for inspection and motor removal are included. Fan capacities should be calculated with an additional 1/2" iwg (124 Pa) external static pressure.

III. CIRCUITING

- **Liquid Overfeed Circuiting** - RB (Recirc. Bottom Feed) and RT (Recirc. Top Feed) coils are circuited parallel-flow to optimize circuit feeding and coil performance at all load conditions. Liquid overfeed orifices shall be used at each circuit entrance, sized for 5 psi (34.5 kPa) pressure drop to insure good liquid distribution.
- **Flooded Circuiting** — FL (Gravity Flooded) coils are circuited parallel-flow to optimize circuit feeding and coil performance at all load conditions.
- **Direct Expansion Circuiting** — DX coils are circuited counterflow to produce superheated refrigerant on last pass. (Required for expansion valve operation).

IV. DEFROST

- **Hot Gas (H) Defrost** — Optional HG drainpan defrost shall be constructed of round tubing placed in good thermal contact with outside, bottom of pan. The Hot-Gas circuit shall be insulated and protected by a galvanized steel cover. Hot gas enters the pan loop first, then up through a check - valve into the suction header and coil. Condensate runs “downhill” through drainable circuiting to the liquid connection (FL & RB circuiting). DX hot gas, from the pan loop, enters through a bypass header, and flows “downhill” to the suction connection.
- **Water (W) Defrost** — Water shall be distributed evenly over the entire coil surface (excluding return bends and headers) by removable, Aluminum pans mounted above the fins. Splash guards are added to the drainpan near exposed fins. Larger drain connections are provided to ensure proper drainage.
- **Electric (E) Defrost** — Heater elements are placed in good thermal contact with bottom of drainpan. Additional heater elements are placed across the bottom of the fins, and interspersed through the coil. Electrical connections are made via terminal blocks.

V. ORDERING INFORMATION

- **Please Specify**
 1. Complete model number (see p. 2)
 2. Saturated suction temperature.
 3. Room temperature.
 4. Overfeed ratio (if pump recirculated).
 5. Options or special features.

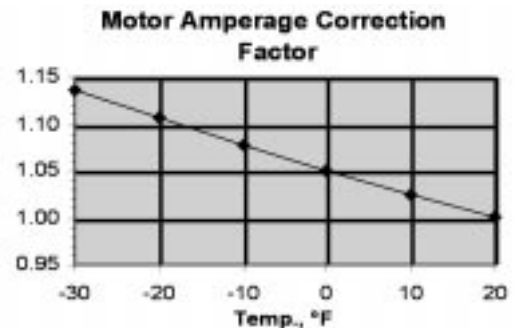
OPTIONAL FEATURES

- ¹Dual circuiting for capacity control.
 - ¹Corrosion resistant fin coatings.
 - ²Variable fin spacing for heavy frost conditions. First row on 4 row coils and first 2 rows on 6 row coils are 2 FPI, remaining rows of coil are 4 FPI.
 - Stainless steel or all Aluminum cabinet.
 - Air “Straighteners” (For long Airthrow)
 - 45° Down Air Discharge Duct
 - 90° Down Air Discharge Duct (Penthouse).
 - Dielectric steel flanges & bolts.
 - ¹Electric Defrost.
 - Heated and Insulated Drainpan, (Hot Gas and Electric Defrost).
 - Insulated Drainpan, (Air and Water Defrost)
 - ¹Fan Speed Controls, three phase
 - ¹Blow-through fan arrangements
 - ³Steel Propellers
 - High Efficiency Motors.
- ¹ Consult Factory for more information
² See page 6 for capacity correction factors
³ See page 7 for capacity correction factors

APPLICATION GUIDELINES

ICH Unit Coolers - Are suitable for large refrigerated storage areas. Units with high velocity air (700 fpm and above) should only be used in spaces well below freezing, or where moisture carry-over can be tolerated.

Motor - Overcurrent protection for ICH units should be approximated using the following chart. In very cold rooms, denser air will require higher fan horsepower. Consequently, motor amperage will rise slightly. (The colder air also facilitates better motor cooling, so within reasonable limits, the same size motor may be applied.)



Low TD's - Approx. 10°F (6°C) - are recommended for high humidity applications such as Carcass Chillers and Produce storage.

- Carcass chilling and produce storage require a higher initial refrigeration capacity. Removing body heat from a carcass, or field heat from fruits and vegetables, raises initial TD during pull-down. Size liquid lines for anticipated maximum load.

Recommended Coil Circuiting

RB - Pump Recirculated, Bottom Feed, Parallel Flow - Is recommended when using hot gas defrost systems. The coil should always have hot gas fed at the top (suction) to ensure good liquid and oil drainage during defrost.

RT - Pump Recirculated, Top Feed, Parallel Flow - Is recommended for air and water defrost systems. Although not recommended, top feed can be used in hot gas defrost systems provided hot gas is fed into the liquid header at the top of the coil. Gas flowing through the liquid feed orifices will result in a pressure drop, which will penalize defrost performance.

Note: Liquid Overfeed Systems - Must provide liquid at 5 psi (35 kPa) above suction pressure and at a temperature not exceeding 30°F (17°C) above saturated suction temperature.

FL - Gravity Flooded, Bottom Feed, Parallel Flow - Is typically cost-effective for small systems (4 evaporators or less), and is recommended when a variable load exists. May be used with Hot Gas Defrost, provided the coil has hot gas fed into the suction header to ensure good liquid and oil drainage during defrost.

DX - Direct Expansion Feed, Counter Flow - Should not be used on Ammonia systems when saturated suction temperature is 0°F (-18°C) or less. For best results, DX coils should be used with a minimum TD of 12 to 15°F (7 to 9°C) for Ammonia, and a minimum TD of 6 to 10°F (4 to 6°C) for Halocarbon.

Recommended Circuiting / Defrost Combinations

Circuiting	Defrost Configuration			
	Hot Gas	Water	Air	Electric
FLA / FLH	✓	✓	✓	(Note 1)
RBA / RBH	✓	✓	✓	(Note 1)
RTA / RTH	N/R	✓	✓	✓
DXA / DXH	✓	✓	✓	✓

Note 1. Electric Defrost Available for FL/RB circuiting only on ICH-11.

SELECTION PROCEDURE

- To select a model, determine the basic capacity:
Basic Capacity = Unit Load ÷ TD (TD = Room temperature - Suction Temperature)
- Next determine if the coil will be dry, wet or frosted:
 - Wet is normal rating, with very light moisture removal, 0.9 SHR. If high humidity exists, or if the system will use Air-Defrost, make sure air velocity is less than 700 fpm (3.56 m/s). **Note: If an ICH Unit Cooler doesn't have desired air velocity, consider another Colmac product - ICL, AR, or LV.**
 - Dry ratings use Sensible Heat Transfer only
 - Frosted ratings are used when coil temperature is below 28°F (-2°C), and when defrost schedule is inconsistent. (When frosting is heavy, use variable fin spacing)
- Determine whether the unit will operate with external static pressure against the fan. Normal performance is read under, "0 ESP". For operation in heavy frost conditions, or with non-standard air discharge use, "1/2 iwg" (124 Pa) ESP performance.
- Using the above information, enter the Performance Tables and select a unit which supplies the correct capacity (Btuh/°F or Watts/°C), and the correct air velocity.
- Fan Motor Heat - Is not included in the ratings and should be added to room cooling load as follows:

English		SI	
HP	Btu / (HP*hr)	kW	Watts / kW
1/8 to 1/2	4250	0.1 to 0.4	1670
3/4 to 3	3700	0.6 to 2.2	1454
5 to 20	2950	3.7 to 14.9	1159

- Capacity Correction Factors for Variable Fin Spacing:

Variable Fin Capacity = Btuh/°F (Watts/°C) x appropriate factor from table, below.

Fin Configuration	Apply to			Rating For:
	4 Row	6 Row	8 Row	
2 / 3 Variable	.85	.88	.90	3 FPI
2 / 4 Variable	.80	.85	.89	4 FPI

Fan Diameter and Rotation Speed

Model	Fan Diameter		Motor	Rotation Speed	
	in	(mm)	Horsepower	60 Hz	50 Hz
ICH-11	30"	(762)	3/4 Hp	1160	1450
	30"	(762)	1 to 2 Hp	1160	1450
	30"	(762)	3 Hp	1750	1450
ICH-18	30"	(762)	1 Hp	1160	1450
	36"	(914)	2 to 5 Hp	1160	1450
ICH-20	36"	(914)	All Hp	1160	1450
ICH-22	42"	(1067)	All Hp	1160	1450
ICH-28	42"	(1067)	All Hp	1160	1450

Performance Correction Factors for Steel Fan Blades

Model	Hp	kW	Airflow,	Ratings,
			CFM & L/s	Btuh & Watts
ICH-11	3/4	0.56	0.84	0.88
	1	0.75	0.91	0.93
	1 1/2	1.12	0.89	0.88
ICH-18	2	1.49	0.92	0.93
	3	2.24	0.84	0.88
	1	0.75	0.91	0.93
ICH-20	1 1/2	1.12	0.94	0.95
	2	1.49	0.91	0.92
	3	2.24	0.91	0.92
ICH-22	5	3.73	0.85	0.87
	1 1/2	1.12	0.94	0.95
	2	1.49	0.91	0.92
ICH-28	3	2.24	0.91	0.92
	5	3.73	0.85	0.87
	7 1/2	5.60	0.97	0.98

- Optional, Steel Fans will reduce performance slightly, so use Performance Tables, then multiply by appropriate "Performance Factor for Steel Propeller" to calculate lower ratings.
- Dry Fin Ratings are calculated as follows: 0.96 x Wet Btuh / °F (0.96 x Wet Watts / °C)

ICH11 - AMMONIA & R-22 RATINGS, ENGLISH UNITS

English Capacities of Colmac ICH Series Refrigeration Equipment, (Generated at 30°F EADB, 0.90 Sens. Heat Ratio)

FL and RB CIRCUITING					3 Fins Per Inch								4 Fins Per Inch							
					0" ESP				1/2" ESP				0" ESP				1/2" ESP			
No. Fans	No. Rows	Horsepower		Face Area (ft²)	Air Flow		Btuh / °F		Air Flow		Btuh / °F		Air Flow		Btuh / °F		Air Flow		Btuh / °F	
		60 Hz	50 Hz		CFM	FPM	Wet	Frosted	CFM	FPM	Wet	Frosted	CFM	FPM	Wet	Frosted	CFM	FPM	Wet	Frosted
1	4	3/4	3/4	11.25	7990	710	4243	3857	—	—	—	—	7830	696	4435	4031	—	—	—	—
1	6	3/4	3/4	11.25	7550	671	5276	4796	—	—	—	—	7350	653	5539	5035	—	—	—	—
1	8	3/4	3/4	11.25	7200	640	6070	5518	—	—	—	—	6940	617	6296	5723	—	—	—	—
1	4	1	1	11.25	9410	836	4817	4379	6190	550	3473	3157	9250	822	5026	4568	6000	533	3632	3301
1	6	1	1	11.25	8890	790	5975	5432	5870	522	4352	3956	8660	770	6269	5699	5610	499	4515	4104
1	8	1	1	11.25	8430	749	6969	6335	5610	499	4812	4374	8170	726	7263	6602	5310	472	4900	4454
1	4	1 1/2	1 1/2	11.25	11050	982	5451	4955	7500	667	4039	3671	10870	966	5673	5156	7260	645	4190	3809
1	6	1 1/2	1 1/2	11.25	10370	922	6716	6105	6920	615	4937	4488	10130	900	7055	6413	6620	588	5118	4652
1	8	1 1/2	1 1/2	11.25	9790	870	7910	7190	6490	577	5525	5022	9480	843	8236	7487	6130	545	5623	5111
1	4	2	2	11.25	11760	1045	5717	5197	8070	717	4276	3887	11530	1025	5929	5390	7850	698	4443	4039
1	6	2	2	11.25	10950	973	6999	6362	7450	662	5223	4748	10670	948	7337	6669	7160	636	5431	4936
1	8	2	2	11.25	10250	911	8218	7470	6980	620	5904	5367	9930	883	8560	7781	6640	590	6051	5500
1	4	3	3	11.25	14080	1252	6561	5964	12440	1106	5969	5426	13930	1238	6833	6211	12010	1068	6113	5557
1	6	3	3	11.25	13530	1203	8213	7466	11580	1029	7302	6637	13320	1184	8670	7881	11360	1010	7691	6991
1	8	3	3	11.25	13030	1158	9994	9084	11040	981	8737	7942	12780	1136	10511	9555	10790	959	9165	8331
2	4	3/4	3/4	22.5	15980	710	8486	7714	—	—	—	—	15660	696	8870	8063	—	—	—	—
2	6	3/4	3/4	22.5	15100	671	10553	9593	—	—	—	—	14700	653	11078	10070	—	—	—	—
2	8	3/4	3/4	22.5	14400	640	12141	11036	—	—	—	—	13880	617	12592	11447	—	—	—	—
2	4	1	1	22.5	18820	836	9634	8757	12380	550	6946	6314	18500	822	10051	9137	12000	533	7264	6603
2	6	1	1	22.5	17780	790	11951	10863	11740	522	8703	7911	17320	770	12538	11397	11220	499	9030	8208
2	8	1	1	22.5	16860	749	13938	12670	11220	499	9624	8748	16340	726	14526	13204	10620	472	9800	8909
2	4	1 1/2	1 1/2	22.5	22100	982	10902	9910	15000	667	8078	7343	21740	966	11345	10313	14520	645	8381	7618
2	6	1 1/2	1 1/2	22.5	20740	922	13432	12210	13840	615	9874	8975	20260	900	14111	12827	13240	588	10236	9305
2	8	1 1/2	1 1/2	22.5	19580	870	15820	14380	12980	577	11049	10044	18960	843	16472	14973	12260	545	11245	10222
2	4	2	2	22.5	23520	1045	11435	10394	16140	717	8552	7774	23060	1025	11858	10779	15700	698	8887	8078
2	6	2	2	22.5	21900	973	13998	12724	14900	662	10446	9496	21340	948	14674	13338	14320	636	10861	9873
2	8	2	2	22.5	20500	911	16436	14940	13960	620	11808	10733	19860	883	17120	15562	13280	590	12101	11000
2	4	3	3	22.5	28160	1252	13121	11927	24880	1106	11938	10851	27860	1238	13666	12422	24020	1068	12227	11114
2	6	3	3	22.5	27060	1203	16427	14932	23160	1029	14603	13274	26640	1184	17340	15762	22720	1010	15382	13983
2	8	3	3	22.5	26060	1158	19988	18169	22080	981	17473	15883	25560	1136	21022	19109	21580	959	18331	16662

ICH11 - AMMONIA & R-22 RATINGS, ENGLISH UNITS (Continued)

FL and RB CIRCUITING					3 Fins Per Inch								4 Fins Per Inch							
					0" ESP				1/2" ESP				0" ESP				1/2" ESP			
					Air Flow	Btuh / °F		Face	Air Flow	Btuh / °F		Air Flow	Btuh / °F		Air Flow	Btuh / °F		Air Flow	Btuh / °F	
CFM	FPM	Wet	Frosted	CFM	FPM	Wet	Frosted		CFM	FPM	Wet	Frosted	CFM	FPM	Wet	Frosted				
No. Fans	No. Rows	60 Hz	50 Hz	Area (ft ²)																
3	4	3/4	3/4	33.75	23970	710	12729	11571	—	—	—	—	23490	696	13305	12094	—	—	—	—
3	6	3/4	3/4	33.75	22650	671	15829	14389	—	—	—	—	22050	653	16617	15105	—	—	—	—
3	8	3/4	3/4	33.75	21600	640	18211	16554	—	—	—	—	20820	617	18889	17170	—	—	—	—
3	4	1	1	33.75	28230	836	14451	13136	18570	550	10419	9471	27750	822	15077	13705	18000	533	10895	9904
3	6	1	1	33.75	26670	790	17926	16295	17610	522	13055	11867	25980	770	18807	17096	16830	499	13545	12313
3	8	1	1	33.75	25290	749	20908	19005	16830	499	14436	13123	24510	726	21788	19806	15930	472	14701	13363
3	4	1 1/2	1 1/2	33.75	33150	982	16353	14865	22500	667	12116	11014	32610	966	17018	15469	21780	645	12571	11427
3	6	1 1/2	1 1/2	33.75	31110	922	20149	18315	20760	615	14810	13463	30390	900	21166	19240	19860	588	15354	13957
3	8	1 1/2	1 1/2	33.75	29370	870	23730	21570	19470	577	16574	15066	28440	843	24708	22460	18390	545	16868	15333
3	4	2	2	33.75	35280	1045	17152	15592	24210	717	12829	11661	34590	1025	17787	16169	23550	698	13330	12117
3	6	2	2	33.75	32850	973	20997	19086	22350	662	15669	14243	32010	948	22010	20007	21480	636	16292	14809
3	8	2	2	33.75	30750	911	24654	22410	20940	620	17711	16100	29790	883	25679	23343	19920	590	18152	16500
3	4	3	3	33.75	42240	1252	19682	17891	37320	1106	17906	16277	41790	1238	20498	18633	36030	1068	18340	16671
3	6	3	3	33.75	40590	1203	24640	22398	34740	1029	21905	19912	39960	1184	26010	23643	34080	1010	23074	20974
3	8	3	3	33.75	39090	1158	29982	27253	33120	981	26210	23825	38340	1136	31533	28664	32370	959	27496	24994
4	4	3/4	3/4	45	31960	710	16973	15428	—	—	—	—	31320	696	17740	16125	—	—	—	—
4	6	3/4	3/4	45	30200	671	21106	19185	—	—	—	—	29400	653	22156	20140	—	—	—	—
4	8	3/4	3/4	45	28800	640	24282	22072	—	—	—	—	27760	617	25185	22893	—	—	—	—
4	4	1	1	45	37640	836	19267	17514	24760	550	13892	12627	37000	822	20103	18273	24000	533	14527	13205
4	6	1	1	45	35560	790	23902	21727	23480	522	17406	15822	34640	770	25076	22794	22440	499	18060	16417
4	8	1	1	45	33720	749	27877	25340	22440	499	19248	17497	32680	726	29051	26407	21240	472	19601	17817
4	4	1 1/2	1 1/2	45	44200	982	21804	19820	30000	667	16155	14685	43480	966	22690	20626	29040	645	16761	15236
4	6	1 1/2	1 1/2	45	41480	922	26865	24420	27680	615	19747	17950	40520	900	28221	25653	26480	588	20472	18609
4	8	1 1/2	1 1/2	45	39160	870	31640	28761	25960	577	22099	20088	37920	843	32945	29947	24520	545	22491	20444
4	4	2	2	45	47040	1045	22870	20789	32280	717	17105	15548	46120	1025	23716	21558	31400	698	17774	16156
4	6	2	2	45	43800	973	27996	25448	29800	662	20892	18991	42680	948	29347	26677	28640	636	21722	19745
4	8	2	2	45	41000	911	32872	29880	27920	620	23615	21466	39720	883	34239	31123	26560	590	24203	22000
4	4	3	3	45	56320	1252	26242	23854	49760	1106	23875	21703	55720	1238	27331	24844	48040	1068	24453	22228
4	6	3	3	45	54120	1203	32853	29864	46320	1029	29207	26549	53280	1184	34679	31524	45440	1010	30765	27965
4	8	3	3	45	52120	1158	39975	36338	44160	981	34946	31766	51120	1136	42044	38218	43160	959	36661	33325
5	4	3/4	3/4	56.25	39950	710	21216	19285	—	—	—	—	39150	696	22175	20157	—	—	—	—
5	6	3/4	3/4	56.25	37750	671	26382	23982	—	—	—	—	36750	653	27695	25175	—	—	—	—
5	8	3/4	3/4	56.25	36000	640	30352	27590	—	—	—	—	34700	617	31481	28616	—	—	—	—
5	4	1	1	56.25	47050	836	24084	21893	30950	550	17364	15784	46250	822	25129	22842	30000	533	18159	16506
5	6	1	1	56.25	44450	790	29877	27158	29350	522	21758	19778	43300	770	31345	28493	28050	499	22575	20521
5	8	1	1	56.25	42150	749	34846	31675	28050	499	24060	21871	40850	726	36314	33009	26550	472	24501	22271
5	4	1 1/2	1 1/2	56.25	55250	982	27255	24774	37500	667	20194	18356	54350	966	28363	25782	36300	645	20952	19045
5	6	1 1/2	1 1/2	56.25	51850	922	33581	30525	34600	615	24684	22438	50650	900	35277	32067	33100	588	25590	23261
5	8	1 1/2	1 1/2	56.25	48950	870	39550	35951	32450	577	27624	25110	47400	843	41181	37433	30650	545	28113	25555
5	4	2	2	56.25	58800	1045	28587	25986	40350	717	21381	19435	57650	1025	29646	26948	39250	698	22217	20195
5	6	2	2	56.25	54750	973	34995	31810	37250	662	26115	23739	53350	948	36684	33346	35800	636	27153	24682
5	8	2	2	56.25	51250	911	41090	37350	34900	620	29519	26833	49650	883	42799	38904	33200	590	30254	27501
5	4	3	3	56.25	70400	1252	32803	29818	62200	1106	29844	27128	69650	1238	34164	31055	60050	1068	30567	27785
5	6	3	3	56.25	67650	1203	41067	37330	57900	1029	36508	33186	66600	1184	43349	39405	56800	1010	38456	34957
5	8	3	3	56.25	65150	1158	49969	45422	55200	981	43683	39708	63900	1136	52556	47773	53950	959	45826	41656
6	4	3/4	3/4	67.5	47940	710	25459	23142	—	—	—	—	46980	696	26610	24188	—	—	—	—
6	6	3/4	3/4	67.5	45300	671	31659	28778	—	—	—	—	44100	653	33234	30210	—	—	—	—
6	8	3/4	3/4	67.5	43200	640	36423	33108	—	—	—	—	41640	617	37777	34340	—	—	—	—
6	4	1	1	67.5	56460	836	28901	26271	37140	550	20837	18941	55500	822	30154	27410	36000	533	21791	19808
6	6	1	1	67.5	53340	790	35853	32590	35220	522	26109	23733	51960	770	37614	34191	33660	499	27090	24625
6	8	1	1	67.5	50580	749	41815	38010	33660	499	28873	26245	49020	726	43577	39611	31860	472	29401	26726
6	4	1 1/2	1 1/2	67.5	66300	982	32706	29729	45000	667	24233	22028	65220	966	34036	30938	43560	645	25142	22854
6	6	1 1/2	1 1/2	67.5	62220	922	40297	36630	41520	615	29621	26925	60780	900	42332	38480	39720	588	30708	27914
6	8	1 1/2	1 1/2	67.5	58740	870	47460	43141	38940	577	33148	30132	56880	843	49417	44920	36780	545	33736	30666
6	4	2	2	67.5	70560	1045	34305	31183	48420	717	25657	23322	69180	1025	35575	32337	47100	698	26661	24234
6	6	2	2	67.5	65700	973	41994	38172	44700	662	31338	28487	64020	948	44021	40015	42960	636	32583	29618
6	8	2	2	67.5	61500	911	49308	44821	41880	620	35423	32199	59580	883	51359	46685	39840	590	36304	33001
6	4	3	3	67.5	84480	1252	39363	35781	74640	1106	35813	32554	83580	1238	40997	37266	72060	1068	36680	33342
6	6	3	3	67.5	81180	1203	49280	44796	69480	1029	43810	39823	79920	1184	52019	47285	68160	1010	46147	41948
6	8	3	3	67.5	78180	1158	59963	54507	66240	981	52419	47649	76680	1136	63067	57328	64740	959	54992	49987

ICH18 - AMMONIA & R-22 RATINGS, ENGLISH UNITS

English Capacities of Colmac ICH Series Refrigeration Equipment, (Generated at 30°F EADB, 0.90 Sens. Heat Ratio)

FL and RB CIRCUITING				3 Fins Per Inch								4 Fins Per Inch								
				0" ESP				1/2" ESP				0" ESP				1/2" ESP				
No. Fans	No. Rows	Horsepower		Face Area (ft ²)	Air Flow		Btuh / °F		Air Flow		Btuh / °F		Air Flow		Btuh / °F		Air Flow		Btuh / °F	
		60 Hz	50 Hz		CFM	FPM	Wet	Frosted	CFM	FPM	Wet	Frosted	CFM	FPM	Wet	Frosted	CFM	FPM	Wet	Frosted
1	4	1	1	18	11010	612	5258	4779	—	—	—	—	10890	605	5561	5055	—	—	—	—
1	6	1	1	18	10730	596	7022	6383	—	—	—	—	10540	586	7429	6753	—	—	—	—
1	8	1	1	18	10450	581	8033	7302	—	—	—	—	10220	568	8471	7700	—	—	—	—
1	4	1 1/2	1 1/2	18	13200	733	6046	5495	9190	511	4570	4154	13010	723	6341	5764	8950	497	4814	4376
1	6	1 1/2	1 1/2	18	12640	702	7958	7233	8860	492	6062	5510	12390	688	8394	7630	8520	473	6324	5748
1	8	1 1/2	1 1/2	18	12140	674	9015	8194	8560	476	6881	6255	11810	656	9457	8596	8160	453	7131	6482
1	4	2	2	18	15620	868	6876	6251	11770	654	5536	5032	15430	857	7196	6541	11530	641	5800	5272
1	6	2	2	18	14950	831	9041	8218	11180	621	7246	6587	14650	814	9525	8658	10860	603	7599	6907
1	8	2	2	18	14330	796	10234	9303	10700	594	8180	7436	13960	776	10736	9759	10310	573	8528	7752
1	4	3	3	18	17130	952	7377	6706	14190	788	6390	5808	16970	943	7723	7020	13990	777	6692	6083
1	6	3	3	18	16560	920	9770	8881	13590	755	8409	7644	16350	908	10347	9405	13330	741	8871	8063
1	8	3	3	18	15980	888	11121	10109	13010	723	9506	8641	15660	870	11712	10646	12610	701	9939	9035
1	4	5	5	18	21530	1196	8777	7978	18100	1006	7693	6993	21270	1182	9137	8305	17840	991	8015	7286
1	6	5	5	18	20620	1146	11534	10484	17090	949	10006	9096	20280	1127	12168	11060	16710	928	10518	9561
1	8	5	5	18	19640	1091	13008	11824	16170	898	11222	10200	19130	1063	13624	12385	15740	874	11757	10687
2	4	1	1	36	22020	612	10515	9558	—	—	—	—	21780	605	11121	10109	—	—	—	—
2	6	1	1	36	21460	596	14044	12766	—	—	—	—	21080	586	14858	13506	—	—	—	—
2	8	1	1	36	20900	581	16065	14603	—	—	—	—	20440	568	16942	15400	—	—	—	—
2	4	1 1/2	1 1/2	36	26400	733	12091	10991	18380	511	9140	8308	26020	723	12683	11529	17900	497	9628	8752
2	6	1 1/2	1 1/2	36	25280	702	15915	14467	17720	492	12124	11021	24780	688	16789	15261	17040	473	12647	11496
2	8	1 1/2	1 1/2	36	24280	674	18029	16388	17120	476	13762	12510	23620	656	18913	17192	16320	453	14262	12964
2	4	2	2	36	31240	868	13753	12501	23540	654	11071	10064	30860	857	14392	13082	23060	641	11600	10544
2	6	2	2	36	29900	831	18082	16437	22360	621	14492	13173	29300	814	19050	17317	21720	603	15198	13815
2	8	2	2	36	28660	796	20469	18606	21400	594	16361	14872	27920	776	21472	19518	20620	573	17055	15503
2	4	3	3	36	34260	952	14755	13412	28380	788	12780	11617	33940	943	15446	14040	27980	777	13383	12166
2	6	3	3	36	33120	920	19541	17763	27180	755	16818	15287	32700	908	20693	18810	26660	741	17741	16127
2	8	3	3	36	31960	888	22242	20218	26020	723	19011	17281	31320	870	23424	21293	25220	701	19878	18070
2	4	5	5	36	43060	1196	17553	15956	36200	1006	15387	13986	42540	1182	18274	16611	35680	991	16031	14572
2	6	5	5	36	41240	1146	23068	20968	34180	949	20013	18192	40560	1127	24335	22121	33420	928	21035	19121
2	8	5	5	36	39280	1091	26015	23648	32340	898	22443	20401	38260	1063	27249	24769	31480	874	23515	21375
3	4	1	1	54	33030	612	15773	14338	—	—	—	—	32670	605	16682	15164	—	—	—	—
3	6	1	1	54	32190	596	21066	19149	—	—	—	—	31620	586	22287	20259	—	—	—	—
3	8	1	1	54	31350	581	24098	21905	—	—	—	—	30660	568	25413	23100	—	—	—	—
3	4	1 1/2	1 1/2	54	39600	733	18137	16486	27570	511	13710	12462	39030	723	19024	17293	26850	497	14442	13127
3	6	1 1/2	1 1/2	54	37920	702	23873	21700	26580	492	18186	16531	37170	688	25183	22891	25560	473	18971	17244
3	8	1 1/2	1 1/2	54	36420	674	27044	24583	25680	476	20644	18765	35430	656	28370	25788	24480	453	21393	19446
3	4	2	2	54	46860	868	20629	18752	35310	654	16607	15095	46290	857	21588	19624	34590	641	17399	15816
3	6	2	2	54	44850	831	27123	24655	33540	621	21738	19760	43950	814	28575	25975	32580	603	22797	20722
3	8	2	2	54	42990	796	30703	27909	32100	594	24541	22308	41880	776	32209	29278	30930	573	25583	23255
3	4	3	3	54	51390	952	22132	20118	42570	788	19170	17425	50910	943	23169	21061	41970	777	20075	18248
3	6	3	3	54	49680	920	29311	26644	40770	755	25227	22931	49050	908	31040	28215	39990	741	26612	24190
3	8	3	3	54	47940	888	33363	30327	39030	723	28517	25922	46980	870	35137	31939	37830	701	29818	27104
3	4	5	5	54	64590	1196	26330	23934	54300	1006	23080	20980	63810	1182	27410	24916	53520	991	24046	21858
3	6	5	5	54	61860	1146	34601	31453	51270	949	30019	27287	60840	1127	36503	33181	50130	928	31553	28682
3	8	5	5	54	58920	1091	39023	35472	48510	898	33665	30601	57390	1063	40873	37154	47220	874	35272	32062

ICH18 - AMMONIA & R-22 RATINGS, ENGLISH UNITS (Continued)

FL and RB CIRCUITING					3 Fins Per Inch								4 Fins Per Inch							
					0" ESP				1/2" ESP				0" ESP				1/2" ESP			
					Air Flow		Btuh / °F		Air Flow		Btuh / °F		Air Flow		Btuh / °F		Air Flow		Btuh / °F	
No. Fans	No. Rows	Horsepower		Face Area (ft ²)	CFM	FPM	Wet	Frosted	CFM	FPM	Wet	Frosted	CFM	FPM	Wet	Frosted	CFM	FPM	Wet	Frosted
4	4	1	1	72	44040	612	21031	19117	—	—	—	—	43560	605	22242	20218	—	—	—	—
4	6	1	1	72	42920	596	28088	25532	—	—	—	—	42160	586	29716	27012	—	—	—	—
4	8	1	1	72	41800	581	32130	29206	—	—	—	—	40880	568	33884	30800	—	—	—	—
4	4	1 1/2	1 1/2	72	52800	733	24182	21981	36760	511	18279	16616	52040	723	25365	23057	35800	497	19255	17503
4	6	1 1/2	1 1/2	72	50560	702	31830	28934	35440	492	24248	22041	49560	688	33577	30522	34080	473	25294	22992
4	8	1 1/2	1 1/2	72	48560	674	36058	32777	34240	476	27525	25020	47240	656	37826	34384	32640	453	28524	25928
4	4	2	2	72	62480	868	27506	25003	47080	654	22142	20127	61720	857	28784	26165	46120	641	23199	21088
4	6	2	2	72	59800	831	36164	32873	44720	621	28985	26347	58600	814	38100	34633	43440	603	30396	27630
4	8	2	2	72	57320	796	40938	37213	42800	594	32721	29744	55840	776	42945	39037	41240	573	34111	31007
4	4	3	3	72	68520	952	29510	26825	56760	788	25560	23234	67880	943	30892	28081	55960	777	26767	24331
4	6	3	3	72	66240	920	39081	35525	54360	755	33636	30575	65400	908	41386	37620	53320	741	35482	32253
4	8	3	3	72	63920	888	44485	40436	52040	723	38023	34563	62640	870	46849	42585	50440	701	39757	36139
4	4	5	5	72	86120	1196	35107	31912	72400	1006	30773	27973	85080	1182	36547	33221	71360	991	32062	29144
4	6	5	5	72	82480	1146	46135	41937	68360	949	40026	36383	81120	1127	48671	44242	66840	928	42070	38242
4	8	5	5	72	78560	1091	52030	47296	64680	898	44887	40802	76520	1063	54498	49539	62960	874	47030	42750
5	4	1	1	90	55050	612	26288	23896	—	—	—	—	54450	605	27803	25273	—	—	—	—
5	6	1	1	90	53650	596	35110	31915	—	—	—	—	52700	586	37145	33765	—	—	—	—
5	8	1	1	90	52250	581	40163	36508	—	—	—	—	51100	568	42355	38500	—	—	—	—
5	4	1 1/2	1 1/2	90	66000	733	30228	27477	45950	511	22849	20770	65050	723	31707	28821	44750	497	24069	21879
5	6	1 1/2	1 1/2	90	63200	702	39788	36167	44300	492	30310	27551	61950	688	41972	38152	42600	473	31618	28740
5	8	1 1/2	1 1/2	90	60700	674	45073	40971	42800	476	34406	31275	59050	656	47283	42980	40800	453	35655	32411
5	4	2	2	90	78100	868	34382	31253	58850	654	27678	25159	77150	857	35980	32706	57650	641	28999	26360
5	6	2	2	90	74750	831	45205	41091	55900	621	36231	32934	73250	814	47626	43292	54300	603	37994	34537
5	8	2	2	90	71650	796	51172	46516	53500	594	40902	37180	69800	776	53681	48796	51550	573	42639	38758
5	4	3	3	90	85650	952	36887	33531	70950	788	31950	29042	84850	943	38615	35101	69950	777	33459	30414
5	6	3	3	90	82800	920	48852	44406	67950	755	42045	38219	81750	908	51733	47025	66650	741	44353	40317
5	8	3	3	90	79900	888	55606	50546	65050	723	47528	43203	78300	870	58561	53232	63050	701	49696	45174
5	4	5	5	90	107650	1196	43884	39890	90500	1006	38466	34966	106350	1182	45684	41527	89200	991	40077	36430
5	6	5	5	90	103100	1146	57669	52421	85450	949	50032	45479	101400	1127	60839	55302	83550	928	52588	47803
5	8	5	5	90	98200	1091	65038	59120	80850	898	56108	51002	95650	1063	68122	61923	78700	874	58787	53437

ICH20 - AMMONIA & R-22 RATINGS, ENGLISH UNITS

English Capacities of Colmac ICH Series Refrigeration Equipment, (Generated at 30°F EADB, 0.90 Sens. Heat Ratio)

FL and RB CIRCUITING					3 Fins Per Inch								4 Fins Per Inch							
					0" ESP				1/2" ESP				0" ESP				1/2" ESP			
					No. Fans	No. Rows	Horsepower 60 Hz 50 Hz	Face Area (ft ²)	Air Flow CFM	FPM	Btuh / °F Wet Frosted	Btuh / °F Wet Frosted	Air Flow CFM	FPM	Btuh / °F Wet Frosted	Btuh / °F Wet Frosted	Air Flow CFM	FPM	Btuh / °F Wet Frosted	Btuh / °F Wet Frosted
1	4	1 1/2	1 1/2	20.25	13430	663	6296	5723	—	—	—	—	13250	654	6628	6025	—	—	—	—
1	6	1 1/2	1 1/2	20.25	12950	640	8336	7577	—	—	—	—	12700	627	8803	8002	—	—	—	—
1	8	1 1/2	1 1/2	20.25	12540	619	9497	8633	—	—	—	—	12210	603	9976	9069	—	—	—	—
1	4	2	2	20.25	15870	784	7156	6505	12050	595	5790	5263	15680	774	7507	6824	11810	583	6089	5535
1	6	2	2	20.25	15290	755	9461	8600	11560	571	7642	6947	15020	742	9991	9082	11220	554	8015	7286
1	8	2	2	20.25	14730	727	10746	9768	11130	550	8662	7874	14400	711	11309	10280	10720	529	9034	8212
1	4	3	3	20.25	17310	855	7648	6952	14410	712	6646	6041	17170	848	8030	7299	14230	703	6987	6351
1	6	3	3	20.25	16830	831	10176	9250	13890	686	8794	7993	16620	821	10784	9802	13650	674	9296	8450
1	8	3	3	20.25	16390	809	11660	10599	13430	663	10011	9100	16080	794	12296	11177	13110	647	10531	9573
1	4	5	5	20.25	21800	1077	9115	8286	18400	909	8012	7283	21570	1065	9514	8648	18170	897	8375	7613
1	6	5	5	20.25	20980	1036	12026	10932	17560	867	10510	9553	20660	1020	12704	11548	17200	849	11066	10059
1	8	5	5	20.25	20190	997	13666	12422	16760	828	11860	10781	19750	975	14365	13058	16310	805	12429	11298
2	4	1 1/2	1 1/2	40.5	26860	663	12591	11446	—	—	—	—	26500	654	13256	12050	—	—	—	—
2	6	1 1/2	1 1/2	40.5	25900	640	16671	15154	—	—	—	—	25400	627	17605	16003	—	—	—	—
2	8	1 1/2	1 1/2	40.5	25080	619	18995	17266	—	—	—	—	24420	603	19953	18137	—	—	—	—
2	4	2	2	40.5	31740	784	14313	13010	24100	595	11581	10527	31360	774	15015	13648	23620	583	12178	11070
2	6	2	2	40.5	30580	755	18921	17199	23120	571	15285	13894	30040	742	19983	18164	22440	554	16031	14572
2	8	2	2	40.5	29460	727	21492	19537	22260	550	17325	15748	28800	711	22619	20560	21440	529	18068	16424
2	4	3	3	40.5	34620	855	15295	13903	28820	712	13292	12082	34340	848	16060	14599	28460	703	13974	12702
2	6	3	3	40.5	33660	831	20353	18501	27780	686	17587	15987	33240	821	21567	19605	27300	674	18591	16899
2	8	3	3	40.5	32780	809	23320	21198	26860	663	20023	18201	32160	794	24592	22354	26220	647	21062	19146
2	4	5	5	40.5	43600	1077	18231	16572	36800	909	16025	14566	43140	1065	19029	17297	36340	897	16750	15226
2	6	5	5	40.5	41960	1036	24052	21864	35120	867	21019	19106	41320	1020	25408	23096	34400	849	22132	20118
2	8	5	5	40.5	40380	997	27331	24844	33520	828	23721	21562	39500	975	28730	26116	32620	805	24858	22596
3	4	1 1/2	1 1/2	60.75	40290	663	18887	17168	—	—	—	—	39750	654	19884	18075	—	—	—	—
3	6	1 1/2	1 1/2	60.75	38850	640	25007	22732	—	—	—	—	38100	627	26408	24005	—	—	—	—
3	8	1 1/2	1 1/2	60.75	37620	619	28492	25900	—	—	—	—	36630	603	29929	27206	—	—	—	—
3	4	2	2	60.75	47610	784	21469	19515	36150	595	17371	15790	47040	774	22522	20473	35430	583	18267	16604
3	6	2	2	60.75	45870	755	28382	25799	34680	571	22927	20840	45060	742	29974	27246	33660	554	24046	21858
3	8	2	2	60.75	44190	727	32239	29305	33390	550	25987	23622	43200	711	33928	30840	32160	529	27102	24635
3	4	3	3	60.75	51930	855	22943	20855	43230	712	19938	18124	51510	848	24091	21898	42690	703	20961	19053
3	6	3	3	60.75	50490	831	30529	27751	41670	686	26381	23980	49860	821	32351	29407	40950	674	27887	25349
3	8	3	3	60.75	49170	809	34980	31797	40290	663	30034	27301	48240	794	36888	33532	39330	647	31593	28718
3	4	5	5	60.75	65400	1077	27346	24858	55200	909	24037	21849	64710	1065	28543	25945	54510	897	25125	22838
3	6	5	5	60.75	62940	1036	36079	32796	52680	867	31529	28660	61980	1020	38112	34644	51600	849	33198	30177
3	8	5	5	60.75	60570	997	40997	37266	50280	828	35581	32343	59250	975	43095	39173	48930	805	37287	33894
4	4	1 1/2	1 1/2	81	53720	663	25183	22891	—	—	—	—	53000	654	26512	24100	—	—	—	—
4	6	1 1/2	1 1/2	81	51800	640	33343	30309	—	—	—	—	50800	627	35211	32007	—	—	—	—
4	8	1 1/2	1 1/2	81	50160	619	37990	34533	—	—	—	—	48840	603	39906	36275	—	—	—	—
4	4	2	2	81	63480	784	28625	26020	48200	595	23162	21054	62720	774	30029	27297	47240	583	24356	22139
4	6	2	2	81	61160	755	37843	34399	46240	571	30569	27787	60080	742	39965	36328	44880	554	32062	29144
4	8	2	2	81	58920	727	42985	39073	44520	550	34649	31496	57600	711	45237	41121	42880	529	36136	32847
4	4	3	3	81	69240	855	30590	27807	57640	712	26584	24165	68680	848	32121	29198	56920	703	27948	25405
4	6	3	3	81	67320	831	40705	37001	55560	686	35174	31973	66480	821	43135	39209	54600	674	37182	33799
4	8	3	3	81	65560	809	46640	42396	53720	663	40046	36402	64320	794	49185	44709	52440	647	42125	38291
4	4	5	5	81	87200	1077	36462	33144	73600	909	32049	29133	86280	1065	38057	34594	72680	897	33499	30451
4	6	5	5	81	83920	1036	48105	43727	70240	867	42038	38213	82640	1020	50816	46191	68800	849	44264	40236
4	8	5	5	81	80760	997	54663	49689	67040	828	47441	43124	79000	975	57460	52231	65240	805	49716	45192
5	4	1 1/2	1 1/2	101.25	67150	663	31478	28614	—	—	—	—	66250	654	33140	30124	—	—	—	—
5	6	1 1/2	1 1/2	101.25	64750	640	41679	37886	—	—	—	—	63500	627	44013	40008	—	—	—	—
5	8	1 1/2	1 1/2	101.25	62700	619	47487	43166	—	—	—	—	61050	603	49882	45343	—	—	—	—
5	4	2	2	101.25	79350	784	35782	32525	60250	595	28952	26317	78400	774	37537	34121	59050	583	30444	27674
5	6	2	2	101.25	76450	755	47303	42999	57800	571	38211	34734	75100	742	49956	45410	56100	554	40077	36430
5	8	2	2	101.25	73650	727	53731	48842	55650	550	43312	39370	72000	711	56546	51401	53600	529	45169	41059
5	4	3	3	101.25	86550	855	38238	34758	72050	712	33230	30206	85850	848	40151	36497	71150	703	34935	31756
5	6	3	3	101.25	84150	831	50882	46251	69450	686	43968	39967	83100	821	53918	49012	68250	674	46478	42248
5	8	3	3	101.25	81950	809	58300	52995	67150	663	50057	45502	80400	794	61481	55886	65550	647	52656	47864
5	4	5	5	101.25	109000	1077	45577	41430	92000	909	40061	36416	107850	1065	47571	43242	90850	897	41874	38064
5	6	5	5	101.25	104900	1036	60131	54659	87800	867	52548	47766	103300	1020	63520	57739	86000	849	55330	50295
5	8	5	5	101.25	100950	997	68329	62111	83800	828	59301	53905	98750	975	71825	65289	81550	805	62146	56490

ICH22 - AMMONIA & R-22 RATINGS, ENGLISH UNITS

English Capacities of Colmac ICH Series Refrigeration Equipment, (Generated at 30°F EADB, 0.90 Sens. Heat Ratio)

FL and RB CIRCUITING					3 Fins Per Inch								4 Fins Per Inch							
					0" ESP				1/2" ESP				0" ESP				1/2" ESP			
					No. Fans	No. Rows	Horsepower		Face Area (ft ²)	Air Flow		Btuh / °F		Air Flow		Btuh / °F		Air Flow		Btuh / °F
60 Hz	50 Hz	CFM	FPM	Wet			Frosted	CFM		FPM	Wet	Frosted	CFM	FPM	Wet	Frosted	CFM	FPM	Wet	Frosted
1	4	2	2	22.5	20450	909	8904	8094	14000	622	6660	6054	20140	895	9289	8443	13630	606	6957	6324
1	6	2	2	22.5	19280	857	11572	10519	13200	587	8671	7882	18810	836	12149	11044	12710	565	9037	8215
1	8	2	2	22.5	18260	812	12982	11801	12550	558	9735	8849	17640	784	13531	12300	11970	532	10076	9159
1	4	3	3	22.5	22920	1019	9712	8828	17450	776	7888	7170	22570	1003	10109	9190	17100	760	8227	7478
1	6	3	3	22.5	21650	962	12635	11485	16410	729	10238	9306	21190	942	13290	12081	15980	710	10744	9766
1	8	3	3	22.5	20530	912	14194	12903	15560	692	11487	10442	20010	889	14886	13531	14960	665	11941	10854
1	4	5	5	22.5	25690	1142	10591	9627	21710	965	9319	8471	25410	1129	11042	10037	21420	952	9724	8839
1	6	5	5	22.5	24630	1095	13930	12663	20620	916	12177	11069	24210	1076	14692	13355	20200	898	12820	11653
1	8	5	5	22.5	23590	1048	15775	14339	19620	872	13713	12465	23040	1024	16559	15052	19120	850	14382	13073
2	4	2	2	45	40900	909	17809	16188	28000	622	13319	12107	40280	895	18577	16887	27260	606	13915	12648
2	6	2	2	45	38560	857	23144	21038	26400	587	17342	15764	37620	836	24299	22088	25420	565	18075	16430
2	8	2	2	45	36520	812	25964	23601	25100	558	19470	17698	35280	784	27062	24599	23940	532	20151	18317
2	4	3	3	45	45840	1019	19424	17656	34900	776	15776	14341	45140	1003	20219	18379	34200	760	16454	14957
2	6	3	3	45	43300	962	25271	22971	32820	729	20476	18613	42380	942	26580	24161	31960	710	21488	19532
2	8	3	3	45	41060	912	28389	25805	31120	692	22974	20883	40020	889	29771	27062	29920	665	23881	21708
2	4	5	5	45	51380	1142	21182	19254	43420	965	18639	16942	50820	1129	22084	20074	42840	952	19448	17678
2	6	5	5	45	49260	1095	27861	25326	41240	916	24354	22138	48420	1076	29384	26710	40400	898	25640	23306
2	8	5	5	45	47180	1048	31550	28679	39240	872	27426	24930	46080	1024	33119	30105	38240	850	28764	26146
3	4	2	2	67.5	61350	909	26713	24282	42000	622	19979	18161	60420	895	27866	25330	40890	606	20872	18973
3	6	2	2	67.5	57840	857	34717	31557	39600	587	26013	23645	56430	836	36448	33131	38130	565	27112	24645
3	8	2	2	67.5	54780	812	38946	35402	37650	558	29205	26547	52920	784	40593	36899	35910	532	30227	27476
3	4	3	3	67.5	68760	1019	29135	26484	52350	776	23664	21511	67710	1003	30328	27569	51300	760	24681	22435
3	6	3	3	67.5	64950	962	37906	34456	49230	729	30714	27919	63570	942	39870	36242	47940	710	32231	29298
3	8	3	3	67.5	61590	912	42583	38708	46680	692	34460	31325	60030	889	44657	40593	44880	665	35822	32562
3	4	5	5	67.5	77070	1142	31773	28881	65130	965	27958	25414	76230	1129	33126	30111	64260	952	29172	26517
3	6	5	5	67.5	73890	1095	41791	37988	61860	916	36531	33207	72630	1076	44076	40065	60600	898	38459	34960
3	8	5	5	67.5	70770	1048	47325	43018	58860	872	41139	37395	69120	1024	49678	45157	57360	850	43146	39220
4	4	2	2	90	81800	909	35617	32376	56000	622	26638	24214	80560	895	37155	33774	54520	606	27829	25297
4	6	2	2	90	77120	857	46289	42077	52800	587	34683	31527	75240	836	48597	44175	50840	565	36149	32860
4	8	2	2	90	73040	812	51928	47203	50200	558	38940	35397	70560	784	54123	49198	47880	532	40302	36635
4	4	3	3	90	91680	1019	38847	35312	69800	776	31552	28681	90280	1003	40438	36758	68400	760	32908	29913
4	6	3	3	90	86600	962	50541	45942	65640	729	40953	37226	84760	942	53161	48323	63920	710	42975	39064
4	8	3	3	90	82120	912	56778	51611	62240	692	45947	41766	80040	889	59543	54124	59840	665	47763	43416
4	4	5	5	90	102760	1142	42363	38508	86840	965	37277	33885	101640	1129	44168	40148	85680	952	38895	35356
4	6	5	5	90	98520	1095	55722	50651	82480	916	48709	44276	96840	1076	58769	53421	80800	898	51279	46613
4	8	5	5	90	94360	1048	63100	57357	78480	872	54851	49860	92160	1024	66237	60210	76480	850	57528	52293
5	4	2	2	112.5	102250	909	44522	40470	70000	622	33298	30268	100700	895	46443	42217	68150	606	34787	31621
5	6	2	2	112.5	96400	857	57861	52596	66000	587	43354	39409	94050	836	60747	55219	63550	565	45186	41074
5	8	2	2	112.5	91300	812	64910	59004	62750	558	48675	44246	88200	784	67654	61498	59850	532	50378	45793
5	4	3	3	112.5	114600	1019	48559	44140	87250	776	39441	35851	112850	1003	50547	45948	85500	760	41135	37391
5	6	3	3	112.5	108250	962	63176	57427	82050	729	51191	46532	105950	942	66451	60404	79900	710	53719	48830
5	8	3	3	112.5	102650	912	70972	64514	77800	692	57434	52208	100050	889	74428	67655	74800	665	59703	54270
5	4	5	5	112.5	128450	1142	52954	48135	108550	965	46596	42356	127050	1129	55210	50186	107100	952	48619	44195
5	6	5	5	112.5	123150	1095	69652	63314	103100	916	60886	55345	121050	1076	73461	66776	101000	898	64099	58266
5	8	5	5	112.5	117950	1048	78874	71697	98100	872	68564	62325	115200	1024	82797	75262	95600	850	71910	65366

ICH28 - AMMONIA & R-22 RATINGS, ENGLISH UNITS

English Capacities of Colmac ICH Series Refrigeration Equipment, (Generated at 30°F EADB, 0.90 Sens. Heat Ratio)

FL and RB CIRCUITING					3 Fins Per Inch								4 Fins Per Inch							
					0" ESP				1/2" ESP				0" ESP				1/2" ESP			
					No. Fans	No. Rows	Horsepower		Face Area (ft ²)	Air Flow		Btuh / °F		Air Flow		Btuh / °F		Air Flow		Btuh / °F
60 Hz	50 Hz	CFM	FPM	Wet			Frosted	CFM		FPM	Wet	Frosted	CFM	FPM	Wet	Frosted	CFM	FPM	Wet	Frosted
1	4	3	3	28.13	23570	838	10462	9510	18200	647	8580	7799	23320	829	10970	9971	17880	636	9012	8192
1	6	3	3	28.13	22710	807	13827	12569	17420	619	11298	10270	22280	792	14583	13256	16980	604	11879	10798
1	8	3	3	28.13	21820	776	15679	14252	16550	588	12682	11528	21300	757	16476	14976	16210	576	13388	12170
1	4	5	5	28.13	26250	933	11358	10324	22350	795	10046	9131	26030	926	11903	10819	22090	785	10537	9579
1	6	5	5	28.13	25430	904	15067	13696	21560	767	13292	12082	25130	894	15967	14514	21210	754	14051	12773
1	8	5	5	28.13	24670	877	17218	15651	20810	740	15121	13745	24260	863	18182	16527	20330	723	15904	14456
1	4	7 1/2	7 1/2	28.13	29490	1049	12409	11280	26180	931	11335	10303	29270	1041	12988	11806	25960	923	11879	10798
1	6	7 1/2	7 1/2	28.13	28680	1020	16504	15002	25630	911	15157	13777	28360	1008	17489	15898	25050	891	15929	14479
1	8	7 1/2	7 1/2	28.13	27880	991	18897	17177	24610	875	17186	15622	27450	976	19962	18145	24230	862	18165	16512
2	4	3	3	56.25	47140	838	20924	19020	36400	647	17160	15599	46640	829	21939	19943	35760	636	18024	16384
2	6	3	3	56.25	45420	807	27655	25138	34840	619	22596	20540	44560	792	29165	26511	33960	604	23758	21596
2	8	3	3	56.25	43640	776	31358	28505	33100	588	25364	23056	42600	757	32952	29953	32420	576	26776	24339
2	4	5	5	56.25	52500	933	22716	20649	44700	795	20091	18263	52060	926	23805	21639	44180	785	21075	19157
2	6	5	5	56.25	50860	904	30134	27391	43120	767	26584	24165	50260	894	31935	29029	42420	754	28103	25546
2	8	5	5	56.25	49340	877	34436	31303	41620	740	30243	27490	48520	863	36364	33055	40660	723	31807	28913
2	4	7 1/2	7 1/2	56.25	58980	1049	24819	22560	52360	931	22669	20607	58540	1041	25975	23611	51920	923	23757	21596
2	6	7 1/2	7 1/2	56.25	57360	1020	33007	30004	51260	911	30313	27555	56720	1008	34979	31796	50100	891	31858	28959
2	8	7 1/2	7 1/2	56.25	55760	991	37794	34355	49220	875	34373	31245	54900	976	39924	36291	48460	862	36330	33024
3	4	3	3	84.375	70710	838	31386	28530	54600	647	25740	23398	69960	829	32909	29914	53640	636	27035	24575
3	6	3	3	84.375	68130	807	41482	37707	52260	619	33894	30809	66840	792	43748	39767	50940	604	35638	32395
3	8	3	3	84.375	65460	776	47038	42757	49650	588	38047	34584	63900	757	49427	44929	48630	576	40164	36509
3	4	5	5	84.375	78750	933	34073	30973	67050	795	30137	27394	78090	926	35708	32458	66270	785	31612	28736
3	6	5	5	84.375	76290	904	45200	41087	64680	767	39876	36247	75390	894	47902	43543	63630	754	42154	38318
3	8	5	5	84.375	74010	877	51655	46954	62430	740	45364	41236	72780	863	54546	49582	60990	723	47711	43369
3	4	7 1/2	7 1/2	84.375	88470	1049	37228	33840	78540	931	34004	30910	87810	1041	38963	35417	77880	923	35636	32393
3	6	7 1/2	7 1/2	84.375	86040	1020	49511	45006	76890	911	45470	41332	85080	1008	52468	47693	75150	891	47787	43438
3	8	7 1/2	7 1/2	84.375	83640	991	56691	51532	73830	875	51559	46867	82350	976	59886	54436	72690	862	54495	49536
4	4	3	3	112.5	94280	838	41848	38040	72800	647	34320	31197	93280	829	43878	39885	71520	636	36047	32767
4	6	3	3	112.5	90840	807	55309	50276	69680	619	45192	41079	89120	792	58331	53023	67920	604	47517	43193
4	8	3	3	112.5	87280	776	62717	57009	66200	588	50729	46113	85200	757	65903	59906	64840	576	53552	48679
4	4	5	5	112.5	105000	933	45431	41297	89400	795	40182	36526	104120	926	47610	43278	88360	785	42150	38314
4	6	5	5	112.5	101720	904	60267	54783	86240	767	53168	48329	100520	894	63869	58057	84840	754	56206	51091
4	8	5	5	112.5	98680	877	68873	62605	83240	740	60485	54981	97040	863	72728	66110	81320	723	63614	57825
4	4	7 1/2	7 1/2	112.5	117960	1049	49637	45120	104720	931	45339	41213	117080	1041	51950	47223	103840	923	47515	43191
4	6	7 1/2	7 1/2	112.5	114720	1020	66015	60007	102520	911	60626	55109	113440	1008	69957	63591	100200	891	63716	57918
4	8	7 1/2	7 1/2	112.5	111520	991	75588	68709	98440	875	68745	62489	109800	976	79848	72582	96920	862	72660	66048

ICH11 - AMMONIA & R-22 RATINGS, ENGLISH UNITS

English Capacities of Colmac ICH Series Refrigeration Equipment, (Generated at 30°F EADB, 0.90 Sens. Heat Ratio)

DX and RT CIRCUITING					4 FPI - 0" ESP						4 FPI - 1/2" ESP					
					Air Flow		DX		RT		Air Flow		DX		RT	
No. Fans	No. Rows	Horsepower 60 Hz	Horsepower 50 Hz	Face Area (ft ²)	CFM	FPM	Wet	Frosted	Wet	Frosted	CFM	FPM	Wet	Frosted	Wet	Frosted
1	4	3/4	3/4	11.25	7590	675	3366	3060	3766	3424	—	—	—	—	—	—
1	6	3/4	3/4	11.25	7070	628	4055	3686	4898	4452	—	—	—	—	—	—
1	8	3/4	3/4	11.25	6640	590	4683	4257	5453	4957	—	—	—	—	—	—
1	4	1	1	11.25	8920	793	3806	3460	4245	3858	5860	521	2761	2510	3113	2830
1	6	1	1	11.25	8270	735	4582	4165	5513	5012	5470	486	3311	3010	4034	3666
1	8	1	1	11.25	7720	686	5278	4797	6115	5559	5200	462	3842	3492	4524	4112
1	4	1 1/2	1 1/2	11.25	10410	925	4280	3890	4760	4327	6950	618	3147	2860	3529	3208
1	6	1 1/2	1 1/2	11.25	9580	852	5134	4667	6160	5599	6320	562	3713	3375	4500	4090
1	8	1 1/2	1 1/2	11.25	8870	788	5885	5349	6794	6176	5870	522	4241	3855	4964	4512
1	4	2	2	11.25	10980	976	4456	4051	4953	4502	7490	666	3332	3029	3730	3390
1	6	2	2	11.25	10020	891	5314	4831	6372	5792	6810	605	3938	3580	4761	4328
1	8	2	2	11.25	9170	815	6040	5490	6968	6334	6320	562	4501	4092	5252	4774
1	4	3	3	11.25	13950	1240	5341	4855	5919	5381	11940	1061	4748	4316	5271	4792
1	6	3	3	11.25	13060	1161	6510	5917	7778	7070	11110	988	5753	5229	6887	6260
1	8	3	3	11.25	12200	1084	7533	6847	8646	7859	10400	924	6660	6054	7664	6967
2	4	3/4	3/4	22.5	15180	675	6732	6119	7533	6847	—	—	—	—	—	—
2	6	3/4	3/4	22.5	14140	628	8111	7373	9796	8904	—	—	—	—	—	—
2	8	3/4	3/4	22.5	13280	590	9366	8513	10906	9914	—	—	—	—	—	—
2	4	1	1	22.5	17840	793	7612	6920	8489	7717	11720	521	5522	5019	6226	5659
2	6	1	1	22.5	16540	735	9164	8330	11027	10023	10940	486	6622	6019	8067	7333
2	8	1	1	22.5	15440	686	10555	9595	12231	11118	10400	462	7683	6984	9048	8224
2	4	1 1/2	1 1/2	22.5	20820	925	8560	7781	9521	8654	13900	618	6294	5721	7059	6416
2	6	1 1/2	1 1/2	22.5	19160	852	10267	9333	12319	11198	12640	562	7426	6751	9000	8181
2	8	1 1/2	1 1/2	22.5	17740	788	11770	10699	13589	12352	11740	522	8482	7710	9927	9024
2	4	2	2	22.5	21960	976	8912	8101	9906	9004	14980	666	6664	6057	7460	6781
2	6	2	2	22.5	20040	891	10629	9661	12743	11584	13620	605	7876	7159	9522	8656
2	8	2	2	22.5	18340	815	12079	10980	13936	12667	12640	562	9002	8183	10503	9547
2	4	3	3	22.5	27900	1240	10681	9709	11839	10761	23880	1061	9496	8632	10543	9584
2	6	3	3	22.5	26120	1161	13019	11835	15556	14140	22220	988	11505	10458	13774	12520
2	8	3	3	22.5	24400	1084	15065	13694	17292	15718	20800	924	13320	12108	15328	13933
3	4	3/4	3/4	33.75	22770	675	10098	9179	11299	10271	—	—	—	—	—	—
3	6	3/4	3/4	33.75	21210	628	12166	11059	14694	13357	—	—	—	—	—	—
3	8	3/4	3/4	33.75	19920	590	14048	12770	16359	14871	—	—	—	—	—	—
3	4	1	1	33.75	26760	793	11419	10380	12734	11575	17580	521	8282	7529	9339	8489
3	6	1	1	33.75	24810	735	13746	12496	16540	15035	16410	486	9933	9029	12101	10999
3	8	1	1	33.75	23160	686	15833	14392	18346	16676	15600	462	11525	10476	13571	12336
3	4	1 1/2	1 1/2	33.75	31230	925	12839	11671	14281	12981	20850	618	9440	8581	10588	9625
3	6	1 1/2	1 1/2	33.75	28740	852	15401	14000	18479	16797	18960	562	11140	10126	13499	12271
3	8	1 1/2	1 1/2	33.75	26610	788	17655	16048	20383	18529	17610	522	12723	11565	14891	13536
3	4	2	2	33.75	32940	976	13369	12152	14858	13506	22470	666	9996	9086	11189	10171
3	6	2	2	33.75	30060	891	15943	14492	19115	17375	20430	605	11814	10739	14284	12984
3	8	2	2	33.75	27510	815	18119	16470	20903	19001	18960	562	13503	12275	15755	14321
3	4	3	3	33.75	41850	1240	16022	14564	17758	16142	35820	1061	14244	12948	15814	14375
3	6	3	3	33.75	39180	1161	19529	17752	23334	21210	33330	988	17258	15688	20660	18780
3	8	3	3	33.75	36600	1084	22598	20541	25938	23578	31200	924	19980	18162	22992	20900

ICH11 - AMMONIA & R-22 RATINGS, ENGLISH UNITS, (Continued)

DX and RT CIRCUITING				4 FPI - 0" ESP						4 FPI - 1/2" ESP						
				Air Flow		DX		RT		Air Flow		DX		RT		
No. Fans	No. Rows	Horsepower		Face Area (ft ²)	CFM	FPM	Wet	Frosted	Wet	Frosted	CFM	FPM	Wet	Frosted	Wet	Frosted
		60 Hz	50 Hz													
4	4	3/4	3/4	45	30360	675	13463	12238	15066	13695	—	—	—	—	—	—
4	6	3/4	3/4	45	28280	628	16221	14745	19592	17809	—	—	—	—	—	—
4	8	3/4	3/4	45	26560	590	18731	17027	21812	19827	—	—	—	—	—	—
4	4	1	1	45	35680	793	15225	13839	16979	15434	23440	521	11043	10038	12452	11319
4	6	1	1	45	33080	735	18329	16661	22053	20046	21880	486	13244	12038	16134	14666
4	8	1	1	45	30880	686	21110	19189	24461	22235	20800	462	15367	13968	18095	16449
4	4	1 1/2	1 1/2	45	41640	925	17119	15561	19041	17309	27800	618	12587	11442	14117	12833
4	6	1 1/2	1 1/2	45	38320	852	20535	18666	24639	22397	25280	562	14853	13501	17999	16361
4	8	1 1/2	1 1/2	45	35480	788	23540	21398	27178	24705	23480	522	16964	15420	19855	18048
4	4	2	2	45	43920	976	17825	16203	19811	18008	29960	666	13328	12115	14919	13561
4	6	2	2	45	40080	891	21257	19323	25486	23167	27240	605	15752	14318	19045	17312
4	8	2	2	45	36680	815	24159	21960	27871	25335	25280	562	18005	16366	21006	19095
4	4	3	3	45	55800	1240	21362	19418	23677	21523	47760	1061	18992	17264	21086	19167
4	6	3	3	45	52240	1161	26039	23669	31112	28281	44440	988	23011	20917	27547	25041
4	8	3	3	45	48800	1084	30130	27389	34584	31437	41600	924	26640	24215	30656	27866
5	4	3/4	3/4	56.25	37950	675	16829	15298	18832	17119	—	—	—	—	—	—
5	6	3/4	3/4	56.25	35350	628	20277	18431	24490	22261	—	—	—	—	—	—
5	8	3/4	3/4	56.25	33200	590	23414	21283	27265	24784	—	—	—	—	—	—
5	4	1	1	56.25	44600	793	19031	17299	21223	19292	29300	521	13804	12548	15565	14149
5	6	1	1	56.25	41350	735	22911	20826	27567	25058	27350	486	16554	15048	20168	18332
5	8	1	1	56.25	38600	686	26388	23986	30576	27794	26000	462	19209	17461	22619	20561
5	4	1 1/2	1 1/2	56.25	52050	925	21399	19452	23802	21636	34750	618	15734	14302	17647	16041
5	6	1 1/2	1 1/2	56.25	47900	852	25669	23333	30798	27996	31600	562	18566	16877	22499	20452
5	8	1 1/2	1 1/2	56.25	44350	788	29425	26747	33972	30881	29350	522	21205	19275	24818	22560
5	4	2	2	56.25	54900	976	22281	20253	24764	22510	37450	666	16660	15144	18649	16952
5	6	2	2	56.25	50100	891	26571	24153	31858	28959	34050	605	19690	17898	23806	21640
5	8	2	2	56.25	45850	815	30198	27450	34839	31669	31600	562	22506	20458	26258	23868
5	4	3	3	56.25	69750	1240	26703	24273	29596	26903	59700	1061	23740	21580	26357	23959
5	6	3	3	56.25	65300	1161	32548	29586	38890	35351	55550	988	28764	26146	34434	31301
5	8	3	3	56.25	61000	1084	37663	34236	43230	39296	52000	924	33299	30269	38320	34833
6	4	3/4	3/4	67.5	45540	675	20195	18357	22599	20542	—	—	—	—	—	—
6	6	3/4	3/4	67.5	42420	628	24332	22118	29388	26713	—	—	—	—	—	—
6	8	3/4	3/4	67.5	39840	590	28097	25540	32718	29741	—	—	—	—	—	—
6	4	1	1	67.5	53520	793	22837	20759	25468	23150	35160	521	16565	15057	18678	16978
6	6	1	1	67.5	49620	735	27493	24991	33080	30070	32820	486	19865	18058	24201	21999
6	8	1	1	67.5	46320	686	31665	28784	36692	33353	31200	462	23050	20953	27143	24673
6	4	1 1/2	1 1/2	67.5	62460	925	25679	23342	28562	25963	41700	618	18881	17163	21176	19249
6	6	1 1/2	1 1/2	67.5	57480	852	30802	27999	36958	33595	37920	562	22279	20252	26999	24542
6	8	1 1/2	1 1/2	67.5	53220	788	35310	32096	40767	37057	35220	522	25446	23130	29782	27072
6	4	2	2	67.5	65880	976	26737	24304	29717	27012	44940	666	19992	18172	22379	20342
6	6	2	2	67.5	60120	891	31886	28984	38230	34751	40860	605	23628	21478	28567	25968
6	8	2	2	67.5	55020	815	36238	32940	41807	38002	37920	562	27007	24549	31510	28642
6	4	3	3	67.5	83700	1240	32044	29128	35516	32284	71640	1061	28489	25896	31629	28751
6	6	3	3	67.5	78360	1161	39058	35504	46668	42421	66660	988	34516	31375	41321	37561
6	8	3	3	67.5	73200	1084	45196	41083	51876	47155	62400	924	39959	36323	45984	41799

ICH18 - AMMONIA & R-22 RATINGS, ENGLISH UNITS

English Capacities of Colmac ICH Series Refrigeration Equipment, (Generated at 30°F EADB, 0.90 Sens. Heat Ratio)

DX and RT CIRCUITING					4 FPI - 0" ESP						4 FPI - 1/2" ESP					
					Air Flow		DX		RT		Air Flow		DX		RT	
No. Fans	No. Rows	Horsepower		Face Area (ft ²)	CFM	FPM	Wet	Frosted	Wet	Frosted	CFM	FPM	Wet	Frosted	Wet	Frosted
1	4	1	1	18	10730	596	4899	4453	5500	5000	—	—	—	—	—	—
1	6	1	1	18	10340	574	6047	5496	7322	6656	—	—	—	—	—	—
1	8	1	1	18	9990	555	7132	6483	8325	7568	—	—	—	—	—	—
1	4	1 1/2	1 1/2	18	12690	705	5569	5062	6226	5659	8820	490	4214	3831	4763	4329
1	6	1 1/2	1 1/2	18	11970	665	6782	6164	8179	7434	8380	466	5116	4651	6245	5676
1	8	1 1/2	1 1/2	18	11350	631	7897	7179	9175	8340	8050	447	5982	5437	7057	6415
1	4	2	2	18	14990	833	6321	5746	7043	6402	11210	623	5066	4605	5681	5164
1	6	2	2	18	14090	783	7697	6997	9249	8408	10510	584	6125	5567	7413	6738
1	8	2	2	18	13320	740	8960	8145	10361	9418	9950	553	7109	6462	8300	7544
1	4	3	3	18	16600	922	6830	6209	7598	6906	13630	757	5880	5345	6564	5966
1	6	3	3	18	15760	876	8392	7628	10064	9148	12790	711	7141	6491	8598	7816
1	8	3	3	18	14940	830	9801	8909	11302	10274	12000	667	8254	7502	9572	8701
1	4	5	5	18	20610	1145	8046	7313	8925	8113	17130	952	6995	6358	7777	7069
1	6	5	5	18	19170	1065	9752	8864	11663	10602	15870	882	8437	7669	10117	9196
1	8	5	5	18	17930	996	11289	10261	12974	11793	14810	823	9734	8848	11228	10206
2	4	1	1	36	21460	596	9798	8907	11001	10000	—	—	—	—	—	—
2	6	1	1	36	20680	574	12093	10993	14644	13312	—	—	—	—	—	—
2	8	1	1	36	19980	555	14264	12966	16650	15135	—	—	—	—	—	—
2	4	1 1/2	1 1/2	36	25380	705	11138	10124	12451	11318	17640	490	8428	7661	9525	8658
2	6	1 1/2	1 1/2	36	23940	665	13563	12329	16357	14869	16760	466	10233	9301	12489	11353
2	8	1 1/2	1 1/2	36	22700	631	15795	14357	18350	16680	16100	447	11964	10875	14114	12830
2	4	2	2	36	29980	833	12643	11492	14086	12805	22420	623	10132	9210	11361	10327
2	6	2	2	36	28180	783	15394	13993	18499	16815	21020	584	12249	11135	14826	13477
2	8	2	2	36	26640	740	17920	16289	20722	18836	19900	553	14218	12924	16599	15089
2	4	3	3	36	33200	922	13660	12417	15195	13812	27260	757	11761	10691	13127	11933
2	6	3	3	36	31520	876	16783	15256	20128	18296	25580	711	14281	12982	17196	15631
2	8	3	3	36	29880	830	19601	17818	22605	20548	24000	667	16507	15005	19144	17402
2	4	5	5	36	41220	1145	16091	14627	17849	16225	34260	952	13990	12717	15554	14139
2	6	5	5	36	38340	1065	19504	17729	23326	21204	31740	882	16873	15338	20234	18392
2	8	5	5	36	35860	996	22578	20523	25948	23587	29620	823	19468	17697	22456	20412
3	4	1	1	54	32190	596	14697	13360	16501	14999	—	—	—	—	—	—
3	6	1	1	54	31020	574	18140	16489	21966	19967	—	—	—	—	—	—
3	8	1	1	54	29970	555	21396	19449	24975	22703	—	—	—	—	—	—
3	4	1 1/2	1 1/2	54	38070	705	16707	15187	18677	16977	26460	490	12642	11492	14288	12987
3	6	1 1/2	1 1/2	54	35910	665	20345	18493	24536	22303	25140	466	15349	13952	18734	17029
3	8	1 1/2	1 1/2	54	34050	631	23692	21536	27525	25021	24150	447	17945	16312	21171	19245
3	4	2	2	54	44970	833	18964	17238	21130	19207	33630	623	15198	13815	17042	15491
3	6	2	2	54	42270	783	23091	20990	27748	25223	31530	584	18374	16702	22239	20215
3	8	2	2	54	39960	740	26880	24434	31083	28254	29850	553	21327	19386	24899	22633
3	4	3	3	54	49800	922	20491	18626	22793	20718	40890	757	17641	16036	19691	17899
3	6	3	3	54	47280	876	25175	22884	30192	27445	38370	711	21422	19472	25794	23447
3	8	3	3	54	44820	830	29402	26726	33907	30821	36000	667	24761	22507	28716	26103
3	4	5	5	54	61830	1145	24137	21940	26774	24338	51390	952	20984	19075	23331	21208
3	6	5	5	54	57510	1065	29256	26593	34990	31805	47610	882	25310	23007	30351	27589
3	8	5	5	54	53790	996	33866	30784	38922	35380	44430	823	29203	26545	33683	30618

ICH18 - AMMONIA & R-22 RATINGS, ENGLISH UNITS, (Continued)

DX and RT CIRCUITING					4 FPI - 0" ESP						4 FPI - 1/2" ESP					
					Air Flow		DX		RT		Air Flow		DX		RT	
No. Fans	No. Rows	Horsepower		Face Area (ft ²)	CFM	FPM	Wet	Frosted	Wet	Frosted	CFM	FPM	Wet	Frosted	Wet	Frosted
4	4	1	1	72	42920	596	19597	17813	22001	19999	—	—	—	—	—	—
4	6	1	1	72	41360	574	24186	21985	29289	26623	—	—	—	—	—	—
4	8	1	1	72	39960	555	28528	25932	33300	30270	—	—	—	—	—	—
4	4	1 1/2	1 1/2	72	50760	705	22276	20249	24902	22636	35280	490	16856	15322	19050	17317
4	6	1 1/2	1 1/2	72	47880	665	27126	24658	32714	29737	33520	466	20465	18603	24978	22705
4	8	1 1/2	1 1/2	72	45400	631	31590	28715	36701	33361	32200	447	23927	21750	28228	25660
4	4	2	2	72	59960	833	25286	22985	28173	25609	44840	623	20264	18420	22722	20655
4	6	2	2	72	56360	783	30788	27986	36997	33631	42040	584	24499	22269	29652	26954
4	8	2	2	72	53280	740	35840	32579	41444	37673	39800	553	28436	25848	33199	30178
4	4	3	3	72	66400	922	27321	24835	30390	27625	54520	757	23522	21381	26255	23866
4	6	3	3	72	63040	876	33567	30512	40256	36593	51160	711	28562	25963	34392	31263
4	8	3	3	72	59760	830	39203	35635	45209	41095	48000	667	33014	30010	38288	34804
4	4	5	5	72	82440	1145	32182	29254	35699	32450	68520	952	27979	25433	31108	28277
4	6	5	5	72	76680	1065	39008	35458	46653	42407	63480	882	33747	30676	40468	36785
4	8	5	5	72	71720	996	45155	41046	51896	47174	59240	823	38937	35393	44911	40824
5	4	1	1	90	53650	596	24496	22267	27501	24999	—	—	—	—	—	—
5	6	1	1	90	51700	574	30233	27481	36611	33279	—	—	—	—	—	—
5	8	1	1	90	49950	555	35660	32415	41626	37838	—	—	—	—	—	—
5	4	1 1/2	1 1/2	90	63450	705	27845	25311	31128	28295	44100	490	21070	19153	23813	21646
5	6	1 1/2	1 1/2	90	59850	665	33908	30822	40893	37172	41900	466	25581	23254	31223	28381
5	8	1 1/2	1 1/2	90	56750	631	39487	35894	45876	41701	40250	447	29909	27187	35286	32075
5	4	2	2	90	74950	833	31607	28731	35216	32011	56050	623	25330	23025	28403	25818
5	6	2	2	90	70450	783	38485	34983	46247	42038	52550	584	30623	27836	37065	33692
5	8	2	2	90	66600	740	44800	40724	51805	47091	49750	553	35545	32310	41498	37722
5	4	3	3	90	83000	922	34151	31043	37988	34531	68150	757	29402	26727	32819	29832
5	6	3	3	90	78800	876	41958	38140	50320	45741	63950	711	35703	32454	42990	39078
5	8	3	3	90	74700	830	49003	44544	56512	51369	60000	667	41268	37512	47860	43504
5	4	5	5	90	103050	1145	40228	36567	44623	40563	85650	952	34974	31791	38885	35347
5	6	5	5	90	95850	1065	48759	44322	58316	53009	79350	882	42183	38345	50584	45981
5	8	5	5	90	89650	996	56444	51307	64870	58967	74050	823	48671	44242	56139	51030

ICH20 - AMMONIA & R-22 RATINGS, ENGLISH UNITS

English Capacities of Colmac ICH Series Refrigeration Equipment, (Generated at 30°F EADB, 0.90 Sens. Heat Ratio)

DX and RT CIRCUITING					4 FPI - 0" ESP						4 FPI - 1/2" ESP					
					Btuh / F°						Btuh / F°					
No. Fans	No. Rows	Horsepower		Face Area (ft ²)	Air Flow		DX		RT		Air Flow		DX		RT	
		60 Hz	50 Hz		CFM	FPM	Wet	Frosted	Wet	Frosted	CFM	FPM	Wet	Frosted	Wet	Frosted
1	4	1 1/2	1 1/2	20.25	12990	641	5830	5299	6532	5937	—	—	—	—	—	—
1	6	1 1/2	1 1/2	20.25	12380	611	7144	6494	8635	7849	—	—	—	—	—	—
1	8	1 1/2	1 1/2	20.25	11830	584	8360	7599	9739	8853	—	—	—	—	—	—
1	4	2	2	20.25	15330	757	6614	6012	7383	6711	11560	571	5332	4847	5994	5448
1	6	2	2	20.25	14540	718	8099	7362	9749	8862	10940	540	6480	5891	7864	7148
1	8	2	2	20.25	13850	684	9475	8613	10980	9981	10440	516	7560	6872	8853	8047
1	4	3	3	20.25	16860	833	7110	6463	7922	7201	13930	688	6149	5589	6878	6252
1	6	3	3	20.25	16190	800	8802	8001	10573	9611	13280	656	7547	6860	9105	8276
1	8	3	3	20.25	15490	765	10345	9404	11953	10865	12580	621	8780	7981	10206	9277
1	4	5	5	20.25	20990	1037	8395	7631	9323	8475	17630	871	7356	6686	8189	7444
1	6	5	5	20.25	19810	978	10280	9345	12308	11188	16460	813	8915	8104	10705	9731
1	8	5	5	20.25	18710	924	11983	10892	13790	12535	15500	765	10350	9409	11959	10870
2	4	1 1/2	1 1/2	40.5	25980	641	11659	10598	13064	11875	—	—	—	—	—	—
2	6	1 1/2	1 1/2	40.5	24760	611	14287	12987	17269	15698	—	—	—	—	—	—
2	8	1 1/2	1 1/2	40.5	23660	584	16720	15199	19478	17706	—	—	—	—	—	—
2	4	2	2	40.5	30660	757	13229	12025	14766	13422	23120	571	10663	9693	11987	10897
2	6	2	2	40.5	29080	718	16197	14723	19499	17724	21880	540	12961	11782	15727	14296
2	8	2	2	40.5	27700	684	18949	17225	21960	19961	20880	516	15120	13744	17706	16095
2	4	3	3	40.5	33720	833	14221	12927	15845	14403	27860	688	12298	11179	13755	12504
2	6	3	3	40.5	32380	800	17604	16002	21145	19221	26560	656	15094	13720	18209	16552
2	8	3	3	40.5	30980	765	20690	18808	23905	21730	25160	621	17560	15962	20412	18554
2	4	5	5	40.5	41980	1037	16790	15262	18646	16950	35260	871	14711	13372	16379	14888
2	6	5	5	40.5	39620	978	20560	18689	24617	22377	32920	813	17830	16207	21411	19462
2	8	5	5	40.5	37420	924	23966	21785	27579	25069	31000	765	20701	18817	23917	21741
3	4	1 1/2	1 1/2	60.75	38970	641	17489	15897	19595	17812	—	—	—	—	—	—
3	6	1 1/2	1 1/2	60.75	37140	611	21431	19481	25904	23546	—	—	—	—	—	—
3	8	1 1/2	1 1/2	60.75	35490	584	25080	22798	29217	26559	—	—	—	—	—	—
3	4	2	2	60.75	45990	757	19843	18037	22149	20133	34680	571	15995	14540	17981	16345
3	6	2	2	60.75	43620	718	24296	22085	29248	26587	32820	540	19441	17672	23591	21444
3	8	2	2	60.75	41550	684	28424	25838	32939	29942	31320	516	22680	20616	26559	24142
3	4	3	3	60.75	50580	833	21331	19390	23767	21604	41790	688	18447	16768	20633	18756
3	6	3	3	60.75	48570	800	26406	24003	31718	28832	39840	656	22640	20580	27314	24828
3	8	3	3	60.75	46470	765	31036	28211	35858	32595	37740	621	26340	23943	30617	27831
3	4	5	5	60.75	62970	1037	25185	22893	27970	25424	52890	871	22067	20059	24568	22332
3	6	5	5	60.75	59430	978	30841	28034	36925	33565	49380	813	26745	24311	32116	29193
3	8	5	5	60.75	56130	924	35949	32677	41369	37604	46500	765	31051	28226	35876	32611
4	4	1 1/2	1 1/2	81	51960	641	23318	21196	26127	23750	—	—	—	—	—	—
4	6	1 1/2	1 1/2	81	49520	611	28574	25974	34538	31395	—	—	—	—	—	—
4	8	1 1/2	1 1/2	81	47320	584	33441	30397	38956	35411	—	—	—	—	—	—
4	4	2	2	81	61320	757	26457	24050	29531	26844	46240	571	21327	19386	23975	21793
4	6	2	2	81	58160	718	32395	29447	38998	35449	43760	540	25922	23563	31454	28592
4	8	2	2	81	55400	684	37899	34450	43919	39923	41760	516	30240	27488	35412	32190
4	4	3	3	81	67440	833	28441	25853	31689	28806	55720	688	24596	22358	27511	25007
4	6	3	3	81	64760	800	35207	32003	42291	38442	53120	656	30187	27440	36419	33105
4	8	3	3	81	61960	765	41381	37615	47811	43460	50320	621	35120	31924	40823	37108
4	4	5	5	81	83960	1037	33580	30525	37293	33899	70520	871	29422	26745	32757	29776
4	6	5	5	81	79240	978	41121	37379	49234	44754	65840	813	35660	32415	42821	38925
4	8	5	5	81	74840	924	47931	43570	55158	50139	62000	765	41402	37634	47834	43481
5	4	1 1/2	1 1/2	101.25	64950	641	29148	26496	32659	29687	—	—	—	—	—	—
5	6	1 1/2	1 1/2	101.25	61900	611	35718	32468	43173	39244	—	—	—	—	—	—
5	8	1 1/2	1 1/2	101.25	59150	584	41801	37997	48696	44264	—	—	—	—	—	—
5	4	2	2	101.25	76650	757	33072	30062	36914	33555	57800	571	26659	24233	29969	27242
5	6	2	2	101.25	72700	718	40493	36809	48747	44311	54700	540	32402	29454	39318	35740
5	8	2	2	101.25	69250	684	47374	43063	54899	49903	52200	516	37800	34360	44265	40237
5	4	3	3	101.25	84300	833	35552	32317	39612	36007	69650	688	30745	27947	34389	31259
5	6	3	3	101.25	80950	800	44009	40004	52863	48053	66400	656	37734	34300	45523	41381
5	8	3	3	101.25	77450	765	51726	47019	59764	54325	62900	621	43900	39905	51029	46385
5	4	5	5	101.25	104950	1037	41975	38156	46616	42374	88150	871	36778	33431	40947	37220
5	6	5	5	101.25	99050	978	51401	46723	61542	55942	82300	813	44575	40519	53527	48656
5	8	5	5	101.25	93550	924	59914	54462	68948	62673	77500	765	51752	47043	59793	54352

ICH22 - AMMONIA & R-22 RATINGS, ENGLISH UNITS

English Capacities of Colmac ICH Series Refrigeration Equipment, (Generated at 30°F EADB, 0.90 Sens. Heat Ratio)

DX and RT CIRCUITING					4 FPI - 0" ESP						4 FPI - 1/2" ESP					
					Btuh / F°											
No. Fans	No. Rows	Horsepower		Face Area (ft ²)	Air Flow		DX		RT		Air Flow		DX		RT	
		60 Hz	50 Hz		CFM	FPM	Wet	Frosted	Wet	Frosted	CFM	FPM	Wet	Frosted	Wet	Frosted
1	4	2	2	22.5	19360	860	8100	7363	9020	8199	13220	588	6056	5505	6803	6183
1	6	2	2	22.5	17860	794	9726	8841	11684	10621	12280	546	7259	6598	8805	8004
1	8	2	2	22.5	16550	736	11147	10133	12892	11719	11570	514	8382	7619	9817	8924
1	4	3	3	22.5	21690	964	8829	8026	9815	8922	16490	733	7170	6518	8009	7280
1	6	3	3	22.5	20160	896	10677	9706	12801	11636	15250	678	8604	7821	10371	9427
1	8	3	3	22.5	18760	834	12294	11175	14177	12886	14100	627	9823	8929	11415	10376
1	4	5	5	22.5	24630	1095	9721	8836	10788	9807	20700	920	8522	7747	9480	8617
1	6	5	5	22.5	23090	1026	11849	10771	14178	12887	19280	857	10317	9378	12377	11251
1	8	5	5	22.5	21740	966	13783	12529	15849	14406	18110	805	11961	10873	13803	12547
2	4	2	2	45	38720	860	16201	14726	18040	16399	26440	588	12113	11011	13605	12367
2	6	2	2	45	35720	794	19451	17681	23368	21241	24560	546	14518	13197	17610	16007
2	8	2	2	45	33100	736	22295	20266	25784	23438	23140	514	16765	15239	19634	17848
2	4	3	3	45	43380	964	17658	16052	19630	17843	32980	733	14340	13035	16017	14560
2	6	3	3	45	40320	896	21355	19412	25601	23272	30500	678	17207	15642	20742	18855
2	8	3	3	45	37520	834	24588	22351	28353	25773	28200	627	19647	17859	22830	20753
2	4	5	5	45	49260	1095	19442	17673	21577	19613	41400	920	17044	15493	18960	17234
2	6	5	5	45	46180	1026	23698	21541	28355	25775	38560	857	20634	18756	24755	22502
2	8	5	5	45	43480	966	27566	25057	31697	28813	36220	805	23922	21745	27606	25094
3	4	2	2	67.5	58080	860	24301	22089	27061	24598	39660	588	18169	16516	20408	18550
3	6	2	2	67.5	53580	794	29177	26522	35052	31862	36840	546	21776	19795	26415	24011
3	8	2	2	67.5	49650	736	33442	30399	38677	35157	34710	514	25147	22858	29452	26772
3	4	3	3	67.5	65070	964	26488	24077	29444	26765	49470	733	21510	19553	24026	21839
3	6	3	3	67.5	60480	896	32032	29118	38402	34907	45750	678	25811	23462	31114	28282
3	8	3	3	67.5	56280	834	36883	33526	42530	38659	42300	627	29470	26788	34245	31129
3	4	5	5	67.5	73890	1095	29163	26509	32365	29420	62100	920	25566	23240	28440	25852
3	6	5	5	67.5	69270	1026	35547	32312	42533	38662	57840	857	30951	28134	37132	33753
3	8	5	5	67.5	65220	966	41349	37586	47546	43219	54330	805	35883	32618	41409	37641
4	4	2	2	90.0	77440	860	32401	29453	36081	32797	52880	588	24226	22021	27210	24734
4	6	2	2	90.0	71440	794	38903	35362	46736	42483	49120	546	29035	26393	35220	32015
4	8	2	2	90.0	66200	736	44589	40532	51569	46876	46280	514	33529	30478	39269	35695
4	4	3	3	90.0	86760	964	35317	32103	39259	35687	65960	733	28680	26070	32034	29119
4	6	3	3	90.0	80640	896	42710	38823	51203	46543	61000	678	34415	31283	41485	37710
4	8	3	3	90.0	75040	834	49177	44702	56706	51546	56400	627	39293	35718	45660	41505
4	4	5	5	90.0	98520	1095	38884	35345	43154	39227	82800	920	34088	30986	37919	34469
4	6	5	5	90.0	92360	1026	47395	43082	56711	51550	77120	857	41268	37512	49510	45004
4	8	5	5	90.0	86960	966	55132	50115	63394	57625	72440	805	47844	43490	55212	50188
5	4	2	2	112.5	96800	860	40501	36816	45101	40997	66100	588	30282	27527	34013	30917
5	6	2	2	112.5	89300	794	48628	44203	58420	53103	61400	546	36294	32991	44025	40019
5	8	2	2	112.5	82750	736	55737	50665	64461	58595	57850	514	41911	38097	49086	44619
5	4	3	3	112.5	108450	964	44146	40129	49074	44608	82450	733	35850	32588	40043	36399
5	6	3	3	112.5	100800	896	53387	48529	64003	58179	76250	678	43018	39104	51856	47137
5	8	3	3	112.5	93800	834	61471	55877	70883	64432	70500	627	49117	44647	57076	51882
5	4	5	5	112.5	123150	1095	48605	44182	53942	49034	103500	920	42611	38733	47399	43086
5	6	5	5	112.5	115450	1026	59244	53853	70888	64437	96400	857	51585	46891	61887	56255
5	8	5	5	112.5	108700	966	68915	62643	79243	72032	90550	805	59805	54363	69015	62735

ICH28 - AMMONIA & R-22 RATINGS, ENGLISH UNITS

English Capacities of Colmac ICH Series Refrigeration Equipment, (Generated at 30°F EADB, 0.90 Sens. Heat Ratio)

DX and RT CIRCUITING					4 FPI - 0" ESP						4 FPI - 1/2" ESP					
					Btuh / F°		Btuh / F°		Btuh / F°		Btuh / F°		Btuh / F°		Btuh / F°	
No. Fans	No. Rows	Horsepower		Face Area (ft²)	Air Flow		DX		RT		Air Flow		DX		RT	
		60 Hz	50 Hz		CFM	FPM	Wet	Frosted	Wet	Frosted	CFM	FPM	Wet	Frosted	Wet	Frosted
1	4	3	3	28.13	22760	809	9664	8785	10774	9793	17460	621	7896	7178	8855	8049
1	6	3	3	28.13	21490	764	11804	10730	14191	12900	16490	586	9601	8727	11619	10562
1	8	3	3	28.13	20410	726	13787	12533	15951	14499	15700	558	11196	10177	13066	11877
1	4	5	5	28.13	25500	907	10535	9577	11722	10655	21610	768	9291	8445	10367	9424
1	6	5	5	28.13	24390	867	13016	11831	15612	14191	20520	730	11389	10352	13705	12458
1	8	5	5	28.13	23310	829	15296	13904	17641	16035	19540	695	13323	12111	15432	14028
1	4	7 1/2	7 1/2	28.13	28690	1020	11519	10471	12796	11631	25420	904	10510	9554	11695	10630
1	6	7 1/2	7 1/2	28.13	27510	978	14276	12977	17093	15538	24350	866	12999	11816	15593	14174
1	8	7 1/2	7 1/2	28.13	26380	938	16838	15305	19371	17608	23350	830	15317	13923	17663	16056
2	4	3	3	56.25	45520	809	19329	17570	21547	19586	34920	621	15793	14356	17710	16099
2	6	3	3	56.25	42980	764	23608	21459	28382	25799	32980	586	19202	17455	23238	21124
2	8	3	3	56.25	40820	726	27575	25065	31902	28999	31400	558	22391	20354	26131	23753
2	4	5	5	56.25	51000	907	21071	19153	23444	21311	43220	768	18582	16891	20735	18848
2	6	5	5	56.25	48780	867	26031	23662	31224	28382	41040	730	22777	20705	27410	24916
2	8	5	5	56.25	46620	829	30593	27809	35281	32071	39080	695	26646	24221	30865	28056
2	4	7 1/2	7 1/2	56.25	57380	1020	23039	20942	25591	23262	50840	904	21021	19108	23389	21261
2	6	7 1/2	7 1/2	56.25	55020	978	28553	25955	34187	31076	48700	866	25998	23632	31185	28347
2	8	7 1/2	7 1/2	56.25	52760	938	33675	30611	38742	35217	46700	830	30633	27846	35327	32112
3	4	3	3	84.375	68280	809	28993	26355	32321	29379	52380	621	23689	21533	26566	24148
3	6	3	3	84.375	64470	764	35411	32189	42573	38699	49470	586	28803	26182	34857	31685
3	8	3	3	84.375	61230	726	41362	37598	47853	43498	47100	558	33587	30531	39197	35630
3	4	5	5	84.375	76500	907	31606	28730	35166	31966	64830	768	27873	25336	31102	28272
3	6	5	5	84.375	73170	867	39047	35493	46835	42573	61560	730	34166	31057	41116	37374
3	8	5	5	84.375	69930	829	45889	41713	52922	48106	58620	695	39969	36332	46297	42084
3	4	7 1/2	7 1/2	84.375	86070	1020	34558	31414	38387	34894	76260	904	31531	28662	35084	31891
3	6	7 1/2	7 1/2	84.375	82530	978	42829	38932	51280	46613	73050	866	38997	35449	46778	42521
3	8	7 1/2	7 1/2	84.375	79140	938	50513	45916	58114	52825	70050	830	45950	41769	52990	48168
4	4	3	3	112.5	91040	809	38658	35140	43094	39173	69840	621	31585	28711	35421	32197
4	6	3	3	112.5	85960	764	47215	42919	56764	51599	65960	586	38404	34909	46477	42247
4	8	3	3	112.5	81640	726	55149	50130	63804	57998	62800	558	44783	40707	52262	47506
4	4	5	5	112.5	102000	907	42142	38307	46888	42621	86440	768	37163	33782	41469	37696
4	6	5	5	112.5	97560	867	52062	47325	62447	56765	82080	730	45555	41409	54821	49832
4	8	5	5	112.5	93240	829	61185	55617	70562	64141	78160	695	53292	48442	61729	56112
4	4	7 1/2	7 1/2	112.5	114760	1020	46078	41885	51182	46525	101680	904	42041	38215	46779	42522
4	6	7 1/2	7 1/2	112.5	110040	978	57106	51909	68373	62151	97400	866	51996	47265	62370	56694
4	8	7 1/2	7 1/2	112.5	105520	938	67351	61222	77485	70434	93400	830	61267	55692	70654	64224

SPECIFICATIONS, ENGLISH UNITS

ICH-11 Flooded & Recirc. Bottom Feed

Model	Tot. Surface Area, ft ²	Hot Gas Connection Size, IPS	Water Defrost GPM @ 5 PSI	Internal Volume, ft ³		Dry Weight, lb. Standard Cabinet		Dry Weight, lb. 45° Down Cabinet		Dry Weight, lb. Penthouse Cabinet	
				R-22	NH3	R-22	NH3	R-22	NH3	R-22	NH3
314	502	1 1/4	14.0	0.96	0.84	652	608	708	664	824	780
316	753	1 1/4	14.0	1.43	1.26	749	681	805	737	921	853
318	1004	1 1/4	14.0	1.91	1.68	846	754	902	810	1018	926
324	1004	1 1/4	28.0	1.91	1.68	1137	1050	1235	1148	1426	1339
326	1506	1 1/4	28.0	2.87	2.52	1308	1181	1406	1279	1597	1470
328	2008	1 1/4	28.0	3.82	3.36	1479	1312	1577	1410	1768	1601
334	1506	1 1/4	42.0	2.87	2.52	1621	1492	1761	1632	2027	1898
336	2259	1 1/4	42.0	4.30	3.78	1867	1681	2007	1821	2273	2087
338	3012	2	42.0	5.73	5.04	2113	1869	2253	2009	2519	2275
344	2008	1 1/4	56.0	3.82	3.36	2106	1935	2289	2118	2629	2458
346	3012	2	56.0	5.73	5.04	2427	2181	2610	2364	2950	2704
348	4016	2	56.0	7.64	6.71	2747	2427	2930	2610	3270	2950
354	2510	2	70.0	4.78	4.20	2591	2377	2816	2602	3231	3017
356	3765	2	70.0	7.16	6.30	2986	2681	3211	2906	3626	3321
358	5020	2	70.0	9.55	8.39	3381	2985	3606	3210	4021	3625
364	3012	2	84.0	5.73	5.04	3075	2819	3342	3086	3832	3576
366	4518	2	84.0	8.60	7.56	3545	3181	3812	3448	4302	3938
368	6024	2	84.0	11.46	10.07	4015	3543	4282	3810	4772	4300
414	651	1 1/4	14.0	0.96	0.84	658	614	714	670	830	786
416	977	1 1/4	14.0	1.43	1.26	758	690	814	746	930	862
418	1302	1 1/4	14.0	1.91	1.68	857	765	913	821	1029	937
424	1302	1 1/4	28.0	1.91	1.68	1149	1062	1247	1160	1438	1351
426	1953	1 1/4	28.0	2.87	2.52	1326	1198	1424	1296	1615	1487
428	2604	1 1/4	28.0	3.82	3.36	1503	1335	1601	1433	1792	1624
434	1953	1 1/4	42.0	2.87	2.52	1639	1510	1779	1650	2045	1916
436	2930	1 1/4	42.0	4.30	3.78	1894	1707	2034	1847	2300	2113
438	3906	2	42.0	5.73	5.04	2149	1905	2289	2045	2555	2311
444	2604	1 1/4	56.0	3.82	3.36	2130	1958	2313	2141	2653	2481
446	3906	2	56.0	5.73	5.04	2462	2216	2645	2399	2985	2739
448	5208	2	56.0	7.64	6.71	2794	2475	2977	2658	3317	2998
454	3255	2	70.0	4.78	4.20	2620	2406	2845	2631	3260	3046
456	4883	2	70.0	7.16	6.30	3030	2725	3255	2950	3670	3365
458	6510	2	70.0	9.55	8.39	3440	3044	3665	3269	4080	3684
464	3906	2	84.0	5.73	5.04	3111	2855	3378	3122	3868	3612
466	5859	2	84.0	8.60	7.56	3598	3234	3865	3501	4355	3991
468	7812	2	84.0	11.46	10.07	4086	3614	4353	3881	4843	4371

ICH-11 Direct Expansion & Recirc. Top Feed

Model	Tot. Surface Area, ft ²	Hot Gas Connection Size, IPS	Water Defrost GPM @ 5 PSI	Internal Volume, ft ³		Dry Weight, lb. Standard Cabinet		Dry Weight, lb. 45° Down Cabinet		Dry Weight, lb. Penthouse Cabinet	
				R-22	NH3	R-22	NH3	R-22	NH3	R-22	NH3
414	444	1 1/4	6.5	0.74	0.63	620	608	676	664	792	780
416	666	1 1/4	10.0	1.11	0.94	700	680	756	736	872	852
418	888	1 1/4	13.0	1.48	1.25	779	753	835	809	951	925
424	888	1 1/4	13.0	1.48	1.25	1085	1053	1183	1151	1374	1342
426	1332	1 1/4	20.0	2.22	1.88	1229	1185	1327	1283	1518	1474
428	1776	1 1/4	26.0	2.96	2.50	1373	1317	1471	1415	1662	1606
434	1332	1 1/4	19.5	2.22	1.88	1549	1499	1689	1639	1955	1905
436	1998	1 1/4	30.0	3.33	2.82	1758	1690	1898	1830	2164	2096
438	2665	2	39.0	4.44	3.76	1966	1882	2106	2022	2372	2288
444	1776	1 1/4	26.0	2.96	2.50	2014	1945	2197	2128	2537	2468
446	2665	2	40.0	4.44	3.76	2287	2196	2470	2379	2810	2719
448	3553	2	52.0	5.92	5.01	2560	2446	2743	2629	3083	2969
454	2220	2	32.5	3.70	3.13	2478	2390	2703	2615	3118	3030
456	3331	2	50.0	5.55	4.70	2816	2701	3041	2926	3456	3341
458	4441	2	65.0	7.40	6.26	3153	3011	3378	3236	3793	3651
464	2665	2	39.0	4.44	3.76	2943	2836	3210	3103	3700	3593
466	3997	2	60.0	6.66	5.64	3345	3206	3612	3473	4102	3963
468	5329	2	78.0	8.88	7.51	3747	2576	4014	2843	4504	3333

ICH-18 Flooded & Recirc. Bottom Feed

Model	Tot. Surface Area, ft ²	Hot Gas Connection Size, IPS	Water Defrost GPM @ 5 PSI	Internal Volume, ft ³		Dry Weight, lb. Standard Cabinet		Dry Weight, lb. 45° Down Cabinet		Dry Weight, lb. Penthouse Cabinet	
				R-22	NH3	R-22	NH3	R-22	NH3	R-22	NH3
314	1076	1 1/4	16.0	1.53	1.34	831	761	913	843	1061	991
316	1614	1 1/4	23.0	2.29	2.01	974	868	1056	950	1204	1098
318	2152	1 1/4	31.0	3.06	2.69	1118	976	1200	1058	1348	1206
324	2152	1 1/4	32.0	3.06	2.69	1474	1336	1616	1478	2006	1868
326	3228	1 1/4	46.0	4.58	4.03	1732	1531	1874	1673	2264	2063
328	4304	1 1/4	62.0	6.11	5.37	1991	1726	2133	1868	2523	2258
334	3228	1 1/4	48.0	4.58	4.03	2117	1910	2319	2112	2870	2663
336	4842	2	69.0	6.88	6.04	2490	2193	2692	2395	3243	2946
338	6456	2	93.0	9.17	8.06	2864	2477	3066	2679	3617	3230
344	4304	2	64.0	6.11	5.37	2759	2484	3022	2747	3470	3195
346	6456	2	92.0	9.17	8.06	3248	2856	3511	3119	3959	3567
348	8608	2	124.0	12.23	10.74	3736	3227	3999	3490	4447	3938
354	5380	2	80.0	7.64	6.71	3402	3059	3725	3382	4273	3930
356	8070	2	115.0	11.46	10.07	4006	3518	4329	3841	4877	4389
358	10760	2	155.0	15.28	13.43	4609	3978	4932	4301	5480	4849

414	1409	1 1/4	16.0	1.53	1.34	840	771	922	853	1070	1001
416	2113	1 1/4	23.0	2.29	2.01	989	883	1071	965	1219	1113
418	2817	1 1/4	31.0	3.06	2.69	1137	995	1219	1077	1367	1225
424	2817	1 1/4	32.0	3.06	2.69	1493	1354	1635	1496	2025	1886
426	4226	1 1/4	46.0	4.58	4.03	1761	1559	1903	1701	2293	2091
428	5635	1 1/4	62.0	6.11	5.37	2029	1764	2171	1906	2561	2296
434	4226	1 1/4	48.0	4.58	4.03	2145	1938	2347	2140	2898	2691
436	6339	2	69.0	6.88	6.04	2533	2236	2735	2438	3286	2989
438	8452	2	93.0	9.17	8.06	2920	2534	3122	2736	3673	3287
444	5635	2	64.0	6.11	5.37	2797	2522	3060	2785	3508	3233
446	8452	2	92.0	9.17	8.06	3305	2913	3568	3176	4016	3624
448	11270	2	124.0	12.23	10.74	3812	3303	4075	3566	4523	4014
454	7044	2	80.0	7.64	6.71	3450	3106	3773	3429	4321	3977
456	10565	2	115.0	11.46	10.07	4077	3589	4400	3912	4948	4460
458	14087	2	155.0	15.28	13.43	4704	4072	5027	4395	5575	4943

ICH-18 Direct Expansion & Recirc. Top Feed

Model	Tot. Surface Area, ft ²	Hot Gas Connection Size, IPS	Water Defrost GPM @ 5 PSI	Internal Volume, ft ³		Dry Weight, lb. Standard Cabinet		Dry Weight, lb. 45° Down Cabinet		Dry Weight, lb. Penthouse Cabinet	
				R-22	NH3	R-22	NH3	R-22	NH3	R-22	NH3
414	711	1 1/4	8.0	1.18	1.00	783	762	865	844	1013	992
416	1066	1 1/4	12.0	1.78	1.50	901	869	983	951	1131	1099
418	1421	1 1/4	16.0	2.37	2.00	1019	976	1101	1058	1249	1206
424	1421	1 1/4	16.0	2.37	2.00	1394	1342	1536	1484	1926	1874
426	2132	1 1/4	24.0	3.55	3.01	1610	1540	1752	1682	2142	2072
428	2842	1 1/4	32.0	4.74	4.01	1827	1737	1969	1879	2359	2269
434	2132	1 1/4	24.0	3.55	3.01	2004	1922	2206	2124	2757	2675
436	3198	2	36.0	5.33	4.51	2320	2210	2522	2412	3073	2963
438	4264	2	48.0	7.10	6.01	2635	2499	2837	2701	3388	3252
444	2842	2	32.0	4.74	4.01	3615	2501	3878	2764	4326	3212
446	4264	2	48.0	7.10	6.01	3029	2881	3292	3144	3740	3592
448	5685	2	64.0	9.47	8.02	3444	3260	3707	3523	4155	3971
454	3553	2	40.0	5.92	5.01	3226	3081	3549	3404	4097	3952
456	5330	2	60.0	8.88	7.51	3739	3551	4062	3874	4610	4422
458	7106	2	80.0	11.84	10.02	4252	4022	4575	4345	5123	4893

ICH-20 Flooded & Recirc. Bottom Feed

Model	Tot. Surface Area, ft ²	Hot Gas Connection Size, IPS	Water Defrost GPM @ 5 PSI	Internal Volume, ft ³		Dry Weight, lb. Standard Cabinet		Dry Weight, lb. 45° Down Cabinet		Dry Weight, lb. Penthouse Cabinet	
				R-22	NH3	R-22	NH3	R-22	NH3	R-22	NH3
314	1211	1 1/4	16.0	1.72	1.51	876	797	961	882	1121	1042
316	1816	1 1/4	23.0	2.58	2.27	1036	916	1121	1001	1281	1161
318	2421	1 1/4	31.0	3.44	3.02	1196	1035	1281	1120	1441	1280
324	2421	1 1/4	32.0	3.44	3.02	1552	1396	1700	1544	1968	1812
326	3632	1 1/4	46.0	5.16	4.53	1840	1613	1988	1761	2256	2029
328	4842	2	62.0	6.88	6.04	2128	1830	2276	1978	2544	2246
334	3632	1 1/4	48.0	5.16	4.53	2228	1994	2438	2204	2814	2580
336	5447	2	69.0	7.74	6.80	2644	2310	2854	2520	3230	2896
338	7263	2	93.0	10.32	9.06	3061	2625	3271	2835	3647	3211
344	4842	2	64.0	6.88	6.04	2903	2593	3175	2865	3660	3350
346	7263	2	92.0	10.32	9.06	3448	3006	3720	3278	4205	3763
348	9684	2	124.0	13.75	12.08	3993	3419	4265	3691	4750	4176
354	6053	2	80.0	8.60	7.55	3579	3192	3913	3526	4507	4120
356	9079	2	115.0	12.89	11.33	4252	3703	4586	4037	5180	4631
358	12105	2	155.0	17.19	15.10	4925	4214	5259	4548	5853	5142

414	1585	1 1/4	16.0	1.72	1.51	887	808	972	893	1132	1053
416	2377	1 1/4	23.0	2.58	2.27	1052	932	1137	1017	1297	1177
418	3170	1 1/4	31.0	3.44	3.02	1217	1057	1302	1142	1462	1302
424	3170	1 1/4	32.0	3.44	3.02	1573	1417	1721	1565	1989	1833
426	4754	1 1/4	46.0	5.16	4.53	1872	1645	2020	1793	2288	2061
428	6339	2	62.0	6.88	6.04	2171	1873	2319	2021	2587	2289
434	4754	2	48.0	5.16	4.53	2260	2026	2470	2236	2846	2612
436	7132	2	69.0	7.74	6.80	2692	2357	2902	2567	3278	2943
438	9509	2	93.0	10.32	9.06	3124	2689	3334	2899	3710	3275
444	6339	2	64.0	6.88	6.04	2946	2636	3218	2908	3703	3393
446	9509	2	92.0	10.32	9.06	3512	3070	3784	3342	4269	3827
448	12678	2	124.0	13.75	12.08	4078	3504	4350	3776	4835	4261
454	7924	2	80.0	8.60	7.55	3632	3245	3966	3579	4560	4173
456	11886	2	115.0	12.89	11.33	4332	3783	4666	4117	5260	4711
458	15848	2	155.0	17.19	15.10	5031	4320	5365	4654	5959	5248

ICH-20 Direct Expansion & Recirc. Top Feed

Model	Tot. Surface Area, ft ²	Hot Gas Connection Size, IPS	Water Defrost GPM @ 5 PSI	Internal Volume, ft ³		Dry Weight, lb. Standard Cabinet		Dry Weight, lb. 45° Down Cabinet		Dry Weight, lb. Penthouse Cabinet	
				R-22	NH3	R-22	NH3	R-22	NH3	R-22	NH3
414	799	1 1/4	8.0	1.33	1.13	822	798	907	883	1067	1043
416	1199	1 1/4	12.0	2.00	1.69	953	917	1038	1002	1198	1162
418	1599	1 1/4	16.0	2.66	2.25	1084	1036	1169	1121	1329	1281
424	1599	1 1/4	16.0	2.66	2.25	1462	1403	1610	1551	1878	1819
426	2398	1 1/4	24.0	4.00	3.38	1703	1623	1851	1771	2119	2039
428	3198	2	32.0	5.33	4.51	1944	1843	2092	1991	2360	2259
434	2398	1 1/4	24.0	4.00	3.38	2101	2007	2311	2217	2687	2593
436	3597	2	36.0	5.99	5.07	2453	2329	2663	2539	3039	2915
438	4797	2	48.0	7.99	6.76	2804	2650	3014	2860	3390	3236
444	3198	2	32.0	5.33	4.51	2741	2612	3013	2884	3498	3369
446	4797	2	48.0	7.99	6.76	3202	3034	3474	3306	3959	3791
448	6395	2	64.0	10.66	9.02	3663	3456	3935	3728	4420	4213
454	3997	2	40.0	6.66	5.64	3380	3217	3714	3551	4308	4145
456	5996	2	60.0	9.99	8.45	3952	3740	4286	4074	4880	4668
458	7994	2	80.0	13.32	11.27	4523	4263	4857	4597	5451	5191

ICH-22 Flooded & Recirc. Bottom Feed

Model	Tot. Surface Area, ft ²	Hot Gas Connection Size, IPS	Water Defrost GPM @ 5 PSI	Internal Volume, ft ³		Dry Weight, lb. Standard Cabinet		Dry Weight, lb. 45° Down Cabinet		Dry Weight, lb. Penthouse Cabinet	
				R-22	NH3	R-22	NH3	R-22	NH3	R-22	NH3
314	1345	1 1/4	16.0	1.91	1.68	981	893	1087	999	1265	117
316	2018	1 1/4	23.0	2.87	2.52	1158	1027	1264	1133	1442	1311
318	2690	1 1/4	31.0	3.82	3.36	1334	1155	1440	1261	1618	1439
324	2690	1 1/4	32.0	3.82	3.36	1750	1576	1931	1757	2230	2056
326	4035	2	46.0	5.73	5.03	2068	1815	2249	1996	2548	2295
328	5380	2	62.0	7.64	6.71	2386	2054	2567	2235	2866	2534
334	4035	2	48.0	5.73	5.03	2519	2259	2774	2514	3195	2935
336	6053	2	69.0	8.60	7.55	2978	2606	3233	2861	3654	3282
338	8070	2	93.0	11.46	10.07	3438	2953	3693	3208	4114	3629
344	5380	2	64.0	7.64	6.71	3287	2942	3617	3272	4159	3814
346	8070	2	92.0	11.46	10.07	3888	3397	4218	3727	4760	4269
348	10760	2	124.0	15.28	13.43	4489	3851	4819	4181	5361	4723
354	6725	2	80.0	9.55	8.39	4056	3625	4460	4029	5124	4693
356	10088	2	115.0	14.33	12.59	4798	4187	5202	4591	5866	5255
358	13450	2	155.0	19.10	16.78	5541	4750	5945	5154	6609	5818

414	1761	1 1/4	16.0	1.91	1.68	993	905	1099	1011	1277	1189
416	2641	1 1/4	23.0	2.87	2.52	1175	1042	1281	1148	1459	1326
418	3522	1 1/4	31.0	3.82	3.36	1358	1179	1464	1285	1642	1463
424	3522	1 1/4	32.0	3.82	3.36	1774	1599	1955	1780	2254	2079
426	5283	2	46.0	5.73	5.03	2103	1850	2284	2031	2583	2330
428	7044	2	62.0	7.64	6.71	2433	2101	2614	2282	2913	2581
434	5283	2	48.0	5.73	5.03	2554	2294	2809	2549	3230	2970
436	7924	2	69.0	8.60	7.55	3031	2659	3286	2914	3707	3335
438	10565	2	93.0	11.46	10.07	3508	3024	3763	3279	4184	3700
444	7044	2	64.0	7.64	6.71	3334	2989	3664	3319	4206	3861
446	10565	2	92.0	11.46	10.07	3959	3467	4289	3797	4831	4339
448	14087	2	124.0	15.28	13.43	4584	3946	4914	4276	5456	4818
454	8804	2	80.0	9.55	8.39	4115	3684	4519	4088	5183	4752
456	13207	2	115.0	14.33	12.59	4887	4276	5291	4680	5955	5344
458	17609	2	155.0	19.10	16.78	5659	4868	6063	5272	6727	5936

ICH-22 Direct Expansion & Recirc. Top Feed

Model	Tot. Surface Area, ft ²	Hot Gas Connection Size, IPS	Water Defrost GPM @ 5 PSI	Internal Volume, ft ³		Dry Weight, lb. Standard Cabinet		Dry Weight, lb. 45° Down Cabinet		Dry Weight, lb. Penthouse Cabinet	
				R-22	NH3	R-22	NH3	R-22	NH3	R-22	NH3
414	888	1 1/4	8.0	1.48	1.25	922	894	1028	1000	1206	1178
416	1332	1 1/4	12.0	2.22	1.88	1066	1025	1172	1131	1350	1309
418	1777	1 1/4	16.0	2.96	2.50	1210	1156	1316	1262	1494	1440
424	1777	1 1/4	16.0	2.96	2.50	1650	1584	1831	1765	2130	2064
426	2665	2	24.0	4.44	3.76	1916	1826	2097	2007	2396	2306
428	3553	2	32.0	5.92	5.01	2181	2068	2362	2249	2661	2548
434	2665	2	24.0	4.44	3.76	2378	2273	2633	2528	3054	2949
436	3997	2	36.0	6.66	5.64	2765	2627	3020	2882	3441	3303
438	5330	2	48.0	8.88	7.51	3152	2980	3407	3235	3828	3656
444	3553	2	32.0	5.92	5.01	3107	2963	3437	3293	3979	3835
446	5330	2	48.0	8.88	7.51	3615	3428	3945	3758	4487	4300
448	7106	2	64.0	11.84	10.02	4123	3892	4453	4222	4995	4764
454	4441	2	40.0	7.40	6.26	3835	3653	4239	4057	4903	4721
456	6662	2	60.0	11.10	9.39	4465	4229	4869	4633	5533	5297
458	8883	2	80.0	14.80	12.52	5094	4805	5498	5209	6162	5873

ICH-28 Flooded & Recirc. Bottom Feed

Model	Tot. Surface Area, ft ²	Hot Gas Connection Size, IPS	Water Defrost GPM @ 5 PSI	Internal Volume, ft ³		Dry Weight, lb. Standard Cabinet		Dry Weight, lb. 45° Down Cabinet		Dry Weight, lb. Penthouse Cabinet	
				R-22	NH3	R-22	NH3	R-22	NH3	R-22	NH3
314	1681	1 1/4	19.5	1.91	1.68	1236	1130	1375	1269	1629	1523
316	2522	1 1/4	29.0	2.87	2.52	1454	1294	1593	1433	1847	1687
318	3363	1 1/4	39.0	3.82	3.36	1672	1458	1811	1597	2065	1851
324	3363	1 1/4	39.0	3.82	3.36	2199	1984	2438	2223	2871	2656
326	5044	2	58.0	5.73	5.03	2603	2291	2842	2530	3275	2963
328	6725	2	78.0	7.64	6.71	3000	2592	3239	2831	3672	3264
334	5044	2	58.5	5.73	5.03	3162	2837	3500	3175	4113	3788
336	7566	2	87.0	8.60	7.55	3752	3289	4090	3627	4703	4240
338	10088	2	117.0	11.46	10.07	4328	3726	4666	4064	5279	4677
344	6725	2	78.0	7.64	6.71	4125	3691	4563	4129	5356	4922
346	10088	2	116.0	11.46	10.07	4901	4286	5339	4724	6132	5517
348	13450	2	156.0	15.28	13.43	5656	4860	6094	5298	6887	6091
414	2201	1 1/4	19.5	1.91	1.68	1251	1145	1390	1284	1644	1538
416	3302	1 1/4	29.0	2.87	2.52	1476	1316	1615	1455	1869	1709
418	4402	1 1/4	39.0	3.82	3.36	1701	1488	1840	1627	2094	1881
424	4402	1 1/4	39.0	3.82	3.36	2228	2013	2467	2252	2900	2685
426	6603	2	58.0	5.73	5.03	2647	2336	2886	2575	3319	3008
428	8804	2	78.0	7.64	6.71	3059	2651	3298	2890	3731	3323
434	6603	2	58.5	5.73	5.03	3206	2882	3544	3220	4157	3833
436	9905	2	87.0	8.60	7.55	3818	3355	4156	3693	4769	4306
438	13207	2	117.0	11.46	10.07	4417	3815	4755	4153	5368	4766
444	8804	2	78.0	7.64	6.71	4184	3750	4622	4188	5415	4981
446	13207	2	116.0	11.46	10.07	4990	4375	5428	4813	6221	5606
448	17609	2	156.0	15.28	13.43	5774	4979	6212	5417	7005	6210

ICH-28 Direct Expansion & Recirc. Top Feed

Model	Tot. Surface Area, ft ²	Hot Gas Connection Size, IPS	Water Defrost GPM @ 5 PSI	Internal Volume, ft ³		Dry Weight, lb. Standard Cabinet		Dry Weight, lb. 45° Down Cabinet		Dry Weight, lb. Penthouse Cabinet	
				R-22	NH3	R-22	NH3	R-22	NH3	R-22	NH3
414	1110	1 1/4	10.0	1.48	1.25	1166	1133	1305	1272	1559	1526
416	1665	1 1/4	15.0	2.22	1.88	1346	1297	1485	1436	1739	1690
418	2221	1 1/4	19.5	2.96	2.50	1527	1462	1666	1601	1920	1855
424	2221	1 1/4	20.0	2.96	2.50	2078	1995	2317	2234	2750	2667
426	3331	2	30.0	4.44	3.76	2419	2307	2658	2546	3091	2979
428	4441	2	39.0	5.92	5.01	2753	2613	2992	2852	3425	3285
434	3331	2	30.0	4.44	3.76	2990	2857	3328	3195	3941	3808
436	4996	2	45.0	6.66	5.64	3492	3317	3830	3655	4443	4268
438	6662	2	58.5	8.88	7.51	3979	3764	4317	4102	4930	4715
444	4441	2	40.0	5.92	5.01	3902	3719	4340	4157	5133	4950
446	6662	2	60.0	8.88	7.51	4564	4327	5002	4765	5795	5558
448	8883	2	78.0	11.84	10.02	5206	4915	5644	5353	6437	6146

ICH11 - AMMONIA & R-22 RATINGS, SI UNITS

SI Capacities of Colmac ICH Series Refrigeration Equipment, (Generated at -1°C EADB, 0.90 Sens. Heat Ratio)

FL and RB CIRCUITING					3 Fins Per Inch						4 Fins Per Inch									
					0 Pa ESP			124 Pa ESP			0 Pa ESP			124 Pa ESP						
No. Fans	No. Rows	kW		Aface (m ²)	Air Flow		Watts / °C		Air Flow		Watts / °C		Air Flow		Watts / °C					
		60 Hz	50 Hz		L/s	m/s	Wet	Frosted	L/s	m/s	Wet	Frosted	L/s	m/s	Wet	Frosted				
1	4	0.56	0.56	1.05	3770	3.6	2238	2035	—	—	—	—	3695	3.5	2339	2127	—	—	—	—
1	6	0.56	0.56	1.05	3563	3.4	2783	2530	—	—	—	—	3468	3.3	2922	2656	—	—	—	—
1	8	0.56	0.56	1.05	3398	3.3	3202	2911	—	—	—	—	3275	3.1	3321	3019	—	—	—	—
1	4	0.75	0.75	1.05	4441	4.2	2541	2310	2921	2.8	1832	1665	4365	4.2	2651	2410	2831	2.7	1916	1741
1	6	0.75	0.75	1.05	4195	4.0	3152	2865	2770	2.7	2295	2087	4087	3.9	3307	3006	2647	2.5	2382	2165
1	8	0.75	0.75	1.05	3978	3.8	3676	3342	2647	2.5	2538	2307	3855	3.7	3831	3482	2506	2.4	2585	2350
1	4	1.12	1.12	1.05	5214	5.0	2875	2614	3539	3.4	2130	1937	5130	4.9	2992	2720	3426	3.3	2210	2009
1	6	1.12	1.12	1.05	4894	4.7	3543	3220	3266	3.1	2604	2367	4780	4.6	3722	3383	3124	3.0	2700	2454
1	8	1.12	1.12	1.05	4620	4.4	4172	3793	3063	2.9	2914	2649	4474	4.3	4345	3949	2893	2.8	2966	2696
1	4	1.49	1.49	1.05	5550	5.3	3016	2742	3808	3.6	2256	2050	5441	5.2	3128	2843	3704	3.5	2344	2131
1	6	1.49	1.49	1.05	5167	4.9	3692	3356	3516	3.4	2755	2504	5035	4.8	3870	3518	3379	3.2	2865	2604
1	8	1.49	1.49	1.05	4837	4.6	4335	3940	3294	3.2	3114	2831	4686	4.5	4515	4104	3133	3.0	3192	2901
1	4	2.24	2.24	1.05	6644	6.4	3461	3146	5870	5.6	3149	2862	6574	6.3	3604	3276	5668	5.4	3225	2931
1	6	2.24	2.24	1.05	6385	6.1	4333	3938	5465	5.2	3852	3501	6286	6.0	4573	4157	5361	5.1	4057	3688
1	8	2.24	2.24	1.05	6149	5.9	5272	4792	5210	5.0	4609	4189	6031	5.8	5545	5040	5092	4.9	4835	4395
2	4	0.56	0.56	2.09	7541	3.6	4477	4069	—	—	—	—	7390	3.5	4679	4253	—	—	—	—
2	6	0.56	0.56	2.09	7126	3.4	5567	5060	—	—	—	—	6937	3.3	5844	5312	—	—	—	—
2	8	0.56	0.56	2.09	6795	3.3	6404	5822	—	—	—	—	6550	3.1	6643	6038	—	—	—	—
2	4	0.75	0.75	2.09	8881	4.2	5082	4619	5842	2.8	3664	3330	8730	4.2	5302	4820	5663	2.7	3832	3483
2	6	0.75	0.75	2.09	8390	4.0	6304	5730	5540	2.7	4591	4173	8173	3.9	6614	6012	5295	2.5	4763	4330
2	8	0.75	0.75	2.09	7956	3.8	7353	6683	5295	2.5	5077	4615	7711	3.7	7662	6965	5012	2.4	5170	4699
2	4	1.12	1.12	2.09	10429	5.0	5751	5227	7079	3.4	4261	3873	10259	4.9	5985	5440	6852	3.3	4421	4019
2	6	1.12	1.12	2.09	9787	4.7	7086	6441	6531	3.1	5208	4734	9561	4.6	7443	6766	6248	3.0	5399	4908
2	8	1.12	1.12	2.09	9240	4.4	8345	7586	6125	2.9	5829	5298	8947	4.3	8689	7898	5785	2.8	5932	5392
2	4	1.49	1.49	2.09	11099	5.3	6032	5483	7616	3.6	4511	4101	10882	5.2	6255	5686	7409	3.5	4688	4261
2	6	1.49	1.49	2.09	10335	4.9	7384	6712	7031	3.4	5510	5009	10070	4.8	7740	7036	6758	3.2	5729	5208
2	8	1.49	1.49	2.09	9674	4.6	8670	7881	6588	3.2	6228	5662	9372	4.5	9031	8209	6267	3.0	6384	5803
2	4	2.24	2.24	2.09	13289	6.4	6921	6292	11741	5.6	6297	5724	13147	6.3	7209	6553	11335	5.4	6450	5863
2	6	2.24	2.24	2.09	12770	6.1	8665	7877	10929	5.2	7703	7002	12571	6.0	9147	8314	10722	5.1	8114	7376
2	8	2.24	2.24	2.09	12298	5.9	10544	9584	10420	5.0	9217	8378	12062	5.8	11089	10080	10184	4.9	9669	8789
3	4	0.56	0.56	3.14	11311	3.6	6715	6104	—	—	—	—	11085	3.5	7018	6380	—	—	—	—
3	6	0.56	0.56	3.14	10689	3.4	8350	7590	—	—	—	—	10405	3.3	8766	7968	—	—	—	—
3	8	0.56	0.56	3.14	10193	3.3	9607	8732	—	—	—	—	9825	3.1	9964	9057	—	—	—	—
3	4	0.75	0.75	3.14	13322	4.2	7623	6929	8763	2.8	5496	4996	13095	4.2	7953	7229	8494	2.7	5747	5224
3	6	0.75	0.75	3.14	12586	4.0	9456	8596	8310	2.7	6886	6260	12260	3.9	9921	9018	7942	2.5	7145	6495
3	8	0.75	0.75	3.14	11934	3.8	11029	10025	7942	2.5	7615	6922	11566	3.7	11493	10447	7517	2.4	7755	7049
3	4	1.12	1.12	3.14	15643	5.0	8626	7841	10618	3.4	6391	5810	15389	4.9	8977	8160	10278	3.3	6631	6028
3	6	1.12	1.12	3.14	14681	4.7	10628	9661	9797	3.1	7812	7101	14341	4.6	11165	10149	9372	3.0	8099	7362
3	8	1.12	1.12	3.14	13860	4.4	12517	11378	9188	2.9	8743	7947	13421	4.3	13034	11848	8678	2.8	8898	8088
3	4	1.49	1.49	3.14	16649	5.3	9048	8225	11425	3.6	6767	6151	16323	5.2	9383	8529	11113	3.5	7032	6392
3	6	1.49	1.49	3.14	15502	4.9	11076	10068	10547	3.4	8265	7513	15106	4.8	11610	10554	10136	3.2	8594	7812
3	8	1.49	1.49	3.14	14511	4.6	13005	11821	9882	3.2	9343	8493	14058	4.5	13546	12313	9400	3.0	9575	8704
3	4	2.24	2.24	3.14	19933	6.4	10382	9437	17611	5.6	9446	8586	19721	6.3	10813	9829	17003	5.4	9674	8794
3	6	2.24	2.24	3.14	19154	6.1	12998	11815	16394	5.2	11555	10503	18857	6.0	13720	12472	16082	5.1	12171	11064
3	8	2.24	2.24	3.14	18447	5.9	15815	14376	15629	5.0	13826	12567	18093	5.8	16634	15120	15275	4.9	14504	13184

ICH11 - AMMONIA & R-22 RATINGS, SI UNITS, (Continued)

FL and RB CIRCUITING					3 Fins Per Inch						4 Fins Per Inch									
					0 Pa ESP			124 Pa ESP			0 Pa ESP			124 Pa ESP						
No. Fans	No. Rows	kW		Aface (m ²)	Air Flow		Watts / °C		Air Flow		Watts / °C		Air Flow		Watts / °C					
		60 Hz	50 Hz		L/s	m/s	Wet	Frosted	L/s	m/s	Wet	Frosted	L/s	m/s	Wet	Frosted				
4	4	0.56	0.56	4.18	15082	3.6	8953	8138	—	—	—	—	14780	3.5	9358	8506	—	—	—	—
4	6	0.56	0.56	4.18	14251	3.4	11133	10120	—	—	—	—	13874	3.3	11687	10624	—	—	—	—
4	8	0.56	0.56	4.18	13591	3.3	12809	11643	—	—	—	—	13100	3.1	13285	12076	—	—	—	—
4	4	0.75	0.75	4.18	17762	4.2	10164	9239	11684	2.8	7328	6661	17460	4.2	10604	9639	11326	2.7	7663	6966
4	6	0.75	0.75	4.18	16781	4.0	12608	11461	11080	2.7	9182	8346	16347	3.9	13228	12024	10589	2.5	9527	8660
4	8	0.75	0.75	4.18	15912	3.8	14705	13367	10589	2.5	10154	9230	15422	3.7	15324	13930	10023	2.4	10339	9399
4	4	1.12	1.12	4.18	20858	5.0	11501	10455	14157	3.4	8522	7746	20518	4.9	11969	10880	13704	3.3	8842	8037
4	6	1.12	1.12	4.18	19574	4.7	14171	12882	13062	3.1	10417	9469	19121	4.6	14887	13532	12496	3.0	10799	9816
4	8	1.12	1.12	4.18	18480	4.4	16690	15171	12251	2.9	11657	10596	17894	4.3	17378	15797	11571	2.8	11864	10784
4	4	1.49	1.49	4.18	22198	5.3	12064	10966	15233	3.6	9023	8202	21764	5.2	12510	11372	14818	3.5	9376	8522
4	6	1.49	1.49	4.18	20669	4.9	14768	13424	14063	3.4	11021	10018	20141	4.8	15481	14072	13515	3.2	11458	10416
4	8	1.49	1.49	4.18	19348	4.6	17340	15762	13175	3.2	12457	11323	18744	4.5	18061	16418	12534	3.0	12767	11605
4	4	2.24	2.24	4.18	26577	6.4	13843	12583	23482	5.6	12594	11448	26294	6.3	14417	13105	22670	5.4	12899	11725
4	6	2.24	2.24	4.18	25539	6.1	17330	15753	21858	5.2	15407	14005	25143	6.0	18293	16629	21443	5.1	16229	14752
4	8	2.24	2.24	4.18	24595	5.9	21087	19168	20839	5.0	18434	16757	24124	5.8	22178	20160	20367	4.9	19339	17579
5	4	0.56	0.56	5.23	18852	3.6	11191	10173	—	—	—	—	18475	3.5	11697	10633	—	—	—	—
5	6	0.56	0.56	5.23	17814	3.4	13917	12650	—	—	—	—	17342	3.3	14609	13280	—	—	—	—
5	8	0.56	0.56	5.23	16988	3.3	16011	14554	—	—	—	—	16375	3.1	16606	15095	—	—	—	—
5	4	0.75	0.75	5.23	22203	4.2	12704	11548	14605	2.8	9160	8326	21825	4.2	13255	12049	14157	2.7	9579	8707
5	6	0.75	0.75	5.23	20976	4.0	15760	14326	13850	2.7	11477	10433	20433	3.9	16534	15030	13237	2.5	11909	10825
5	8	0.75	0.75	5.23	19891	3.8	18381	16709	13237	2.5	12692	11537	19277	3.7	19156	17412	12529	2.4	12924	11748
5	4	1.12	1.12	5.23	26072	5.0	14377	13069	17696	3.4	10652	9683	25648	4.9	14962	13600	17130	3.3	11052	10046
5	6	1.12	1.12	5.23	24468	4.7	17714	16102	16328	3.1	13021	11836	23902	4.6	18609	16915	15620	3.0	13499	12270
5	8	1.12	1.12	5.23	23100	4.4	20862	18964	15313	2.9	14572	13246	22368	4.3	21723	19746	14464	2.8	14830	13480
5	4	1.49	1.49	5.23	27748	5.3	15080	13708	19041	3.6	11278	10252	27205	5.2	15638	14215	18522	3.5	11720	10653
5	6	1.49	1.49	5.23	25837	4.9	18460	16780	17578	3.4	13776	12522	25176	4.8	19351	17590	16894	3.2	14323	13020
5	8	1.49	1.49	5.23	24185	4.6	21675	19702	16469	3.2	15571	14154	23430	4.5	22576	20522	15667	3.0	15959	14507
5	4	2.24	2.24	5.23	33222	6.4	17303	15729	29352	5.6	15743	14310	32868	6.3	18021	16382	28338	5.4	16124	14657
5	6	2.24	2.24	5.23	31924	6.1	21663	19691	27323	5.2	19258	17506	31429	6.0	22867	20786	26804	5.1	20286	18440
5	8	2.24	2.24	5.23	30744	5.9	26359	23960	26049	5.0	23043	20946	30154	5.8	27723	25200	25459	4.9	24173	21974
6	4	0.56	0.56	6.27	22623	3.6	13430	12207	—	—	—	—	22170	3.5	14037	12759	—	—	—	—
6	6	0.56	0.56	6.27	21377	3.4	16700	15180	—	—	—	—	20811	3.3	17531	15936	—	—	—	—
6	8	0.56	0.56	6.27	20386	3.3	19213	17465	—	—	—	—	19650	3.1	19928	18114	—	—	—	—
6	4	0.75	0.75	6.27	26643	4.2	15245	13858	17526	2.8	10992	9991	26190	4.2	15906	14459	16988	2.7	11495	10449
6	6	0.75	0.75	6.27	25171	4.0	18912	17191	16620	2.7	13773	12519	24520	3.9	19841	18036	15884	2.5	14290	12990
6	8	0.75	0.75	6.27	23869	3.8	22058	20050	15884	2.5	15230	13844	23133	3.7	22987	20895	15035	2.4	15509	14098
6	4	1.12	1.12	6.27	31287	5.0	17252	15682	21236	3.4	12783	11620	30777	4.9	17954	16320	20556	3.3	13263	12056
6	6	1.12	1.12	6.27	29362	4.7	21257	19322	19593	3.1	15625	14203	28682	4.6	22330	20298	18744	3.0	16198	14724
6	8	1.12	1.12	6.27	27719	4.4	25035	22757	18376	2.9	17486	15895	26842	4.3	26067	23695	17356	2.8	17796	16176
6	4	1.49	1.49	6.27	33297	5.3	18096	16449	22849	3.6	13534	12303	32646	5.2	18766	17058	22226	3.5	14063	12784
6	6	1.49	1.49	6.27	31004	4.9	22152	20136	21094	3.4	16531	15027	30211	4.8	23221	21108	20273	3.2	17188	15624
6	8	1.49	1.49	6.27	29022	4.6	26010	23643	19763	3.2	18685	16985	28116	4.5	27092	24626	18800	3.0	19151	17408
6	4	2.24	2.24	6.27	39866	6.4	20764	18875	35223	5.6	18891	17172	39441	6.3	21626	19658	34005	5.4	19349	17588
6	6	2.24	2.24	6.27	38309	6.1	25995	23630	32788	5.2	23110	21007	37714	6.0	27440	24943	32165	5.1	24343	22128
6	8	2.24	2.24	6.27	36893	5.9	31631	28752	31259	5.0	27651	25135	36185	5.8	33268	30240	30551	4.9	29008	26368

ICH18 - AMMONIA & R-22 RATINGS, SI UNITS

SI Capacities of Colmac ICH Series Refrigeration Equipment, (Generated at -1°C EADB, 0.90 Sens. Heat Ratio)

FL and RB CIRCUITING					3 Fins Per Inch								4 Fins Per Inch							
					0 Pa ESP				124 Pa ESP				0 Pa ESP				124 Pa ESP			
No. Fans	No. Rows	kW		Aface (m ²)	Air Flow		Watts / °C		Air Flow		Watts / °C		Air Flow		Watts / °C		Air Flow		Watts / °C	
		60 Hz	50 Hz		L/s	m/s	Wet	Frosted	L/s	m/s	Wet	Frosted	L/s	m/s	Wet	Frosted	L/s	m/s	Wet	Frosted
1	4	0.75	0.75	1.67	5196	3.1	2773	2521	—	—	—	—	5139	3.1	2933	2666	—	—	—	—
1	6	0.75	0.75	1.67	5063	3.0	3704	3367	—	—	—	—	4974	3.0	3919	3562	—	—	—	—
1	8	0.75	0.75	1.67	4931	2.9	4237	3852	—	—	—	—	4823	2.9	4468	4062	—	—	—	—
1	4	1.12	1.12	1.67	6229	3.7	3189	2899	4337	2.6	2411	2191	6139	3.7	3345	3041	4224	2.5	2539	2308
1	6	1.12	1.12	1.67	5965	3.6	4198	3816	4181	2.5	3198	2907	5847	3.5	4428	4025	4021	2.4	3336	3032
1	8	1.12	1.12	1.67	5729	3.4	4755	4322	4039	2.4	3630	3300	5573	3.3	4988	4534	3851	2.3	3762	3419
1	4	1.49	1.49	1.67	7371	4.4	3627	3297	5554	3.3	2920	2654	7281	4.4	3796	3451	5441	3.3	3059	2781
1	6	1.49	1.49	1.67	7055	4.2	4769	4335	5276	3.2	3822	3475	6913	4.1	5024	4567	5125	3.1	4008	3644
1	8	1.49	1.49	1.67	6762	4.0	5399	4907	5049	3.0	4315	3922	6588	3.9	5663	5148	4865	2.9	4498	4089
1	4	2.24	2.24	1.67	8084	4.8	3892	3537	6696	4.0	3371	3064	8008	4.8	4074	3703	6602	3.9	3530	3209
1	6	2.24	2.24	1.67	7815	4.7	5154	4685	6413	3.8	4436	4032	7716	4.6	5458	4961	6290	3.8	4679	4253
1	8	2.24	2.24	1.67	7541	4.5	5866	5333	6139	3.7	5014	4558	7390	4.4	6178	5616	5951	3.6	5243	4766
1	4	3.73	3.73	1.67	10160	6.1	4630	4208	8541	5.1	4058	3689	10037	6.0	4820	4381	8419	5.0	4228	3843
1	6	3.73	3.73	1.67	9731	5.8	6084	5530	8065	4.8	5278	4798	9570	5.7	6418	5834	7885	4.7	5548	5043
1	8	3.73	3.73	1.67	9268	5.5	6862	6237	7631	4.6	5919	5381	9027	5.4	7187	6533	7428	4.4	6202	5638
2	4	0.75	0.75	3.34	10391	3.1	5547	5042	—	—	—	—	10278	3.1	5866	5333	—	—	—	—
2	6	0.75	0.75	3.34	10127	3.0	7408	6734	—	—	—	—	9948	3.0	7838	7124	—	—	—	—
2	8	0.75	0.75	3.34	9863	2.9	8474	7703	—	—	—	—	9646	2.9	8937	8124	—	—	—	—
2	4	1.12	1.12	3.34	12458	3.7	6378	5798	8674	2.6	4821	4382	12279	3.7	6690	6081	8447	2.5	5079	4616
2	6	1.12	1.12	3.34	11930	3.6	8395	7631	8362	2.5	6395	5813	11694	3.5	8856	8050	8041	2.4	6671	6064
2	8	1.12	1.12	3.34	11458	3.4	9510	8645	8079	2.4	7260	6599	11146	3.3	9977	9069	7701	2.3	7523	6839
2	4	1.49	1.49	3.34	14742	4.4	7255	6594	11109	3.3	5840	5309	14563	4.4	7592	6901	10882	3.3	6119	5562
2	6	1.49	1.49	3.34	14110	4.2	9538	8670	10552	3.2	7645	6949	13827	4.1	10049	9135	10250	3.1	8017	7287
2	8	1.49	1.49	3.34	13525	4.0	10797	9815	10099	3.0	8630	7845	13175	3.9	11327	10296	9731	2.9	8997	8178
2	4	2.24	2.24	3.34	16167	4.8	7783	7075	13393	4.0	6741	6128	16016	4.8	8148	7406	13204	3.9	7060	6417
2	6	2.24	2.24	3.34	15629	4.7	10308	9370	12826	3.8	8871	8064	15431	4.6	10916	9922	12581	3.8	9358	8507
2	8	2.24	2.24	3.34	15082	4.5	11733	10665	12279	3.7	10028	9116	14780	4.4	12356	11232	11901	3.6	10486	9532
2	4	3.73	3.73	3.34	20320	6.1	9259	8417	17083	5.1	8116	7378	20075	6.0	9639	8762	16837	5.0	8456	7687
2	6	3.73	3.73	3.34	19461	5.8	12168	11061	16130	4.8	10557	9596	19140	5.7	12837	11669	15771	4.7	11096	10086
2	8	3.73	3.73	3.34	18536	5.5	13723	12474	15261	4.6	11839	10762	18055	5.4	14374	13066	14855	4.4	12404	11275
3	4	0.75	0.75	5.02	15587	3.1	8320	7563	—	—	—	—	15417	3.1	8800	7999	—	—	—	—
3	6	0.75	0.75	5.02	15190	3.0	11112	10101	—	—	—	—	14921	3.0	11756	10687	—	—	—	—
3	8	0.75	0.75	5.02	14794	2.9	12712	11555	—	—	—	—	14468	2.9	13405	12185	—	—	—	—
3	4	1.12	1.12	5.02	18687	3.7	9567	8696	13010	2.6	7232	6574	18418	3.7	10035	9122	12671	2.5	7618	6925
3	6	1.12	1.12	5.02	17894	3.6	12593	11447	12543	2.5	9593	8720	17541	3.5	13284	12075	12062	2.4	10007	9096
3	8	1.12	1.12	5.02	17187	3.4	14266	12967	12118	2.4	10890	9899	16719	3.3	14965	13603	11552	2.3	11285	10258
3	4	1.49	1.49	5.02	22113	4.4	10882	9892	16663	3.3	8760	7963	21844	4.4	11388	10352	16323	3.3	9178	8343
3	6	1.49	1.49	5.02	21165	4.2	14307	13005	15828	3.2	11467	10424	20740	4.1	15073	13702	15375	3.1	12025	10931
3	8	1.49	1.49	5.02	20287	4.0	16196	14722	15148	3.0	12945	11767	19763	3.9	16990	15444	14596	2.9	13495	12267
3	4	2.24	2.24	5.02	24251	4.8	11675	10612	20089	4.0	10112	9192	24024	4.8	12222	11109	19806	3.9	10590	9626
3	6	2.24	2.24	5.02	23444	4.7	15462	14055	19239	3.8	13307	12096	23147	4.6	16373	14883	18871	3.8	14038	12760
3	8	2.24	2.24	5.02	22623	4.5	17599	15998	18418	3.7	15043	13674	22170	4.4	18535	16848	17852	3.6	15729	14298
3	4	3.73	3.73	5.02	30480	6.1	13889	12625	25624	5.1	12175	11067	30112	6.0	14459	13143	25256	5.0	12685	11530
3	6	3.73	3.73	5.02	29192	5.8	18252	16591	24194	4.8	15835	14394	28710	5.7	19255	17503	23656	4.7	16644	15130
3	8	3.73	3.73	5.02	27804	5.5	20585	18711	22892	4.6	17758	16142	27082	5.4	21561	19599	22283	4.4	18606	16913

ICH18 - AMMONIA & R-22 RATINGS, SI UNITS, (Continued)

FL and RB CIRCUITING					3 Fins Per Inch								4 Fins Per Inch							
					0 Pa ESP				124 Pa ESP				0 Pa ESP				124 Pa ESP			
No. Fans	No. Rows	kW		Aface (m ²)	Air Flow		Watts / °C		Air Flow		Watts / °C		Air Flow		Watts / °C		Air Flow		Watts / °C	
		60 Hz	50 Hz		L/s	m/s	Wet	Frosted	L/s	m/s	Wet	Frosted	L/s	m/s	Wet	Frosted	L/s	m/s	Wet	Frosted
4	4	0.75	0.75	6.69	20782	3.1	11094	10084	—	—	—	—	20556	3.1	11733	10665	—	—	—	—
4	6	0.75	0.75	6.69	20254	3.0	14816	13468	—	—	—	—	19895	3.0	15675	14249	—	—	—	—
4	8	0.75	0.75	6.69	19725	2.9	16949	15406	—	—	—	—	19291	2.9	17874	16247	—	—	—	—
4	4	1.12	1.12	6.69	24916	3.7	12756	11595	17347	2.6	9642	8765	24558	3.7	13380	12163	16894	2.5	10157	9233
4	6	1.12	1.12	6.69	23859	3.6	16791	15263	16724	2.5	12791	11627	23387	3.5	17712	16100	16082	2.4	13343	12128
4	8	1.12	1.12	6.69	22915	3.4	19021	17290	16158	2.4	14519	13198	22293	3.3	19953	18138	15403	2.3	15046	13677
4	4	1.49	1.49	6.69	29484	4.4	14509	13189	22217	3.3	11680	10617	29126	4.4	15184	13802	21764	3.3	12238	11124
4	6	1.49	1.49	6.69	28220	4.2	19077	17341	21103	3.2	15289	13898	27653	4.1	20098	18269	20499	3.1	16034	14575
4	8	1.49	1.49	6.69	27049	4.0	21595	19630	20197	3.0	17261	15690	26351	3.9	22653	20592	19461	2.9	17993	16356
4	4	2.24	2.24	6.69	32335	4.8	15567	14150	26785	4.0	13483	12256	32033	4.8	16296	14813	26408	3.9	14120	12835
4	6	2.24	2.24	6.69	31259	4.7	20615	18739	25652	3.8	17743	16128	30862	4.6	21831	19845	25162	3.8	18717	17014
4	8	2.24	2.24	6.69	30164	4.5	23466	21330	24558	3.7	20057	18232	29560	4.4	24713	22464	23803	3.6	20972	19063
4	4	3.73	3.73	6.69	40640	6.1	18519	16834	34166	5.1	16233	14756	40149	6.0	19279	17524	33675	5.0	16913	15374
4	6	3.73	3.73	6.69	38922	5.8	24336	22122	32259	4.8	21113	19192	38281	5.7	25674	23338	31542	4.7	22192	20173
4	8	3.73	3.73	6.69	37072	5.5	27446	24948	30522	4.6	23678	21523	36110	5.4	28748	26132	29711	4.4	24808	22551
5	4	0.75	0.75	8.36	25978	3.1	13867	12605	—	—	—	—	25695	3.1	14666	13331	—	—	—	—
5	6	0.75	0.75	8.36	25317	3.0	18521	16835	—	—	—	—	24869	3.0	19594	17811	—	—	—	—
5	8	0.75	0.75	8.36	24657	2.9	21186	19258	—	—	—	—	24114	2.9	22342	20309	—	—	—	—
5	4	1.12	1.12	8.36	31145	3.7	15945	14494	21684	2.6	12053	10956	30697	3.7	16725	15203	21118	2.5	12697	11541
5	6	1.12	1.12	8.36	29824	3.6	20988	19078	20905	2.5	15988	14533	29234	3.5	22140	20125	20103	2.4	16678	15161
5	8	1.12	1.12	8.36	28644	3.4	23776	21612	20197	2.4	18149	16498	27866	3.3	24942	22672	19254	2.3	18808	17097
5	4	1.49	1.49	8.36	36855	4.4	18136	16486	27771	3.3	14600	13271	36407	4.4	18980	17253	27205	3.3	15297	13905
5	6	1.49	1.49	8.36	35275	4.2	23846	21676	26379	3.2	19112	17373	34567	4.1	25122	22836	25624	3.1	20042	18218
5	8	1.49	1.49	8.36	33812	4.0	26993	24537	25247	3.0	21576	19612	32939	3.9	28317	25740	24326	2.9	22492	20445
5	4	2.24	2.24	8.36	40418	4.8	19458	17687	33481	4.0	16853	15320	40041	4.8	20369	18516	33009	3.9	17649	16043
5	6	2.24	2.24	8.36	39073	4.7	25769	23424	32066	3.8	22179	20160	38578	4.6	27289	24806	31452	3.8	23396	21267
5	8	2.24	2.24	8.36	37705	4.5	29332	26663	30697	3.7	25071	22790	36950	4.4	30891	28080	29753	3.6	26215	23829
5	4	3.73	3.73	8.36	50800	6.1	23149	21042	42707	5.1	20291	18445	50187	6.0	24098	21905	42093	5.0	21141	19217
5	6	3.73	3.73	8.36	48653	5.8	30420	27652	40324	4.8	26392	23990	47851	5.7	32092	29172	39427	4.7	27740	25216

ICH20 - AMMONIA & R-22 RATINGS, SI UNITS

SI Capacities of Colmac ICH Series Refrigeration Equipment, (Generated at -1°C EADB, 0.90 Sens. Heat Ratio)

FL and RB CIRCUITING					3 Fins Per Inch								4 Fins Per Inch							
					0 Pa ESP				124 Pa ESP				0 Pa ESP				124 Pa ESP			
No. Fans	No. Rows	kW		Aface (m ²)	Air Flow		Watts / °C		Air Flow		Watts / °C		Air Flow		Watts / °C		Air Flow		Watts / °C	
		60 Hz	50 Hz		L/s	m/s	Wet	Frosted	L/s	m/s	Wet	Frosted	L/s	m/s	Wet	Frosted	L/s	m/s	Wet	Frosted
1	4	1.12	1.12	1.88	6338	3.4	3321	3019	—	—	—	—	6253	3.3	3496	3178	—	—	—	—
1	6	1.12	1.12	1.88	6111	3.2	4397	3997	—	—	—	—	5993	3.2	4643	4221	—	—	—	—
1	8	1.12	1.12	1.88	5918	3.1	5010	4554	—	—	—	—	5762	3.1	5263	4784	—	—	—	—
1	4	1.49	1.49	1.88	7489	4.0	3775	3431	5686	3.0	3054	2776	7399	3.9	3960	3600	5573	3.0	3212	2920
1	6	1.49	1.49	1.88	7215	3.8	4990	4536	5455	2.9	4031	3664	7088	3.8	5270	4791	5295	2.8	4228	3843
1	8	1.49	1.49	1.88	6951	3.7	5669	5153	5252	2.8	4569	4154	6795	3.6	5966	5423	5059	2.7	4765	4332
1	4	2.24	2.24	1.88	8169	4.3	4034	3667	6800	3.6	3506	3187	8103	4.3	4236	3850	6715	3.6	3686	3350
1	6	2.24	2.24	1.88	7942	4.2	5368	4880	6555	3.5	4639	4216	7843	4.2	5688	5171	6441	3.4	4903	4457
1	8	2.24	2.24	1.88	7734	4.1	6151	5591	6338	3.4	5281	4800	7588	4.0	6486	5896	6187	3.3	5555	5050
1	4	3.73	3.73	1.88	10287	5.5	4808	4371	8683	4.6	4226	3842	10179	5.4	5019	4562	8574	4.6	4418	4016
1	6	3.73	3.73	1.88	9900	5.3	6344	5767	8287	4.4	5544	5039	9749	5.2	6701	6092	8117	4.3	5837	5306
1	8	3.73	3.73	1.88	9528	5.1	7209	6553	7909	4.2	6256	5687	9320	5.0	7578	6888	7697	4.1	6556	5960
2	4	1.12	1.12	3.76	12675	3.4	6642	6038	—	—	—	—	12505	3.3	6993	6356	—	—	—	—
2	6	1.12	1.12	3.76	12222	3.2	8794	7994	—	—	—	—	11986	3.2	9287	8442	—	—	—	—
2	8	1.12	1.12	3.76	11835	3.1	10020	9108	—	—	—	—	11524	3.1	10525	9567	—	—	—	—
2	4	1.49	1.49	3.76	14978	4.0	7550	6863	11373	3.0	6109	5553	14799	3.9	7920	7200	11146	3.0	6424	5839
2	6	1.49	1.49	3.76	14431	3.8	9981	9073	10910	2.9	8063	7329	14176	3.8	10541	9582	10589	2.8	8456	7687
2	8	1.49	1.49	3.76	13902	3.7	11337	10306	10504	2.8	9139	8307	13591	3.6	11931	10846	10118	2.7	9531	8663
2	4	2.24	2.24	3.76	16337	4.3	8068	7334	13600	3.6	7012	6373	16205	4.3	8472	7701	13430	3.6	7371	6700
2	6	2.24	2.24	3.76	15884	4.2	10736	9759	13109	3.5	9277	8433	15686	4.2	11377	10341	12883	3.4	9807	8914
2	8	2.24	2.24	3.76	15469	4.1	12301	11182	12675	3.4	10562	9601	15176	4.0	12972	11792	12373	3.3	11110	10099
2	4	3.73	3.73	3.76	20575	5.5	9617	8742	17366	4.6	8453	7684	20358	5.4	10038	9124	17149	4.6	8835	8031
2	6	3.73	3.73	3.76	19801	5.3	12688	11533	16573	4.4	11088	10079	19499	5.2	13403	12183	16233	4.3	11675	10612
2	8	3.73	3.73	3.76	19055	5.1	14417	13105	15818	4.2	12513	11374	18640	5.0	15155	13776	15393	4.1	13113	11919
3	4	1.12	1.12	5.64	19013	3.4	9963	9056	—	—	—	—	18758	3.3	10489	9534	—	—	—	—
3	6	1.12	1.12	5.64	18333	3.2	13191	11991	—	—	—	—	17979	3.2	13930	12663	—	—	—	—
3	8	1.12	1.12	5.64	17753	3.1	15030	13662	—	—	—	—	17286	3.1	15788	14351	—	—	—	—
3	4	1.49	1.49	5.64	22467	4.0	11325	10294	17059	3.0	9163	8329	22198	3.9	11880	10799	16719	3.0	9636	8759
3	6	1.49	1.49	5.64	21646	3.8	14971	13609	16365	2.9	12094	10993	21264	3.8	15811	14372	15884	2.8	12684	11530
3	8	1.49	1.49	5.64	20853	3.7	17006	15458	15757	2.8	13708	12461	20386	3.6	17897	16268	15176	2.7	14296	12995
3	4	2.24	2.24	5.64	24506	4.3	12102	11001	20400	3.6	10517	9560	24308	4.3	12708	11551	20145	3.6	11057	10051
3	6	2.24	2.24	5.64	23826	4.2	16104	14639	19664	3.5	13916	12649	23529	4.2	17065	15512	19324	3.4	14710	13372
3	8	2.24	2.24	5.64	23203	4.1	18452	16773	19013	3.4	15843	14401	22764	4.0	19459	17688	18560	3.3	16666	15149
3	4	3.73	3.73	5.64	30862	5.5	14425	13113	26049	4.6	12679	11526	30537	5.4	15056	13686	25723	4.6	13253	12047
3	6	3.73	3.73	5.64	29701	5.3	19032	17300	24860	4.4	16631	15118	29248	5.2	20104	18275	24350	4.3	17512	15918
3	8	3.73	3.73	5.64	28583	5.1	21626	19658	23727	4.2	18769	17061	27960	5.0	22733	20664	23090	4.1	19669	17879
4	4	1.12	1.12	7.52	25350	3.4	13284	12075	—	—	—	—	25011	3.3	13985	12713	—	—	—	—
4	6	1.12	1.12	7.52	24444	3.2	17588	15988	—	—	—	—	23973	3.2	18574	16883	—	—	—	—
4	8	1.12	1.12	7.52	23671	3.1	20040	18216	—	—	—	—	23048	3.1	21050	19135	—	—	—	—
4	4	1.49	1.49	7.52	29956	4.0	15100	13726	22746	3.0	12218	11106	29598	3.9	15841	14399	22293	3.0	12848	11678
4	6	1.49	1.49	7.52	28861	3.8	19962	18145	21821	2.9	16125	14658	28352	3.8	21082	19163	21179	2.8	16913	15374
4	8	1.49	1.49	7.52	27804	3.7	22675	20611	21009	2.8	18278	16614	27181	3.6	23863	21691	20235	2.7	19062	17327
4	4	2.24	2.24	7.52	32674	4.3	16136	14668	27200	3.6	14023	12747	32410	4.3	16944	15402	26861	3.6	14742	13401
4	6	2.24	2.24	7.52	31768	4.2	21472	19518	26219	3.5	18554	16866	31372	4.2	22754	20683	25766	3.4	19614	17829
4	8	2.24	2.24	7.52	30938	4.1	24603	22364	25350	3.4	21124	19202	30353	4.0	25945	23584	24746	3.3	22221	20199
4	4	3.73	3.73	7.52	41150	5.5	19234	17483	34732	4.6	16906	15367	40716	5.4	20075	18248	34298	4.6	17671	16063
4	6	3.73	3.73	7.52	39602	5.3	25375	23066	33146	4.4	22175	20157	38998	5.2	26805	24366	32467	4.3	23349	21225
4	8	3.73	3.73	7.52	38111	5.1	28835	26211	31636	4.2	25025	22748	37280	5.0	30310	27552	30787	4.1	26225	23839
5	4	1.12	1.12	9.41	31688	3.4	16605	15094	—	—	—	—	31263	3.3	17481	15891	—	—	—	—
5	6	1.12	1.12	9.41	30556	3.2	21985	19985	—	—	—	—	29966	3.2	23217	21104	—	—	—	—
5	8	1.12	1.12	9.41	29588	3.1	25050	22770	—	—	—	—	28809	3.1	26313	23919	—	—	—	—
5	4	1.49	1.49	9.41	37445	4.0	18875	17157	28432	3.0	15272	13882	36997	3.9	19801	17999	27866	3.0	16059	14598
5	6	1.49	1.49	9.41	36077	3.8	24952	22682	27276	2.9	20156	18322	35440	3.8	26352	23954	26474	2.8	21141	19217
5	8	1.49	1.49	9.41	34755	3.7	28343	25764	26261	2.8	22847	20768	33977	3.6	29828	27114	25294	2.7	23827	21659
5	4	2.24	2.24	9.41	40843	4.3	20170	18335	34000	3.6	17529	15934	40513	4.3	21180	19252	33576	3.6	18428	16751
5	6	2.24	2.24	9.41	39710	4.2	26840	24398	32773	3.5	23193	21082	39215	4.2	28442	25854	32207	3.4	24517	22286
5	8	2.24	2.24	9.41	38672	4.1	30753	27955	31688	3.4	26405	24002	37941	4.0	32431	29480	30933	3.3	27776	25248
5	4	3.73	3.73	9.41	51437	5.5	24042	21854	43415	4.6	21132	19209	50894	5.4	25094	22810	42872	4.6	22089	20079
5	6	3.73	3.73	9.41	49502	5.3	31719	28833	41433	4.4	27719	25197	48747	5.2	33507	30458	40583	4.3	29187	26531
5	8	3.73	3.73	9.41	47638	5.1	36043	32763	39545	4.2	31281	28435	46600	5.0	37888	34440	38483	4.1	32782	29799

ICH22 - AMMONIA & R-22 RATINGS, SI UNITS

SI Capacities of Colmac ICH Series Refrigeration Equipment, (Generated at -1°C EADB, 0.90 Sens. Heat Ratio)

FL and RB CIRCUITING				3 Fins Per Inch								4 Fins Per Inch								
				0 Pa ESP				124 Pa ESP				0 Pa ESP				124 Pa ESP				
No. Fans	No. Rows	kW		Aface (m²)	Air Flow		Watts / °C		Air Flow		Watts / °C		Air Flow		Watts / °C		Air Flow		Watts / °C	
		60 Hz	50 Hz		L/s	m/s	Wet	Frosted	L/s	m/s	Wet	Frosted	L/s	m/s	Wet	Frosted	L/s	m/s	Wet	Frosted
1	4	1.49	1.49	2.09	9650	4.6	4697	4270	6607	3.2	3513	3193	9504	4.5	4900	4454	6432	3.1	3670	3336
1	6	1.49	1.49	2.09	9098	4.4	6104	5549	6229	3.0	4574	4158	8876	4.2	6409	5826	5998	2.9	4767	4333
1	8	1.49	1.49	2.09	8617	4.1	6848	6225	5922	2.8	5135	4668	8324	4.0	7138	6488	5649	2.7	5315	4831
1	4	2.24	2.24	2.09	10816	5.2	5123	4657	8235	3.9	4161	3782	10651	5.1	5333	4847	8069	3.9	4340	3945
1	6	2.24	2.24	2.09	10217	4.9	6665	6059	7744	3.7	5401	4909	10000	4.8	7011	6373	7541	3.6	5667	5152
1	8	2.24	2.24	2.09	9688	4.6	7488	6806	7343	3.5	6059	5508	9443	4.5	7852	7138	7060	3.4	6299	5726
1	4	3.73	3.73	2.09	12123	5.8	5587	5078	10245	4.9	4916	4469	11991	5.7	5825	5295	10108	4.8	5129	4663
1	6	3.73	3.73	2.09	11623	5.6	7348	6680	9731	4.7	6423	5839	11425	5.5	7750	7045	9532	4.6	6762	6147
1	8	3.73	3.73	2.09	11132	5.3	8321	7564	9259	4.4	7234	6575	10873	5.2	8735	7940	9023	4.3	7586	6896
2	4	1.49	1.49	4.18	19301	4.6	9394	8539	13213	3.2	7026	6386	19008	4.5	9800	8908	12864	3.1	7340	6672
2	6	1.49	1.49	4.18	18196	4.4	12209	11098	12458	3.0	9148	8315	17753	4.2	12818	11651	11996	2.9	9534	8667
2	8	1.49	1.49	4.18	17234	4.1	13696	12450	11845	2.8	10270	9336	16649	4.0	14275	12976	11297	2.7	10630	9662
2	4	2.24	2.24	4.18	21632	5.2	10246	9314	16469	3.9	8322	7565	21302	5.1	10665	9695	16139	3.9	8679	7890
2	6	2.24	2.24	4.18	20433	4.9	13330	12117	15488	3.7	10801	9818	19999	4.8	14021	12745	15082	3.6	11335	10303
2	8	2.24	2.24	4.18	19376	4.6	14975	13612	14686	3.5	12119	11016	18885	4.5	15704	14275	14119	3.4	12597	11451
2	4	3.73	3.73	4.18	24246	5.8	11173	10157	20490	4.9	9832	8937	23982	5.7	11649	10589	20216	4.8	10259	9325
2	6	3.73	3.73	4.18	23246	5.6	14697	13359	19461	4.7	12847	11678	22849	5.5	15500	14090	19065	4.6	13525	12294
2	8	3.73	3.73	4.18	22264	5.3	16643	15128	18517	4.4	14467	13151	21745	5.2	17470	15880	18045	4.3	15173	13792
3	4	1.49	1.49	6.27	28951	4.6	14091	12809	19820	3.2	10539	9580	28512	4.5	14699	13362	19296	3.1	11010	10008
3	6	1.49	1.49	6.27	27295	4.4	18313	16647	18687	3.0	13722	12473	26629	4.2	19226	17477	17994	2.9	14301	13000
3	8	1.49	1.49	6.27	25851	4.1	20544	18675	17767	2.8	15406	14004	24973	4.0	21413	19464	16946	2.7	15945	14494
3	4	2.24	2.24	6.27	32448	5.2	15369	13970	24704	3.9	12483	11347	31952	5.1	15998	14542	24208	3.9	13019	11834
3	6	2.24	2.24	6.27	30650	4.9	19995	18176	23232	3.7	16202	14727	29999	4.8	21032	19118	22623	3.6	17002	15455
3	8	2.24	2.24	6.27	29064	4.6	22463	20419	22028	3.5	18178	16524	28328	4.5	23557	21413	21179	3.4	18896	17177
3	4	3.73	3.73	6.27	36369	5.8	16760	15235	30735	4.9	14748	13406	35973	5.7	17474	15884	30324	4.8	15388	13988
3	6	3.73	3.73	6.27	34869	5.6	22045	20039	29192	4.7	19270	17517	34274	5.5	23250	21135	28597	4.6	20287	18441
3	8	3.73	3.73	6.27	33396	5.3	24964	22692	27776	4.4	21701	19726	32618	5.2	26205	23820	27068	4.3	22759	20688
4	4	1.49	1.49	8.36	38601	4.6	18788	17078	26426	3.2	14052	12773	38016	4.5	19599	17816	25728	3.1	14680	13344
4	6	1.49	1.49	8.36	36393	4.4	24417	22195	24916	3.0	18296	16631	35506	4.2	25635	23302	23991	2.9	19069	17333
4	8	1.49	1.49	8.36	34468	4.1	27392	24899	23689	2.8	20541	18672	33297	4.0	28550	25952	22595	2.7	21259	19325
4	4	2.24	2.24	8.36	43264	5.2	20492	18627	32939	3.9	16644	15129	42603	5.1	21331	19390	32278	3.9	17359	15779
4	6	2.24	2.24	8.36	40867	4.9	26660	24234	30976	3.7	21602	19637	39998	4.8	28042	25490	30164	3.6	22669	20606
4	8	2.24	2.24	8.36	38752	4.6	29950	27225	29371	3.5	24237	22032	37771	4.5	31409	28551	28238	3.4	25195	22902
4	4	3.73	3.73	8.36	48492	5.8	22347	20313	40980	4.9	19664	17874	47964	5.7	23298	21178	40432	4.8	20517	18650
4	6	3.73	3.73	8.36	46492	5.6	29393	26718	38922	4.7	25694	23356	45699	5.5	31000	28179	38130	4.6	27050	24588
4	8	3.73	3.73	8.36	44528	5.3	33285	30256	37035	4.4	28934	26301	43490	5.2	34940	31761	36091	4.3	30346	27585
5	4	1.49	1.49	10.45	48252	4.6	23485	21348	33033	3.2	17565	15966	47520	4.5	24499	22269	32160	3.1	18350	16680
5	6	1.49	1.49	10.45	45491	4.4	30522	27744	31145	3.0	22869	20788	44382	4.2	32044	29128	29989	2.9	23836	21667
5	8	1.49	1.49	10.45	43084	4.1	34240	31124	29612	2.8	25676	23340	41622	4.0	35688	32440	28243	2.7	26574	24156
5	4	2.24	2.24	10.45	54080	5.2	25615	23284	41173	3.9	20805	18912	53254	5.1	26664	24237	40347	3.9	21699	19724
5	6	2.24	2.24	10.45	51083	4.9	33326	30293	38719	3.7	27003	24546	49998	4.8	35053	31863	37705	3.6	28337	25758
5	8	2.24	2.24	10.45	48441	4.6	37438	34031	36714	3.5	30296	27540	47214	4.5	39261	35688	35298	3.4	31493	28628
5	4	3.73	3.73	10.45	60616	5.8	27933	25391	51225	4.9	24580	22343	59955	5.7	29123	26473	50540	4.8	25647	23313
5	6	3.73	3.73	10.45	58114	5.6	36742	33398	48653	4.7	32117	29195	57123	5.5	38751	35224	47662	4.6	33812	30735

ICH28 - AMMONIA & R-22 RATINGS, SI UNITS

SI Capacities of Colmac ICH Series Refrigeration Equipment, (Generated at -1°C EADB, 0.90 Sens. Heat Ratio)

FL and RB CIRCUITING					3 Fins Per Inch								4 Fins Per Inch							
					0 Pa ESP				124 Pa ESP				0 Pa ESP				124 Pa ESP			
No. Fans	No. Rows	kW		Aface (m ²)	Air Flow		Watts / °C		Air Flow		Watts / °C		Air Flow		Watts / °C		Air Flow		Watts / °C	
		60 Hz	50 Hz		L/s	m/s	Wet	Frosted	L/s	m/s	Wet	Frosted	L/s	m/s	Wet	Frosted	L/s	m/s	Wet	Frosted
1	4	2.24	2.24	2.61	11123	4.3	5519	5017	8589	3.3	4526	4114	11005	4.2	5786	5260	8438	3.2	4754	4321
1	6	2.24	2.24	2.61	10717	4.1	7294	6630	8220	3.1	5960	5417	10514	4.0	7692	6992	8013	3.1	6266	5696
1	8	2.24	2.24	2.61	10297	3.9	8271	7518	7810	3.0	6690	6081	10051	3.8	8691	7900	7649	2.9	7062	6419
1	4	3.73	3.73	2.61	12387	4.7	5991	5446	10547	4.0	5299	4817	12284	4.7	6279	5707	10424	4.0	5559	5053
1	6	3.73	3.73	2.61	12000	4.6	7948	7224	10174	3.9	7011	6373	11859	4.5	8423	7656	10009	3.8	7412	6738
1	8	3.73	3.73	2.61	11642	4.5	9083	8256	9820	3.8	7976	7251	11448	4.4	9591	8718	9594	3.7	8389	7626
1	4	5.60	5.60	2.61	13916	5.3	6546	5950	12354	4.7	5979	5435	13813	5.3	6851	6228	12251	4.7	6266	5696
1	6	5.60	5.60	2.61	13534	5.2	8706	7913	12095	4.6	7995	7268	13383	5.1	9226	8386	11821	4.5	8403	7638
1	8	5.60	5.60	2.61	13157	5.0	9968	9061	11613	4.4	9066	8241	12954	5.0	10530	9572	11434	4.4	9582	8710
2	4	2.24	2.24	5.23	22245	4.3	11038	10033	17177	3.3	9052	8228	22009	4.2	11573	10520	16875	3.2	9507	8642
2	6	2.24	2.24	5.23	21434	4.1	14588	13260	16441	3.1	11919	10835	21028	4.0	15385	13985	16026	3.1	12533	11392
2	8	2.24	2.24	5.23	20594	3.9	16542	15036	15620	3.0	13380	12162	20103	3.8	17382	15800	15299	2.9	14124	12839
2	4	3.73	3.73	5.23	24775	4.7	11983	10892	21094	4.0	10598	9634	24567	4.7	12557	11414	20849	4.0	11117	10105
2	6	3.73	3.73	5.23	24001	4.6	15895	14449	20348	3.9	14023	12747	23718	4.5	16846	15313	20018	3.8	14824	13475
2	8	3.73	3.73	5.23	23284	4.5	18165	16512	19640	3.8	15953	14501	22897	4.4	19182	17436	19187	3.7	16778	15251
2	4	5.60	5.60	5.23	27833	5.3	13092	11901	24709	4.7	11958	10870	27625	5.3	13702	12455	24501	4.7	12532	11392
2	6	5.60	5.60	5.23	27068	5.2	17411	15827	24190	4.6	15990	14535	26766	5.1	18451	16772	23642	4.5	16805	15276
2	8	5.60	5.60	5.23	26313	5.0	19936	18122	23227	4.4	18132	16482	25907	5.0	21060	19143	22868	4.4	19164	17420
3	4	2.24	2.24	7.84	33368	4.3	16556	15050	25766	3.3	13578	12342	33014	4.2	17359	15780	25313	3.2	14261	12963
3	6	2.24	2.24	7.84	32151	4.1	21882	19891	24661	3.1	17879	16252	31542	4.0	23077	20977	24039	3.1	18799	17088
3	8	2.24	2.24	7.84	30891	3.9	24812	22554	23430	3.0	20070	18243	30154	3.8	26073	23700	22948	2.9	21186	19258
3	4	3.73	3.73	7.84	37162	4.7	17974	16338	31641	4.0	15897	14450	36851	4.7	18836	17122	31273	4.0	16676	15158
3	6	3.73	3.73	7.84	36001	4.6	23843	21673	30522	3.9	21034	19120	35577	4.5	25268	22969	30027	3.8	22236	20213
3	8	3.73	3.73	7.84	34925	4.5	27248	24768	29461	3.8	23929	21752	34345	4.4	28773	26155	28781	3.7	25167	22877
3	4	5.60	5.60	7.84	41749	5.3	19638	17851	37063	4.7	17937	16305	41438	5.3	20553	18683	36752	4.7	18798	17087
3	6	5.60	5.60	7.84	40602	5.2	26117	23740	36284	4.6	23985	21803	40149	5.1	27677	25158	35463	4.5	25208	22914
3	8	5.60	5.60	7.84	39470	5.0	29904	27183	34840	4.4	27197	24722	38861	5.0	31590	28715	34302	4.4	28746	26130
4	4	2.24	2.24	10.45	44491	4.3	22075	20066	34354	3.3	18104	16456	44019	4.2	23146	21039	33750	3.2	19015	17285
4	6	2.24	2.24	10.45	42867	4.1	29176	26521	32882	3.1	23839	21669	42056	4.0	30770	27969	32051	3.1	25065	22784
4	8	2.24	2.24	10.45	41187	3.9	33083	30072	31240	3.0	26760	24324	40206	3.8	34764	31600	30598	2.9	28249	25678
4	4	3.73	3.73	10.45	49550	4.7	23965	21784	42188	4.0	21196	19267	49134	4.7	25114	22829	41697	4.0	22234	20211
4	6	3.73	3.73	10.45	48002	4.6	31791	28898	40697	3.9	28046	25494	47435	4.5	33691	30625	40036	3.8	29649	26951
4	8	3.73	3.73	10.45	46567	4.5	36330	33024	39281	3.8	31906	29002	45793	4.4	38364	34873	38375	3.7	33557	30503
4	4	5.60	5.60	10.45	55665	5.3	26184	23801	49417	4.7	23916	21740	55250	5.3	27404	24910	49002	4.7	25064	22783
4	6	5.60	5.60	10.45	54136	5.2	34823	31654	48379	4.6	31980	29070	53532	5.1	36902	33544	47284	4.5	33610	30552
4	8	5.60	5.60	10.45	52626	5.0	39873	36244	46454	4.4	36263	32963	51815	5.0	42120	38287	45737	4.4	38328	34840

ICH11 - AMMONIA & R-22 RATINGS, SI UNITS

SI Capacities of Colmac ICH Series Refrigeration Equipment, (Generated at -1°C EADB, 0.90 Sens. Heat Ratio)

DX and RT CIRCUITING				4 FPI - 0 Pa ESP						4 FPI - 124 Pa ESP						
				Watts / C°		Watts / C°		Watts / C°		Watts / C°		Watts / C°		Watts / C°		
No. Fans	No. Rows	kW		Face Area (m ²)	Air Flow		DX		RT		Air Flow		DX		RT	
		60 Hz	50 Hz		L/s	m/s	Wet	Frosted	Wet	Frosted	L/s	m/s	Wet	Frosted	Wet	Frosted
1	4	0.56	0.56	1.05	3582	3.4	1775	1614	1987	1806	—	—	—	—	—	—
1	6	0.56	0.56	1.05	3336	3.2	2139	1945	2584	2349	—	—	—	—	—	—
1	8	0.56	0.56	1.05	3133	3.0	2470	2245	2876	2615	—	—	—	—	—	—
1	4	0.75	0.75	1.05	4209	4.0	2008	1825	2239	2035	2765	2.6	1456	1324	1642	1493
1	6	0.75	0.75	1.05	3903	3.7	2417	2197	2908	2644	2581	2.5	1746	1588	2128	1934
1	8	0.75	0.75	1.05	3643	3.5	2784	2531	3226	2932	2454	2.3	2027	1842	2386	2169
1	4	1.12	1.12	1.05	4912	4.7	2258	2052	2511	2283	3280	3.1	1660	1509	1862	1692
1	6	1.12	1.12	1.05	4521	4.3	2708	2462	3249	2954	2982	2.9	1959	1780	2374	2158
1	8	1.12	1.12	1.05	4186	4.0	3104	2822	3584	3258	2770	2.7	2237	2034	2618	2380
1	4	1.49	1.49	1.05	5181	5.0	2351	2137	2613	2375	3535	3.4	1758	1598	1967	1788
1	6	1.49	1.49	1.05	4728	4.5	2803	2548	3361	3055	3214	3.1	2077	1888	2512	2283
1	8	1.49	1.49	1.05	4327	4.1	3186	2896	3676	3341	2982	2.9	2374	2158	2770	2518
1	4	2.24	2.24	1.05	6583	6.3	2817	2561	3122	2838	5634	5.4	2505	2277	2781	2528
1	6	2.24	2.24	1.05	6163	5.9	3434	3121	4103	3730	5243	5.0	3035	2758	3633	3302
1	8	2.24	2.24	1.05	5757	5.5	3973	3612	4561	4146	4908	4.7	3513	3193	4043	3675
2	4	0.56	0.56	2.09	7163	3.4	3551	3228	3974	3612	—	—	—	—	—	—
2	6	0.56	0.56	2.09	6673	3.2	4278	3889	5167	4697	—	—	—	—	—	—
2	8	0.56	0.56	2.09	6267	3.0	4940	4491	5753	5229	—	—	—	—	—	—
2	4	0.75	0.75	2.09	8419	4.0	4016	3650	4478	4071	5531	2.6	2913	2648	3284	2985
2	6	0.75	0.75	2.09	7805	3.7	4834	4394	5817	5287	5163	2.5	3493	3175	4255	3868
2	8	0.75	0.75	2.09	7286	3.5	5568	5061	6452	5865	4908	2.3	4053	3684	4773	4338
2	4	1.12	1.12	2.09	9825	4.7	4515	4104	5022	4565	6559	3.1	3320	3018	3723	3385
2	6	1.12	1.12	2.09	9042	4.3	5416	4923	6498	5907	5965	2.9	3917	3561	4747	4315
2	8	1.12	1.12	2.09	8372	4.0	6209	5644	7168	6516	5540	2.7	4474	4067	5237	4760
2	4	1.49	1.49	2.09	10363	5.0	4701	4273	5225	4750	7069	3.4	3515	3195	3935	3577
2	6	1.49	1.49	2.09	9457	4.5	5607	5096	6722	6110	6427	3.1	4155	3776	5023	4566
2	8	1.49	1.49	2.09	8655	4.1	6372	5792	7351	6682	5965	2.9	4749	4317	5540	5036
2	4	2.24	2.24	2.09	13166	6.3	5634	5122	6245	5677	11269	5.4	5009	4553	5561	5055
2	6	2.24	2.24	2.09	12326	5.9	6868	6243	8206	7459	10486	5.0	6069	5517	7266	6604
2	8	2.24	2.24	2.09	11514	5.5	7947	7224	9122	8291	9816	4.7	7026	6387	8085	7350
3	4	0.56	0.56	3.14	10745	3.4	5326	4842	5960	5418	—	—	—	—	—	—
3	6	0.56	0.56	3.14	10009	3.2	6418	5834	7751	7046	—	—	—	—	—	—
3	8	0.56	0.56	3.14	9400	3.0	7410	6736	8629	7844	—	—	—	—	—	—
3	4	0.75	0.75	3.14	12628	4.0	6023	5475	6717	6106	8296	2.6	4369	3971	4926	4478
3	6	0.75	0.75	3.14	11708	3.7	7251	6591	8725	7931	7744	2.5	5239	4763	6383	5802
3	8	0.75	0.75	3.14	10929	3.5	8352	7592	9677	8797	7362	2.3	6080	5526	7159	6507
3	4	1.12	1.12	3.14	14737	4.7	6773	6156	7533	6848	9839	3.1	4980	4527	5585	5077
3	6	1.12	1.12	3.14	13562	4.3	8124	7385	9748	8861	8947	2.9	5876	5341	7121	6473
3	8	1.12	1.12	3.14	12557	4.0	9313	8465	10752	9774	8310	2.7	6711	6101	7855	7140
3	4	1.49	1.49	3.14	15544	5.0	7052	6410	7838	7125	10604	3.4	5273	4793	5902	5365
3	6	1.49	1.49	3.14	14185	4.5	8410	7645	10083	9166	9641	3.1	6232	5665	7535	6849
3	8	1.49	1.49	3.14	12982	4.1	9558	8688	11027	10023	8947	2.9	7123	6475	8311	7554
3	4	2.24	2.24	3.14	19749	6.3	8452	7682	9367	8515	16903	5.4	7514	6830	8342	7583
3	6	2.24	2.24	3.14	18489	5.9	10302	9364	12309	11189	15728	5.0	9104	8275	10898	9907
3	8	2.24	2.24	3.14	17272	5.5	11920	10836	13682	12437	14723	4.7	10539	9580	12128	11025

ICH11 - AMMONIA & R-22 RATINGS, SI UNITS, (Continued)

DX and RT CIRCUITING					4 FPI - 0 Pa ESP						4 FPI - 124 Pa ESP					
No. Fans	No. Rows	kW		Face Area (m ²)	Air Flow		Watts / C°				Air Flow		Watts / C°			
		60 Hz	50 Hz		L/s	m/s	DX		RT		L/s	m/s	DX		RT	
		Wet	Frosted		Wet	Frosted	Wet	Frosted	Wet	Frosted	Wet	Frosted	Wet	Frosted	Wet	Frosted
4	4	0.56	0.56	4.18	14327	3.4	7102	6456	7947	7224	—	—	—	—	—	—
4	6	0.56	0.56	4.18	13345	3.2	8557	7778	10335	9394	—	—	—	—	—	—
4	8	0.56	0.56	4.18	12534	3.0	9881	8981	11506	10459	—	—	—	—	—	—
4	4	0.75	0.75	4.18	16837	4.0	8031	7300	8956	8141	11061	2.6	5825	5295	6569	5971
4	6	0.75	0.75	4.18	15610	3.7	9668	8789	11633	10574	10325	2.5	6986	6350	8511	7736
4	8	0.75	0.75	4.18	14572	3.5	11136	10122	12903	11729	9816	2.3	8106	7368	9545	8677
4	4	1.12	1.12	4.18	19650	4.7	9030	8209	10044	9130	13119	3.1	6640	6035	7447	6769
4	6	1.12	1.12	4.18	18083	4.3	10832	9846	12997	11814	11930	2.9	7835	7122	9495	8631
4	8	1.12	1.12	4.18	16743	4.0	12417	11287	14336	13032	11080	2.7	8948	8134	10473	9520
4	4	1.49	1.49	4.18	20726	5.0	9403	8547	10450	9499	14138	3.4	7030	6391	7870	7154
4	6	1.49	1.49	4.18	18914	4.5	11213	10193	13444	12221	12855	3.1	8309	7553	10046	9132
4	8	1.49	1.49	4.18	17309	4.1	12744	11584	14702	13364	11930	2.9	9497	8633	11081	10073
4	4	2.24	2.24	4.18	26332	6.3	11269	10243	12490	11353	22538	5.4	10018	9107	11123	10111
4	6	2.24	2.24	4.18	24652	5.9	13735	12485	16411	14918	20971	5.0	12138	11034	14531	13209
4	8	2.24	2.24	4.18	23029	5.5	15894	14447	18243	16583	19631	4.7	14052	12774	16171	14699
5	4	0.56	0.56	5.23	17909	3.4	8877	8070	9934	9030	—	—	—	—	—	—
5	6	0.56	0.56	5.23	16682	3.2	10696	9723	12918	11743	—	—	—	—	—	—
5	8	0.56	0.56	5.23	15667	3.0	12351	11227	14382	13074	—	—	—	—	—	—
5	4	0.75	0.75	5.23	21047	4.0	10039	9125	11195	10177	13827	2.6	7282	6619	8211	7463
5	6	0.75	0.75	5.23	19513	3.7	12085	10986	14541	13218	12906	2.5	8732	7938	10638	9670
5	8	0.75	0.75	5.23	18215	3.5	13919	12653	16129	14661	12269	2.3	10133	9210	11932	10846
5	4	1.12	1.12	5.23	24562	4.7	11288	10261	12555	11413	16399	3.1	8300	7544	9309	8462
5	6	1.12	1.12	5.23	22604	4.3	13540	12308	16246	14768	14912	2.9	9794	8902	11868	10788
5	8	1.12	1.12	5.23	20929	4.0	15522	14109	17920	16290	13850	2.7	11186	10168	13092	11900
5	4	1.49	1.49	5.23	25907	5.0	11753	10684	13063	11874	17673	3.4	8788	7988	9837	8942
5	6	1.49	1.49	5.23	23642	4.5	14016	12741	16805	15276	16068	3.1	10386	9441	12558	11415
5	8	1.49	1.49	5.23	21637	4.1	15930	14480	18378	16705	14912	2.9	11872	10791	13851	12591
5	4	2.24	2.24	5.23	32915	6.3	14086	12804	15612	14191	28172	5.4	12523	11384	13904	12638
5	6	2.24	2.24	5.23	30815	5.9	17169	15607	20514	18648	26214	5.0	15173	13792	18164	16511
5	8	2.24	2.24	5.23	28786	5.5	19867	18059	22804	20729	24539	4.7	17565	15967	20214	18374
6	4	0.56	0.56	6.27	21490	3.4	10653	9683	11921	10836	—	—	—	—	—	—
6	6	0.56	0.56	6.27	20018	3.2	12835	11667	15502	14091	—	—	—	—	—	—
6	8	0.56	0.56	6.27	18800	3.0	14821	13472	17259	15688	—	—	—	—	—	—
6	4	0.75	0.75	6.27	25256	4.0	12047	10950	13434	12212	16592	2.6	8738	7943	9853	8956
6	6	0.75	0.75	6.27	23416	3.7	14503	13183	17450	15862	15488	2.5	10479	9525	12766	11604
6	8	0.75	0.75	6.27	21858	3.5	16703	15183	19355	17594	14723	2.3	12159	11053	14318	13015
6	4	1.12	1.12	6.27	29475	4.7	13545	12313	15066	13695	19678	3.1	9960	9053	11170	10154
6	6	1.12	1.12	6.27	27125	4.3	16248	14770	19495	17721	17894	2.9	11752	10683	14242	12946
6	8	1.12	1.12	6.27	25115	4.0	18626	16931	21504	19548	16620	2.7	13423	12201	15710	14280
6	4	1.49	1.49	6.27	31089	5.0	14104	12820	15676	14249	21207	3.4	10546	9586	11805	10730
6	6	1.49	1.49	6.27	28371	4.5	16820	15289	20166	18331	19282	3.1	12464	11329	15069	13698
6	8	1.49	1.49	6.27	25964	4.1	19115	17376	22053	20046	17894	2.9	14246	12950	16621	15109
6	4	2.24	2.24	6.27	39498	6.3	16903	15365	18735	17030	33807	5.4	15028	13660	16684	15166
6	6	2.24	2.24	6.27	36978	5.9	20603	18728	24617	22377	31457	5.0	18207	16550	21797	19813
6	8	2.24	2.24	6.27	34543	5.5	23841	21671	27365	24874	29447	4.7	21079	19160	24256	22049

ICH18 - AMMONIA & R-22 RATINGS, SI UNITS

SI Capacities of Colmac ICH Series Refrigeration Equipment, (Generated at -1°C EADB, 0.90 Sens. Heat Ratio)

DX and RT CIRCUITING				4 FPI - 0 Pa ESP						4 FPI - 124 Pa ESP						
				Watts / C°						Watts / C°						
No. Fans	No. Rows	kW		Face Area (m²)	Air Flow		DX		RT		Air Flow		DX		RT	
		60 Hz	50 Hz		L/s	m/s	Wet	Frosted	Wet	Frosted	L/s	m/s	Wet	Frosted	Wet	Frosted
1	4	0.75	0.75	1.67	5063	3.0	2584	2349	2901	2637	—	—	—	—	—	—
1	6	0.75	0.75	1.67	4879	2.9	3190	2899	3862	3511	—	—	—	—	—	—
1	8	0.75	0.75	1.67	4714	2.8	3762	3420	4391	3992	—	—	—	—	—	—
1	4	1.12	1.12	1.67	5988	3.6	2938	2670	3284	2985	4162	2.5	2223	2021	2512	2284
1	6	1.12	1.12	1.67	5649	3.4	3577	3252	4314	3922	3955	2.4	2699	2453	3294	2994
1	8	1.12	1.12	1.67	5356	3.2	4166	3787	4840	4399	3799	2.3	3155	2868	3723	3384
1	4	1.49	1.49	1.67	7074	4.2	3335	3031	3715	3377	5290	3.2	2672	2429	2997	2724
1	6	1.49	1.49	1.67	6649	4.0	4060	3691	4879	4435	4960	3.0	3231	2937	3910	3555
1	8	1.49	1.49	1.67	6286	3.8	4726	4296	5465	4968	4695	2.8	3750	3409	4378	3980
1	4	2.24	2.24	1.67	7834	4.7	3603	3275	4008	3643	6432	3.8	3102	2820	3462	3147
1	6	2.24	2.24	1.67	7437	4.4	4427	4024	5309	4826	6036	3.6	3767	3424	4535	4123
1	8	2.24	2.24	1.67	7050	4.2	5170	4699	5962	5419	5663	3.4	4354	3958	5049	4590
1	4	3.73	3.73	1.67	9726	5.8	4244	3858	4708	4279	8084	4.8	3690	3354	4102	3729
1	6	3.73	3.73	1.67	9046	5.4	5144	4676	6152	5592	7489	4.5	4450	4045	5337	4851
1	8	3.73	3.73	1.67	8461	5.1	5955	5413	6844	6221	6989	4.2	5135	4668	5923	5384
2	4	0.75	0.75	3.34	10127	3.0	5169	4698	5803	5275	—	—	—	—	—	—
2	6	0.75	0.75	3.34	9759	2.9	6379	5799	7725	7022	—	—	—	—	—	—
2	8	0.75	0.75	3.34	9429	2.8	7524	6840	8783	7984	—	—	—	—	—	—
2	4	1.12	1.12	3.34	11977	3.6	5875	5341	6568	5970	8324	2.5	4446	4041	5024	4567
2	6	1.12	1.12	3.34	11297	3.4	7155	6504	8628	7843	7909	2.4	5398	4906	6588	5988
2	8	1.12	1.12	3.34	10712	3.2	8332	7574	9680	8799	7598	2.3	6311	5737	7445	6768
2	4	1.49	1.49	3.34	14148	4.2	6669	6062	7431	6754	10580	3.2	5345	4858	5993	5448
2	6	1.49	1.49	3.34	13298	4.0	8120	7381	9758	8870	9919	3.0	6461	5874	7821	7109
2	8	1.49	1.49	3.34	12571	3.8	9453	8593	10931	9936	9391	2.8	7500	6817	8756	7959
2	4	2.24	2.24	3.34	15667	4.7	7206	6550	8015	7286	12864	3.8	6204	5639	6925	6295
2	6	2.24	2.24	3.34	14874	4.4	8853	8048	10618	9651	12071	3.6	7533	6848	9071	8245
2	8	2.24	2.24	3.34	14100	4.2	10340	9399	11924	10839	11326	3.4	8707	7915	10098	9179
2	4	3.73	3.73	3.34	19452	5.8	8488	7716	9416	8559	16167	4.8	7380	6708	8205	7458
2	6	3.73	3.73	3.34	18093	5.4	10288	9352	12305	11185	14978	4.5	8901	8091	10673	9702
2	8	3.73	3.73	3.34	16922	5.1	11910	10826	13688	12442	13978	4.2	10270	9335	11845	10767
3	4	0.75	0.75	5.02	15190	3.0	7753	7047	8704	7912	—	—	—	—	—	—
3	6	0.75	0.75	5.02	14638	2.9	9569	8698	11587	10533	—	—	—	—	—	—
3	8	0.75	0.75	5.02	14143	2.8	11286	10259	13174	11976	—	—	—	—	—	—
3	4	1.12	1.12	5.02	17965	3.6	8813	8011	9852	8955	12486	2.5	6669	6062	7537	6851
3	6	1.12	1.12	5.02	16946	3.4	10732	9755	12943	11765	11864	2.4	8097	7360	9882	8983
3	8	1.12	1.12	5.02	16068	3.2	12498	11360	14520	13198	11396	2.3	9466	8605	11168	10152
3	4	1.49	1.49	5.02	21221	4.2	10004	9093	11146	10132	15870	3.2	8017	7287	8990	8172
3	6	1.49	1.49	5.02	19947	4.0	12181	11072	14637	13305	14879	3.0	9692	8810	11731	10664
3	8	1.49	1.49	5.02	18857	3.8	14179	12889	16396	14904	14086	2.8	11250	10226	13134	11939
3	4	2.24	2.24	5.02	23501	4.7	10809	9825	12023	10929	19296	3.8	9306	8459	10387	9442
3	6	2.24	2.24	5.02	22311	4.4	13280	12071	15926	14477	18107	3.6	11300	10272	13606	12368
3	8	2.24	2.24	5.02	21151	4.2	15510	14098	17886	16258	16988	3.4	13061	11873	15148	13769
3	4	3.73	3.73	5.02	29178	5.8	12732	11574	14123	12838	24251	4.8	11069	10062	12307	11187
3	6	3.73	3.73	5.02	27139	5.4	15432	14028	18457	16777	22467	4.5	13351	12136	16010	14553
3	8	3.73	3.73	5.02	25384	5.1	17864	16239	20531	18663	20967	4.2	15404	14003	17768	16151

ICH18 - AMMONIA & R-22 RATINGS, SI UNITS (Continued)

DX and RT CIRCUITING					4 FPI - 0 Pa ESP						4 FPI - 124 Pa ESP					
No. Fans	No. Rows	kW		Face Area (m ²)	Air Flow		Watts / C°				Air Flow		Watts / C°			
		60 Hz	50 Hz		L/s	m/s	DX		RT		L/s	m/s	DX		RT	
							Wet	Frosted	Wet	Frosted			Wet	Frosted	Wet	Frosted
4	4	0.75	0.75	6.69	20254	3.0	10337	9396	11606	10549	—	—	—	—	—	—
4	6	0.75	0.75	6.69	19518	2.9	12758	11597	15450	14044	—	—	—	—	—	—
4	8	0.75	0.75	6.69	18857	2.8	15048	13679	17566	15967	—	—	—	—	—	—
4	4	1.12	1.12	6.69	23954	3.6	11751	10681	13136	11941	16649	2.5	8892	8083	10049	9135
4	6	1.12	1.12	6.69	22595	3.4	14309	13007	17257	15686	15818	2.4	10795	9813	13176	11977
4	8	1.12	1.12	6.69	21424	3.2	16663	15147	19360	17598	15195	2.3	12622	11473	14891	13535
4	4	1.49	1.49	6.69	28295	4.2	13338	12124	14861	13509	21160	3.2	10689	9716	11986	10895
4	6	1.49	1.49	6.69	26596	4.0	16241	14763	19516	17740	19839	3.0	12923	11747	15641	14218
4	8	1.49	1.49	6.69	25143	3.8	18906	17185	21862	19872	18782	2.8	15000	13635	17512	15919
4	4	2.24	2.24	6.69	31334	4.7	14412	13100	16031	14572	25728	3.8	12408	11279	13849	12589
4	6	2.24	2.24	6.69	29749	4.4	17706	16095	21235	19303	24142	3.6	15067	13696	18142	16491
4	8	2.24	2.24	6.69	28201	4.2	20679	18798	23848	21678	22651	3.4	17415	15830	20197	18359
4	4	3.73	3.73	6.69	38903	5.8	16976	15431	18831	17117	32335	4.8	14759	13416	16410	14916
4	6	3.73	3.73	6.69	36185	5.4	20576	18704	24609	22370	29956	4.5	17801	16181	21347	19404
4	8	3.73	3.73	6.69	33845	5.1	23819	21652	27375	24884	27955	4.2	20539	18670	23691	21535
5	4	0.75	0.75	8.36	25317	3.0	12921	11746	14507	13187	—	—	—	—	—	—
5	6	0.75	0.75	8.36	24397	2.9	15948	14496	19312	17555	—	—	—	—	—	—
5	8	0.75	0.75	8.36	23571	2.8	18811	17099	21957	19959	—	—	—	—	—	—
5	4	1.12	1.12	8.36	29942	3.6	14688	13352	16420	14926	20811	2.5	11115	10103	12561	11418
5	6	1.12	1.12	8.36	28243	3.4	17886	16259	21571	19608	19773	2.4	13494	12266	16470	14971
5	8	1.12	1.12	8.36	26780	3.2	20829	18934	24199	21997	18994	2.3	15777	14341	18613	16919
5	4	1.49	1.49	8.36	35369	4.2	16673	15155	18577	16886	26450	3.2	13362	12146	14983	13619
5	6	1.49	1.49	8.36	33245	4.0	20301	18454	24395	22175	24798	3.0	16154	14684	19552	17773
5	8	1.49	1.49	8.36	31429	3.8	23632	21482	27327	24840	23477	2.8	18750	17044	21890	19898
5	4	2.24	2.24	8.36	39168	4.7	18015	16375	20038	18215	32160	3.8	15510	14098	17312	15736
5	6	2.24	2.24	8.36	37186	4.4	22133	20119	26544	24128	30178	3.6	18833	17119	22677	20614
5	8	2.24	2.24	8.36	35251	4.2	25849	23497	29810	27097	28314	3.4	21769	19788	25246	22949
5	4	3.73	3.73	8.36	48629	5.8	21220	19289	23539	21397	40418	4.8	18449	16770	20512	18645
5	6	3.73	3.73	8.36	45232	5.4	25721	23380	30762	27962	37445	4.5	22252	20227	26683	24255
5	8	3.73	3.73	8.36	42306	5.1	29774	27065	34219	31105	34944	4.2	25674	23338	29613	26919

ICH20 - AMMONIA & R-22 RATINGS, SI UNITS

SI Capacities of Colmac ICH Series Refrigeration Equipment, (Generated at -1°C EADB, 0.90 Sens. Heat Ratio)

DX and RT CIRCUITING					4 FPI - 0 Pa ESP						4 FPI - 124 Pa ESP					
					Watts / C°						Watts / C°					
No. Fans	No. Rows	kW		Face Area (m²)	Air Flow		DX		RT		Air Flow		DX		RT	
		60 Hz	50 Hz		L/s	m/s	Wet	Frosted	Wet	Frosted	L/s	m/s	Wet	Frosted	Wet	Frosted
1	4	1.12	1.12	1.88	6130	3.3	3075	2795	3446	3132	—	—	—	—	—	—
1	6	1.12	1.12	1.88	5842	3.1	3768	3425	4555	4140	—	—	—	—	—	—
1	8	1.12	1.12	1.88	5583	3.0	4410	4009	5137	4670	—	—	—	—	—	—
1	4	1.49	1.49	1.88	7234	3.8	3489	3172	3894	3540	5455	2.9	2812	2557	3162	2874
1	6	1.49	1.49	1.88	6861	3.6	4272	3883	5143	4675	5163	2.7	3418	3107	4148	3771
1	8	1.49	1.49	1.88	6536	3.5	4998	4543	5792	5265	4927	2.6	3988	3625	4670	4245
1	4	2.24	2.24	1.88	7956	4.2	3751	3409	4179	3799	6574	3.5	3244	2948	3628	3298
1	6	2.24	2.24	1.88	7640	4.1	4643	4220	5577	5070	6267	3.3	3981	3619	4803	4366
1	8	2.24	2.24	1.88	7310	3.9	5457	4961	6305	5731	5937	3.2	4631	4210	5384	4894
1	4	3.73	3.73	1.88	9905	5.3	4428	4025	4918	4470	8320	4.4	3880	3527	4320	3927
1	6	3.73	3.73	1.88	9348	5.0	5423	4929	6493	5902	7767	4.1	4703	4275	5647	5133
1	8	3.73	3.73	1.88	8829	4.7	6321	5746	7274	6612	7314	3.9	5460	4963	6308	5734
2	4	1.12	1.12	3.76	12260	3.3	6150	5591	6891	6264	—	—	—	—	—	—
2	6	1.12	1.12	3.76	11684	3.1	7536	6851	9109	8280	—	—	—	—	—	—
2	8	1.12	1.12	3.76	11165	3.0	8820	8017	10275	9340	—	—	—	—	—	—
2	4	1.49	1.49	3.76	14468	3.8	6978	6343	7789	7080	10910	2.9	5625	5113	6323	5748
2	6	1.49	1.49	3.76	13723	3.6	8544	7767	10286	9350	10325	2.7	6837	6215	8296	7541
2	8	1.49	1.49	3.76	13072	3.5	9996	9086	11584	10530	9853	2.6	7976	7250	9340	8490
2	4	2.24	2.24	3.76	15912	4.2	7501	6819	8358	7597	13147	3.5	6487	5897	7256	6596
2	6	2.24	2.24	3.76	15280	4.1	9286	8441	11154	10139	12534	3.3	7962	7237	9605	8731
2	8	2.24	2.24	3.76	14619	3.9	10914	9921	12610	11463	11873	3.2	9263	8420	10767	9787
2	4	3.73	3.73	3.76	19810	5.3	8857	8051	9836	8941	16639	4.4	7760	7054	8640	7854
2	6	3.73	3.73	3.76	18697	5.0	10846	9859	12985	11804	15535	4.1	9405	8549	11294	10266
2	8	3.73	3.73	3.76	17658	4.7	12642	11491	14548	13224	14629	3.9	10920	9926	12616	11468
3	4	1.12	1.12	5.64	18390	3.3	9225	8386	10337	9396	—	—	—	—	—	—
3	6	1.12	1.12	5.64	17526	3.1	11305	10276	13664	12421	—	—	—	—	—	—
3	8	1.12	1.12	5.64	16748	3.0	13230	12026	15412	14010	—	—	—	—	—	—
3	4	1.49	1.49	5.64	21703	3.8	10467	9515	11683	10620	16365	2.9	8437	7670	9485	8622
3	6	1.49	1.49	5.64	20584	3.6	12816	11650	15428	14024	15488	2.7	10255	9322	12444	11312
3	8	1.49	1.49	5.64	19607	3.5	14994	13629	17376	15794	14780	2.6	11964	10875	14010	12735
3	4	2.24	2.24	5.64	23869	4.2	11252	10228	12537	11396	19721	3.5	9731	8845	10884	9894
3	6	2.24	2.24	5.64	22920	4.1	13929	12661	16731	15209	18800	3.3	11943	10856	14408	13097
3	8	2.24	2.24	5.64	21929	3.9	16371	14882	18915	17194	17810	3.2	13894	12630	16151	14681
3	4	3.73	3.73	5.64	29716	5.3	13285	12076	14754	13411	24959	4.4	11640	10581	12960	11780
3	6	3.73	3.73	5.64	28045	5.0	16268	14788	19478	17706	23302	4.1	14108	12824	16941	15400
3	8	3.73	3.73	5.64	26488	4.7	18963	17237	21822	19836	21943	3.9	16380	14889	18924	17202
4	4	1.12	1.12	7.52	24520	3.3	12300	11181	13782	12528	—	—	—	—	—	—
4	6	1.12	1.12	7.52	23368	3.1	15073	13701	18219	16561	—	—	—	—	—	—
4	8	1.12	1.12	7.52	22330	3.0	17640	16035	20550	18680	—	—	—	—	—	—
4	4	1.49	1.49	7.52	28937	3.8	13956	12686	15578	14160	21821	2.9	11250	10226	12647	11496
4	6	1.49	1.49	7.52	27446	3.6	17088	15533	20571	18699	20650	2.7	13674	12430	16592	15082
4	8	1.49	1.49	7.52	26143	3.5	19992	18172	23167	21059	19707	2.6	15951	14500	18680	16980
4	4	2.24	2.24	7.52	31825	4.2	15003	13638	16716	15195	26294	3.5	12974	11794	14512	13191
4	6	2.24	2.24	7.52	30560	4.1	18572	16882	22308	20278	25067	3.3	15924	14475	19211	17463
4	8	2.24	2.24	7.52	29239	3.9	21828	19842	25220	22925	23746	3.2	18526	16840	21534	19575
4	4	3.73	3.73	7.52	39621	5.3	17714	16102	19672	17882	33278	4.4	15520	14108	17279	15707
4	6	3.73	3.73	7.52	37393	5.0	21691	19717	25971	23608	31070	4.1	18811	17099	22588	20533
4	8	3.73	3.73	7.52	35317	4.7	25284	22983	29096	26448	29258	3.9	21839	19852	25233	22936
5	4	1.12	1.12	9.41	30650	3.3	15376	13976	17228	15660	—	—	—	—	—	—
5	6	1.12	1.12	9.41	29211	3.1	18841	17127	22774	20701	—	—	—	—	—	—
5	8	1.12	1.12	9.41	27913	3.0	22050	20043	25687	23349	—	—	—	—	—	—
5	4	1.49	1.49	9.41	36171	3.8	17445	15858	19472	17700	27276	2.9	14062	12783	15808	14370
5	6	1.49	1.49	9.41	34307	3.6	21360	19417	25714	23374	25813	2.7	17092	15537	20740	18853
5	8	1.49	1.49	9.41	32679	3.5	24990	22716	28959	26324	24633	2.6	19939	18125	23350	21225
5	4	2.24	2.24	9.41	39781	4.2	18754	17047	20895	18994	32868	3.5	16218	14742	18140	16489
5	6	2.24	2.24	9.41	38200	4.1	23215	21102	27885	25348	31334	3.3	19905	18093	24014	21828
5	8	2.24	2.24	9.41	36549	3.9	27286	24803	31525	28657	29683	3.2	23157	21050	26918	24468
5	4	3.73	3.73	9.41	49526	5.3	22142	20127	24590	22352	41598	4.4	19400	17635	21599	19634
5	6	3.73	3.73	9.41	46742	5.0	27114	24647	32464	29509	38837	4.1	23513	21374	28235	25666
5	8	3.73	3.73	9.41	44146	4.7	31605	28729	36370	33060	36572	3.9	27299	24815	31541	28671

ICH22 - AMMONIA & R-22 RATINGS, SI UNITS

SI Capacities of Colmac ICH Series Refrigeration Equipment, (Generated at -1°C EADB, 0.90 Sens. Heat Ratio)

DX and RT CIRCUITING					4 FPI - 0 Pa ESP						4 FPI - 124 Pa ESP					
					Watts / C°						Watts / C°					
No. Fans	No. Rows	kW		Face Area (m ²)	Air Flow		DX		RT		Air Flow		DX		RT	
		60 Hz	50 Hz		L/s	m/s	Wet	Frosted	Wet	Frosted	L/s	m/s	Wet	Frosted	Wet	Frosted
1	4	1.49	1.49	2.09	9136	4.4	4273	3884	4758	4325	6239	3.0	3195	2904	3588	3262
1	6	1.49	1.49	2.09	8428	4.0	5130	4663	6163	5602	5795	2.8	3829	3481	4645	4222
1	8	1.49	1.49	2.09	7810	3.7	5880	5345	6801	6182	5460	2.6	4422	4019	5179	4707
1	4	2.24	2.24	2.09	10236	4.9	4657	4234	5177	4706	7782	3.7	3782	3438	4225	3840
1	6	2.24	2.24	2.09	9514	4.6	5632	5120	6752	6138	7196	3.4	4538	4125	5471	4973
1	8	2.24	2.24	2.09	8853	4.2	6485	5895	7478	6798	6654	3.2	5182	4710	6021	5474
1	4	3.73	3.73	2.09	11623	5.6	5128	4661	5691	5173	9768	4.7	4495	4086	5001	4546
1	6	3.73	3.73	2.09	10896	5.2	6250	5681	7479	6798	9098	4.4	5442	4947	6529	5935
1	8	3.73	3.73	2.09	10259	4.9	7270	6609	8360	7599	8546	4.1	6309	5735	7281	6619
2	4	1.49	1.49	4.18	18272	4.4	8546	7768	9516	8650	12477	3.0	6390	5808	7177	6524
2	6	1.49	1.49	4.18	16856	4.0	10261	9327	12327	11205	11590	2.8	7658	6961	9289	8444
2	8	1.49	1.49	4.18	15620	3.7	11760	10690	13601	12364	10920	2.6	8843	8039	10357	9415
2	4	2.24	2.24	4.18	20471	4.9	9315	8467	10355	9412	15563	3.7	7564	6876	8449	7680
2	6	2.24	2.24	4.18	19027	4.6	11265	10240	13505	12276	14393	3.4	9077	8251	10942	9946
2	8	2.24	2.24	4.18	17706	4.2	12970	11790	14956	13595	13308	3.2	10364	9421	12043	10947
2	4	3.73	3.73	4.18	23246	5.6	10256	9322	11382	10346	19537	4.7	8991	8173	10001	9091
2	6	3.73	3.73	4.18	21792	5.2	12501	11363	14957	13596	18196	4.4	10884	9894	13058	11870
2	8	3.73	3.73	4.18	20518	4.9	14541	13218	16720	15199	17092	4.1	12619	11471	14562	13237
3	4	1.49	1.49	6.27	27408	4.4	12819	11652	14274	12975	18716	3.0	9584	8712	10765	9785
3	6	1.49	1.49	6.27	25284	4.0	15391	13990	18490	16807	17385	2.8	11487	10442	13934	12666
3	8	1.49	1.49	6.27	23430	3.7	17641	16035	20402	18545	16380	2.6	13265	12058	15536	14122
3	4	2.24	2.24	6.27	30707	4.9	13972	12701	15532	14119	23345	3.7	11347	10314	12674	11520
3	6	2.24	2.24	6.27	28541	4.6	16897	15359	20257	18414	21589	3.4	13615	12376	16412	14919
3	8	2.24	2.24	6.27	26559	4.2	19456	17685	22434	20393	19961	3.2	15545	14131	18064	16421
3	4	3.73	3.73	6.27	34869	5.6	15383	13983	17073	15519	29305	4.7	13486	12259	15002	13637
3	6	3.73	3.73	6.27	32689	5.2	18751	17044	22436	20394	27295	4.4	16327	14841	19587	17805
3	8	3.73	3.73	6.27	30777	4.9	21811	19827	25080	22798	25638	4.1	18928	17206	21843	19856
4	4	1.49	1.49	8.36	36544	4.4	17092	15536	19033	17301	24954	3.0	12779	11616	14353	13047
4	6	1.49	1.49	8.36	33713	4.0	20521	18654	24653	22410	23180	2.8	15316	13922	18578	16888
4	8	1.49	1.49	8.36	31240	3.7	23521	21380	27203	24727	21840	2.6	17687	16077	20714	18829
4	4	2.24	2.24	8.36	40942	4.9	18630	16934	20709	18825	31127	3.7	15129	13752	16898	15360
4	6	2.24	2.24	8.36	38054	4.6	22530	20479	27009	24552	28786	3.4	18154	16502	21883	19892
4	8	2.24	2.24	8.36	35411	4.2	25941	23580	29913	27191	26615	3.2	20727	18841	24086	21894
4	4	3.73	3.73	8.36	46492	5.6	20511	18645	22764	20692	39073	4.7	17982	16345	20003	18182
4	6	3.73	3.73	8.36	43585	5.2	25001	22726	29915	27193	36393	4.4	21769	19788	26116	23740
4	8	3.73	3.73	8.36	41036	4.9	29082	26436	33441	30397	34184	4.1	25238	22941	29124	26474
5	4	1.49	1.49	10.45	45680	4.4	21364	19420	23791	21626	31193	3.0	15974	14520	17942	16309
5	6	1.49	1.49	10.45	42141	4.0	25651	23317	30816	28012	28975	2.8	19145	17403	23223	21110
5	8	1.49	1.49	10.45	39050	3.7	29401	26726	34003	30909	27299	2.6	22108	20096	25893	23537
5	4	2.24	2.24	10.45	51178	4.9	23287	21168	25887	23531	38908	3.7	18911	17190	21123	19200
5	6	2.24	2.24	10.45	47568	4.6	28162	25599	33762	30689	35982	3.4	22692	20627	27354	24865
5	8	2.24	2.24	10.45	44264	4.2	32426	29475	37391	33988	33269	3.2	25909	23551	30107	27368
5	4	3.73	3.73	10.45	58114	5.6	25639	23306	28455	25865	48842	4.7	22477	20432	25003	22728
5	6	3.73	3.73	10.45	54481	5.2	31251	28407	37394	33991	45491	4.4	27211	24735	32645	29675
5	8	3.73	3.73	10.45	51296	4.9	36352	33044	41801	37997	42731	4.1	31547	28676	36406	33093

ICH28 - AMMONIA & R-22 RATINGS, SI UNITS

SI Capacities of Colmac ICH Series Refrigeration Equipment, (Generated at -1°C EADB, 0.90 Sens. Heat Ratio)

DX and RT CIRCUITING					4 FPI - 0 Pa ESP						4 FPI - 124 Pa ESP						
					Air Flow		Watts / C°				Air Flow		Watts / C°				
No. Fans	No. Rows	60 Hz	50 Hz	Face Area (m²)			L/s	m/s	DX				RT		L/s	m/s	DX
								Wet	Frosted	Wet	Frosted			Wet	Frosted	Wet	Frosted
1	4	2.24	2.24	2.61	10740	4.1	5098	4634	5683	5166	8239	3.2	4165	3786	4671	4246	
1	6	2.24	2.24	2.61	10141	3.9	6227	5660	7486	6805	7782	3.0	5065	4604	6129	5571	
1	8	2.24	2.24	2.61	9631	3.7	7273	6611	8414	7648	7409	2.8	5906	5368	6892	6265	
1	4	3.73	3.73	2.61	12033	4.6	5557	5052	6183	5621	10198	3.9	4901	4455	5469	4971	
1	6	3.73	3.73	2.61	11510	4.4	6866	6241	8235	7486	9683	3.7	6008	5461	7230	6572	
1	8	3.73	3.73	2.61	11000	4.2	8069	7335	9305	8459	9221	3.5	7028	6388	8141	7400	
1	4	5.60	5.60	2.61	13539	5.2	6077	5524	6750	6135	11996	4.6	5544	5040	6169	5608	
1	6	5.60	5.60	2.61	12982	5.0	7531	6846	9017	8196	11491	4.4	6857	6233	8225	7477	
1	8	5.60	5.60	2.61	12449	4.8	8882	8074	10218	9288	11019	4.2	8080	7344	9317	8470	
2	4	2.24	2.24	5.23	21481	4.1	10196	9268	11366	10332	16479	3.2	8331	7573	9342	8492	
2	6	2.24	2.24	5.23	20282	3.9	12453	11320	14972	13609	15563	3.0	10129	9207	12258	11143	
2	8	2.24	2.24	5.23	19263	3.7	14546	13222	16828	15297	14818	2.8	11811	10737	13784	12530	
2	4	3.73	3.73	5.23	24067	4.6	11115	10103	12367	11241	20396	3.9	9802	8910	10938	9942	
2	6	3.73	3.73	5.23	23019	4.4	13731	12482	16470	14972	19367	3.7	12015	10922	14459	13143	
2	8	3.73	3.73	5.23	22000	4.2	16138	14669	18611	16917	18442	3.5	14056	12777	16281	14800	
2	4	5.60	5.60	5.23	27078	5.2	12153	11047	13499	12271	23991	4.6	11088	10079	12338	11215	
2	6	5.60	5.60	5.23	25964	5.0	15062	13691	18033	16392	22982	4.4	13714	12466	16450	14953	
2	8	5.60	5.60	5.23	24897	4.8	17764	16147	20437	18577	22038	4.2	16159	14689	18635	16939	
3	4	2.24	2.24	7.84	32221	4.1	15294	13902	17049	15498	24718	3.2	12496	11359	14013	12738	
3	6	2.24	2.24	7.84	30423	3.9	18680	16980	22457	20414	23345	3.0	15194	13811	18387	16714	
3	8	2.24	2.24	7.84	28894	3.7	21818	19833	25243	22945	22226	2.8	17717	16105	20676	18795	
3	4	3.73	3.73	7.84	36100	4.6	16672	15155	18550	16862	30593	3.9	14703	13365	16406	14913	
3	6	3.73	3.73	7.84	34529	4.4	20597	18723	24706	22457	29050	3.7	18023	16383	21689	19715	
3	8	3.73	3.73	7.84	33000	4.2	24206	22004	27916	25376	27663	3.5	21084	19165	24422	22199	
3	4	5.60	5.60	7.84	40616	5.2	18230	16571	20249	18406	35987	4.6	16633	15119	18507	16823	
3	6	5.60	5.60	7.84	38946	5.0	22593	20537	27050	24589	34472	4.4	20571	18699	24675	22430	
3	8	5.60	5.60	7.84	37346	4.8	26646	24221	30655	27865	33057	4.2	24239	22033	27952	25409	
4	4	2.24	2.24	10.45	42962	4.1	20392	18536	22732	20664	32957	3.2	16661	15145	18684	16984	
4	6	2.24	2.24	10.45	40565	3.9	24906	22640	29943	27218	31127	3.0	20258	18415	24516	22285	
4	8	2.24	2.24	10.45	38526	3.7	29091	26444	33657	30594	29635	2.8	23623	21473	27568	25060	
4	4	3.73	3.73	10.45	48134	4.6	22230	20207	24733	22483	40791	3.9	19604	17820	21875	19884	
4	6	3.73	3.73	10.45	46039	4.4	27463	24964	32941	29943	38734	3.7	24030	21843	28918	26287	
4	8	3.73	3.73	10.45	44000	4.2	32275	29338	37222	33834	36884	3.5	28111	25553	32562	29599	
4	4	5.60	5.60	10.45	54155	5.2	24306	22094	26999	24542	47983	4.6	22177	20159	24676	22430	
4	6	5.60	5.60	10.45	51928	5.0	30123	27382	36067	32785	45963	4.4	27428	24932	32900	29906	
4	8	5.60	5.60	10.45	49795	4.8	35528	32295	40873	37154	44075	4.2	32318	29377	37270	33878	

SPECIFICATIONS, SI UNITS

ICH-11 Flooded & Recirc. Bottom Feed

Model	Tot. Surface Area, m ²	Hot Gas Connection Size, IPS	Water Defrost L/s at 34 kPa	Internal Volume, Liters		Dry Weight, kg Standard Cabinet		Dry Weight, kg 45° Down Cabinet		Dry Weight, kg Penthouse Cabinet	
				R-22	NH3	R-22	NH3	R-22	NH3	R-22	NH3
314	46.64	1 1/4	0.88	27.05	23.79	296	276	321	301	374	354
316	69.95	1 1/4	0.88	40.57	35.68	340	309	365	334	418	387
318	93.27	1 1/4	0.88	54.10	47.53	384	342	409	367	462	420
324	93.27	1 1/4	1.77	54.10	47.58	516	476	560	521	647	607
326	139.91	1 1/4	1.77	81.15	71.37	593	536	638	580	724	667
328	186.54	1 1/4	1.77	108.20	95.06	671	595	715	640	802	726
334	139.91	1 1/4	2.65	81.15	71.37	735	677	799	740	919	861
336	209.86	1 1/4	2.65	121.72	107.05	847	763	910	826	1031	947
338	279.81	2	2.65	162.30	142.59	958	848	1022	911	1143	1032
344	186.54	1 1/4	3.53	108.20	95.16	955	878	1038	961	1193	1115
346	279.81	2	3.53	162.30	142.73	1101	989	1184	1072	1338	1227
348	373.09	2	3.53	216.40	190.12	1246	1101	1329	1184	1483	1338
354	233.18	2	4.42	135.25	118.94	1175	1078	1277	1180	1466	1369
356	349.77	2	4.42	202.87	178.42	1354	1216	1457	1318	1645	1506
358	466.36	2	4.42	270.50	237.65	1534	1354	1636	1456	1824	1644
364	279.81	2	5.30	162.30	142.73	1395	1279	1516	1400	1738	1622
366	419.72	2	5.30	243.45	214.10	1608	1443	1729	1564	1951	1786
368	559.63	2	5.30	324.60	285.18	1821	1607	1942	1728	2165	1950
414	60.48	1 1/4	0.88	27.05	23.79	298	279	324	304	376	357
416	90.72	1 1/4	0.88	40.57	35.68	344	313	369	338	422	391
418	120.96	1 1/4	0.88	54.10	47.53	389	347	414	372	467	425
424	120.96	1 1/4	1.77	54.10	47.58	521	482	566	526	652	613
426	181.43	1 1/4	1.77	81.15	71.37	601	543	646	588	733	675
428	241.91	1 1/4	1.77	108.20	95.06	682	606	726	650	813	737
434	181.43	1 1/4	2.65	81.15	71.37	743	685	807	748	928	869
436	272.15	1 1/4	2.65	121.72	107.05	859	774	923	838	1043	958
438	362.87	2	2.65	162.30	142.59	975	864	1038	928	1159	1048
444	241.91	1 1/4	3.53	108.20	95.16	966	888	1049	971	1203	1125
446	362.87	2	3.53	162.30	142.73	1117	1005	1200	1088	1354	1242
448	483.82	2	3.53	216.40	190.12	1267	1123	1350	1206	1505	1360
454	302.39	2	4.42	135.25	118.94	1188	1091	1290	1193	1479	1382
456	453.58	2	4.42	202.87	178.42	1374	1236	1476	1338	1665	1526
458	604.78	2	4.42	270.50	237.65	1560	1381	1662	1483	1851	1671
464	362.87	2	5.30	162.30	142.73	1411	1295	1532	1416	1755	1638
466	544.30	2	5.30	243.45	214.10	1632	1467	1753	1588	1975	1810
468	725.73	2	5.30	324.60	285.18	1853	1639	1975	1760	2197	1983

ICH-11 Direct Expansion & Recirc. Top Feed

Model	Tot. Surface Area, m ²	Hot Gas Connection Size, IPS	Water Defrost L/s at 34 kPa	Internal Volume, Liters		Dry Weight, kg Standard Cabinet		Dry Weight, kg 45° Down Cabinet		Dry Weight, kg Penthouse Cabinet	
				R-22	NH3	R-22	NH3	R-22	NH3	R-22	NH3
414	41.26	1 1/4	0.41	20.96	17.73	281	276	307	301	359	354
416	61.88	1 1/4	0.63	31.44	26.60	318	308	343	334	396	386
418	82.51	1 1/4	0.82	41.91	35.47	353	342	379	367	431	420
424	82.51	1 1/4	0.82	41.91	35.47	492	478	537	522	623	609
426	123.77	1 1/4	1.26	62.87	53.20	557	538	602	582	689	669
428	165.02	1 1/4	1.64	83.83	70.94	623	597	667	642	754	728
434	123.77	1 1/4	1.23	62.87	53.20	703	680	766	743	887	864
436	185.65	1 1/4	1.89	94.31	79.81	797	767	861	830	982	951
438	247.54	2	2.46	125.74	106.41	892	854	955	917	1076	1038
444	165.02	1 1/4	1.64	83.83	70.94	914	882	997	965	1151	1119
446	247.54	2	2.52	125.74	106.41	1037	996	1120	1079	1275	1233
448	330.05	2	3.28	167.66	141.88	1161	1110	1244	1193	1398	1347
454	206.28	2	2.05	104.79	88.67	1124	1084	1226	1186	1414	1374
456	309.42	2	3.16	157.18	133.01	1277	1225	1379	1327	1568	1515
458	412.56	2	4.10	209.57	177.35	1430	1366	1532	1468	1721	1656
464	247.53	2	2.46	125.74	106.41	1335	1286	1456	1408	1678	1630
466	371.30	2	3.79	188.62	159.61	1517	1454	1638	1575	1861	1798
468	495.07	2	4.92	251.49	212.82	1700	1168	1821	1290	2043	1512

ICH-18 Flooded & Recirc. Bottom Feed

Model	Tot. Surface Area, m ²	Hot Gas Connection Size, IPS	Water Defrost L/s at 34 kPa	Internal Volume, Liters		Dry Weight, kg Standard Cabinet		Dry Weight, kg 45° Down Cabinet		Dry Weight, kg Penthouse Cabinet	
				R-22	NH3	R-22	NH3	R-22	NH3	R-22	NH3
314	99.96	1 1/4	1.01	43.28	38.02	377	345	414	382	481	450
316	149.94	1 1/4	1.45	64.92	57.04	442	394	479	431	546	498
318	199.92	1 1/4	1.96	86.56	76.05	507	443	544	480	611	547
324	199.92	1 1/4	2.02	86.56	76.05	669	606	733	670	910	847
326	299.88	1 1/4	2.90	129.84	114.07	786	694	850	759	1027	936
328	399.84	1 1/4	3.91	173.12	152.10	903	783	968	847	1144	1024
334	299.88	1 1/4	3.03	129.84	114.07	960	866	1052	958	1302	1208
336	449.82	2	4.35	194.76	171.11	1129	995	1221	1086	1471	1336
338	599.76	2	5.87	259.68	228.14	1299	1124	1391	1215	1641	1465
344	399.84	2	4.04	173.12	152.10	1251	1127	1371	1246	1574	1449
346	599.76	2	5.81	259.68	228.14	1473	1295	1593	1415	1796	1618
348	799.68	2	7.82	346.24	304.19	1695	1464	1814	1583	2017	1786
354	499.80	2	5.05	216.40	190.12	1543	1388	1690	1534	1938	1783
356	749.70	2	7.26	324.60	285.18	1817	1596	1964	1742	2212	1991
358	999.60	2	9.78	432.80	380.24	2091	1804	2237	1951	2486	2200
414	130.87	1 1/4	1.01	43.28	38.02	381	350	418	387	485	454
416	196.30	1 1/4	1.45	64.92	57.04	449	401	486	438	553	505
418	261.74	1 1/4	1.96	86.56	76.05	516	451	553	489	620	556
424	261.74	1 1/4	2.02	86.56	76.05	677	614	742	679	919	855
426	392.60	1 1/4	2.90	129.84	114.07	799	707	863	772	1040	948
428	523.47	1 1/4	3.91	173.12	152.10	920	800	985	865	1162	1041
434	392.60	1 1/4	3.03	129.84	114.07	973	879	1065	971	1315	1221
436	588.90	2	4.35	194.76	171.11	1149	1014	1241	1106	1491	1356
438	785.21	2	5.87	259.68	228.14	1325	1149	1416	1241	1666	1491
444	523.47	2	4.04	173.12	152.10	1269	1144	1388	1263	1591	1466
446	785.21	2	5.81	259.68	228.14	1499	1321	1618	1441	1822	1644
448	1046.95	2	7.82	346.24	304.19	1729	1498	1848	1618	2052	1821
454	654.34	2	5.05	216.40	190.12	1565	1409	1711	1555	1960	1804
456	981.51	2	7.26	324.60	285.18	1849	1628	1996	1774	2244	2023
458	1308.68	2	9.78	432.80	380.24	2134	1847	2280	1994	2529	2242

ICH-18 Direct Expansion & Recirc. Top Feed

Model	Tot. Surface Area, m ²	Hot Gas Connection Size, IPS	Water Defrost L/s at 34 kPa	Internal Volume, Liters		Dry Weight, kg Standard Cabinet		Dry Weight, kg 45° Down Cabinet		Dry Weight, kg Penthouse Cabinet	
				R-22	NH3	R-22	NH3	R-22	NH3	R-22	NH3
414	66.01	1 1/4	0.50	33.53	28.38	355	346	392	383	459	450
416	99.02	1 1/4	0.76	50.30	42.56	409	394	446	431	513	499
418	132.03	1 1/4	1.01	67.06	56.75	462	443	499	480	567	547
424	132.03	1 1/4	1.01	67.06	56.75	632	609	697	673	874	850
426	198.04	1 1/4	1.51	100.59	85.13	730	699	795	763	972	940
428	264.06	1 1/4	2.02	134.13	113.50	829	788	893	852	1070	1029
434	198.04	1 1/4	1.51	100.59	85.13	909	872	1001	963	1251	1213
436	297.07	2	2.27	150.89	127.69	1052	1002	1144	1094	1394	1344
438	396.09	2	3.03	201.19	170.25	1195	1134	1287	1225	1537	1475
444	264.06	2	2.02	134.13	113.50	1640	1134	1759	1254	1962	1457
446	396.09	2	3.03	201.19	170.25	1374	1307	1493	1426	1696	1629
448	528.12	2	4.04	268.25	227.00	1562	1479	1681	1598	1885	1801
454	330.07	2	2.52	167.66	141.88	1463	1398	1610	1544	1858	1793
456	495.11	2	3.79	251.49	212.82	1696	1611	1843	1757	2091	2006
458	660.15	2	5.05	335.32	283.76	1929	1824	2075	1971	2324	2219

ICH-20 Flooded & Recirc. Bottom Feed

Model	Tot. Surface Area, m ²	Hot Gas Connection Size, IPS	Water Defrost L/s at 34 kPa	Internal Volume, Liters		Dry Weight, kg Standard Cabinet		Dry Weight, kg 45° Down Cabinet		Dry Weight, kg Penthouse Cabinet	
				R-22	NH3	R-22	NH3	R-22	NH3	R-22	NH3
314	112.46	1 1/4	1.01	48.69	42.78	397	362	436	400	508	473
316	168.68	1 1/4	1.45	73.03	64.17	470	415	508	454	581	527
318	224.91	1 1/4	1.96	97.38	85.55	543	469	581	508	654	581
324	224.91	1 1/4	2.02	97.38	85.55	704	633	771	700	893	822
326	337.37	1 1/4	2.90	146.07	128.33	835	732	902	799	1023	920
328	449.82	2	3.91	194.76	171.11	965	830	1032	897	1154	1019
334	337.37	1 1/4	3.03	146.07	128.33	1011	904	1106	1000	1276	1170
336	506.05	2	4.35	219.10	192.50	1199	1048	1295	1143	1465	1314
338	674.73	2	5.87	292.14	256.66	1388	1191	1484	1286	1654	1457
344	449.82	2	4.04	194.76	171.11	1317	1176	1440	1300	1660	1520
346	674.73	2	5.81	292.14	256.66	1564	1364	1687	1487	1907	1707
348	899.64	2	7.82	389.52	342.22	1811	1551	1935	1674	2155	1894
354	562.28	2	5.05	243.45	213.89	1623	1448	1775	1599	2044	1869
356	843.42	2	7.26	365.17	320.83	1929	1680	2080	1831	2350	2101
358	1124.55	2	9.78	486.90	427.77	2234	1911	2385	2063	2655	2332
414	147.23	1 1/4	1.01	48.69	42.78	402	367	441	405	513	478
416	220.84	1 1/4	1.45	73.03	64.17	477	423	516	461	588	534
418	294.45	1 1/4	1.96	97.38	85.55	552	479	591	518	663	591
424	294.45	1 1/4	2.02	97.38	85.55	714	643	781	710	902	831
426	441.68	1 1/4	2.90	146.07	128.33	849	746	916	813	1038	935
428	588.91	2	3.91	194.76	171.11	985	850	1052	917	1173	1038
434	441.68	2	3.03	146.07	128.33	1025	919	1120	1014	1291	1185
436	662.52	2	4.35	219.10	192.50	1221	1069	1316	1164	1487	1335
438	883.36	2	5.87	292.14	256.66	1417	1220	1512	1315	1683	1486
444	588.91	2	4.04	194.76	171.11	1336	1196	1460	1319	1680	1539
446	883.36	2	5.81	292.14	256.66	1593	1393	1716	1516	1936	1736
448	1177.81	2	7.82	389.52	342.22	1850	1589	1973	1713	2193	1933
454	736.13	2	5.05	243.45	213.89	1647	1472	1799	1623	2068	1893
456	1104.20	2	7.26	365.17	320.83	1965	1716	2116	1867	2386	2137
458	1472.27	2	9.78	486.90	427.77	2282	1960	2434	2111	2703	2380

ICH-20 Direct Expansion & Recirc. Top Feed

Model	Tot. Surface Area, m ²	Hot Gas Connection Size, IPS	Water Defrost L/s at 34 kPa	Internal Volume, Liters		Dry Weight, kg Standard Cabinet		Dry Weight, kg 45° Down Cabinet		Dry Weight, kg Penthouse Cabinet	
				R-22	NH3	R-22	NH3	R-22	NH3	R-22	NH3
414	74.27	1 1/4	0.50	37.72	31.92	373	362	411	401	484	473
416	111.40	1 1/4	0.76	56.58	47.88	432	416	471	455	543	527
418	148.53	1 1/4	1.01	75.45	63.85	492	470	530	508	603	581
424	148.53	1 1/4	1.01	75.45	63.85	663	636	730	704	852	825
426	222.80	1 1/4	1.51	113.17	95.77	772	736	840	803	961	925
428	297.07	2	2.02	150.89	127.69	882	836	949	903	1070	1025
434	222.80	1 1/4	1.51	113.17	95.77	953	910	1048	1006	1219	1176
436	334.20	2	2.27	169.75	143.65	1113	1056	1208	1152	1378	1322
438	445.60	2	3.03	226.34	191.54	1272	1202	1367	1297	1538	1468
444	297.07	2	2.02	150.89	127.69	1243	1185	1367	1308	1587	1528
446	445.60	2	3.03	226.34	191.54	1452	1376	1576	1500	1796	1720
448	594.13	2	4.04	301.78	255.38	1662	1568	1785	1691	2005	1911
454	371.33	2	2.52	188.62	159.61	1533	1459	1685	1611	1954	1880
456	557.00	2	3.79	282.92	239.42	1793	1696	1944	1848	2214	2117
458	742.67	2	5.05	377.23	319.23	2052	1934	2203	2085	2473	2355

ICH-22 Flooded & Recirc. Bottom Feed

Model	Tot. Surface Area, m ²	Hot Gas Connection Size, IPS	Water Defrost L/s at 34 kPa	Internal Volume, Liters		Dry Weight, kg Standard Cabinet		Dry Weight, kg 45° Down Cabinet		Dry Weight, kg Penthouse Cabinet	
				R-22	NH3	R-22	NH3	R-22	NH3	R-22	NH3
314	124.95	1 1/4	1.01	54.10	47.53	445	405	493	453	574	534
316	187.43	1 1/4	1.45	81.15	71.30	525	466	573	514	654	595
318	249.90	1 1/4	1.96	108.20	95.06	605	524	653	572	734	653
324	249.90	1 1/4	2.02	108.20	95.06	794	715	876	797	1012	933
326	374.85	2	2.90	162.30	142.59	938	823	1020	905	1156	1041
328	499.80	2	3.91	216.40	190.12	1082	932	1164	1014	1300	1149
334	374.85	2	3.03	162.30	142.59	1143	1025	1258	1140	1449	1331
336	562.28	2	4.35	243.45	213.89	1351	1182	1466	1298	1657	1489
338	749.70	2	5.87	324.60	285.18	1559	1339	1675	1455	1866	1646
344	499.80	2	4.04	216.40	190.12	1491	1334	1641	1484	1887	1730
346	749.70	2	5.81	324.60	285.18	1764	1541	1913	1691	2159	1936
348	999.60	2	7.82	432.80	380.24	2036	1747	2186	1897	2432	2142
354	624.75	2	5.05	270.50	237.65	1840	1644	2023	1828	2324	2129
356	937.13	2	7.26	405.75	356.48	2176	1899	2360	2082	2661	2384
358	1249.51	2	9.78	541.00	475.30	2513	2155	2697	2338	2998	2639
414	163.59	1 1/4	1.01	54.10	47.53	450	411	499	459	579	539
416	245.38	1 1/4	1.45	81.15	71.30	533	473	581	521	662	601
418	327.17	1 1/4	1.96	108.20	95.06	616	535	664	583	745	664
424	327.17	1 1/4	2.02	108.20	95.06	805	725	887	807	1022	943
426	490.76	2	2.90	162.30	142.59	954	839	1036	921	1172	1057
428	654.34	2	3.91	216.40	190.12	1104	953	1186	1035	1321	1171
434	490.76	2	3.03	162.30	142.59	1158	1041	1274	1156	1465	1347
436	736.13	2	4.35	243.45	213.89	1375	1206	1491	1322	1681	1513
438	981.51	2	5.87	324.60	285.18	1591	1372	1707	1487	1898	1678
444	654.34	2	4.04	216.40	190.12	1512	1356	1662	1505	1908	1751
446	981.51	2	5.81	324.60	285.18	1796	1573	1945	1722	2191	1968
448	1308.68	2	7.82	432.80	380.24	2079	1790	2229	1940	2475	2185
454	817.93	2	5.05	270.50	237.65	1867	1671	2050	1854	2351	2156
456	1226.89	2	7.26	405.75	356.48	2217	1940	2400	2123	2701	2424
458	1635.85	2	9.78	541.00	475.30	2567	2208	2750	2391	3051	2693

ICH-22 Direct Expansion & Recirc. Top Feed

Model	Tot. Surface Area, m ²	Hot Gas Connection Size, IPS	Water Defrost L/s at 34 kPa	Internal Volume, Liters		Dry Weight, kg Standard Cabinet		Dry Weight, kg 45° Down Cabinet		Dry Weight, kg Penthouse Cabinet	
				R-22	NH3	R-22	NH3	R-22	NH3	R-22	NH3
414	82.52	1 1/4	0.50	41.91	35.47	418	406	466	454	547	534
416	123.78	1 1/4	0.76	62.87	53.20	484	465	532	513	612	594
418	165.04	1 1/4	1.01	83.83	70.94	549	524	597	572	678	653
424	165.04	1 1/4	1.01	83.83	70.94	748	719	831	801	966	936
426	247.56	2	1.51	125.74	106.41	869	828	951	910	1087	1046
428	330.07	2	2.02	167.66	141.88	989	938	1071	1020	1207	1156
434	247.56	2	1.51	125.74	106.41	1079	1031	1194	1147	1385	1338
436	371.33	2	2.27	188.62	159.61	1254	1192	1370	1307	1561	1498
438	495.11	2	3.03	251.49	212.82	1430	1352	1545	1467	1736	1658
444	330.07	2	2.02	167.66	141.88	1409	1344	1559	1494	1805	1740
446	495.11	2	3.03	251.49	212.82	1640	1555	1789	1705	2035	1950
448	660.15	2	4.04	335.32	283.76	1870	1765	2020	1915	2266	2161
454	412.59	2	2.52	209.57	177.35	1740	1657	1923	1840	2224	2141
456	618.89	2	3.79	314.36	266.02	2025	1918	2209	2102	2510	2403
458	825.18	2	5.05	419.15	354.70	2311	2180	2494	2363	2795	2664

ICH-28 Flooded & Recirc. Bottom Feed

Model	Tot. Surface Area, m ²	Hot Gas Connection Size, IPS	Water Defrost L/s at 34 kPa	Internal Volume, Liters		Dry Weight, kg Standard Cabinet		Dry Weight, kg 45° Down Cabinet		Dry Weight, kg Penthouse Cabinet	
				R-22	NH3	R-22	NH3	R-22	NH3	R-22	NH3
314	156.19	1 1/4	1.23	54.10	47.53	561	513	624	576	739	691
316	234.28	1 1/4	1.83	81.15	71.30	660	587	723	650	838	765
318	312.38	1 1/4	2.46	108.20	95.06	758	661	821	724	937	840
324	312.38	1 1/4	2.46	108.20	95.06	997	900	1106	1008	1302	1205
326	468.56	2	3.66	162.30	142.59	1181	1039	1289	1148	1486	1344
328	624.75	2	4.92	216.40	190.12	1361	1176	1469	1284	1666	1481
334	468.56	2	3.69	162.30	142.59	1434	1287	1588	1440	1866	1718
336	702.85	2	5.49	243.45	213.89	1702	1492	1855	1645	2133	1923
338	937.13	2	7.38	324.60	285.18	1963	1690	2116	1843	2395	2121
344	624.75	2	4.92	216.40	190.12	1871	1674	2070	1873	2429	2233
346	937.13	2	7.32	324.60	285.18	2223	1944	2422	2143	2781	2503
348	1249.51	2	9.84	432.80	380.24	2566	2204	2764	2403	3124	2763
414	204.48	1 1/4	1.23	54.10	47.53	567	519	631	582	746	698
416	306.72	1 1/4	1.83	81.15	71.30	670	597	733	660	848	775
418	408.96	1 1/4	2.46	108.20	95.06	772	675	835	738	950	853
424	408.96	1 1/4	2.46	108.20	95.06	1011	913	1119	1022	1315	1218
426	613.44	2	3.66	162.30	142.59	1201	1060	1309	1168	1505	1364
428	817.93	2	4.92	216.40	190.12	1388	1202	1496	1311	1692	1507
434	613.44	2	3.69	162.30	142.59	1454	1307	1608	1461	1886	1739
436	920.17	2	5.49	243.45	213.89	1732	1522	1885	1675	2163	1953
438	1226.89	2	7.38	324.60	285.18	2004	1730	2157	1884	2435	2162
444	817.93	2	4.92	216.40	190.12	1898	1701	2097	1900	2456	2259
446	1226.89	2	7.32	324.60	285.18	2263	1985	2462	2183	2822	2543
448	1635.85	2	9.84	432.80	380.24	2619	2258	2818	2457	3177	2817

ICH-28 Direct Expansion & Recirc. Top Feed

Model	Tot. Surface Area, m ²	Hot Gas Connection Size, IPS	Water Defrost L/s at 34 kPa	Internal Volume, Liters		Dry Weight, kg Standard Cabinet		Dry Weight, kg 45° Down Cabinet		Dry Weight, kg Penthouse Cabinet	
				R-22	NH3	R-22	NH3	R-22	NH3	R-22	NH3
414	103.15	1 1/4	0.63	41.91	35.47	529	514	592	577	707	692
416	154.72	1 1/4	0.95	62.87	53.20	611	588	674	651	789	767
418	206.30	1 1/4	1.23	83.83	70.94	693	663	756	726	871	841
424	206.30	1 1/4	1.26	83.83	70.94	943	905	1051	1013	1247	1210
426	309.44	2	1.89	125.74	106.41	1097	1046	1206	1155	1402	1351
428	412.59	2	2.46	167.66	141.88	1249	1185	1357	1294	1554	1490
434	309.44	2	1.89	125.74	106.41	1356	1296	1510	1449	1788	1727
436	464.17	2	2.84	188.62	159.61	1584	1505	1737	1658	2015	1936
438	618.89	2	3.69	251.49	212.82	1805	1707	1958	1861	2236	2139
444	412.59	2	2.52	167.66	141.88	1770	1687	1969	1886	2328	2245
446	618.89	2	3.79	251.49	212.82	2070	1963	2269	2161	2629	2521
448	825.18	2	4.92	335.32	283.76	2361	2229	2560	2428	2920	2788

Electrical Specifications

	HP	FLA @ 60 Hz	FLA @ 50 Hz
		208-230/460	220/380/440V
ICH-11	3/4	3.3 - 3 / 1.5	2.8 / 1.6 / 1.4
	1	3.6 - 3.4 / 1.7	3.4 / 2 / 1.7
	1 1/2	5.5 - 5.2 / 2.6	4.4 / 2.5 / 2/2
	2	6.7 - 6.6 / 3.3	6.0 / 3.5 / 3.0
	3	8.5 - 8.2 / 4.1	7.8 / 4.4 / 3.9
ICH-18 to ICH-28	1	3.6 - 3.4 / 1.7	3.4 / 2 / 1.7
	1 1/2	5.5 - 5.2 / 2.6	4.4 / 2.5 / 2.2
	2	6.7 - 6.6 / 3.3	6.0 / 3.5 / 3.0
	3	10.2 - 9.6 / 4.8	7.8 / 4.4 / 3.9
	5	17 - 15.8 / 7.9	14.0 / 8.1 / 7.0
	7 1/2	22.4 / 11.2	22 / 12.7 / 11

Refrigerant Connection Sizes (IPS, inches)

Ammonia			Liquid Line Sizes			Suction Sizes - flooded and Liquid Overfeed						Suction Sizes - DX		
Capacity		Lb/min, 4:1	4:1			Saturated Suction Temp. °F (°C)						SST, °F / °C		
Tons	(kW)	(Note 1&2)	Recirc.	Flooded	DX	30° (-1°)	20° (-7°)	0° (-18°)	-20° (-29°)	-30° (-34°)	-40° (-40°)	30° (-1°)	20° (-7°)	0° (-18°)
1	(3.5)	1.76	1/2	1	Note 3	1 1/4	1 1/4	1 1/4	1 1/4	1 1/2	1 1/2	1	1	1
2	(7)	3.52	1/2	1	"	1 1/4	1 1/4	1 1/4	1 1/2	2	2	1	1	1
5	(17.6)	8.8	3/4	1 1/2	"	1 1/2	1 1/2	1 1/2	2	2 1/2	2 1/2	1	1 1/4	1 1/4
7	(24.6)	12.32	3/4	1 1/2	"	1 1/2	1 1/2	2	2 1/2	2 1/2	3	1 1/4	1 1/4	1 1/2
10	(35.2)	17.6	3/4	2	"	2	2	2 1/2	2 1/2	3	3	1 1/4	1 1/2	2
15	(52.8)	26.4	3/4	2 1/2	"	2 1/2	2 1/2	2 1/2	3	4	4	1 1/2	2	2
20	(70.3)	35.2	1	3	"	3	3	3	4	4	5	2	2	2 1/2
25	(87.9)	44	1	3	"	3	3	3	4	5	5	2	2	2 1/2
30	(105.5)	52.8	1	3	"	3	3	4	4	5	5	2	2 1/2	3
40	(140.7)	70.4	1 1/4	4	"	4	4	4	5	5	6	2 1/2	2 1/2	3
50	(175.9)	88	1 1/4	4	"	4	4	5	5	5	6	2 1/2	3	4
60	(211)	105.6	1 1/4	4	"	4	4	5	5	6	6	3	3	4
70	(246.2)	123.2	1 1/4	4	"	4	4	5	6	6	8	3	3	4
80	(281.4)	140.8	1 1/2	4	"	4	5	5	6	6	8	3	4	4
90	(316.5)	158.4	1 1/2	4	"	4	5	5	6	6	8	3	4	4
100	(351.7)	176	1 1/2	5	"	5	5	5	6	8	8	4	4	4

Refrigerant Connection Sizes (ODS, inches)

R-22		3:1 Liquid Overfeed							Direct Expansion							
Capacity		Lb/min, 3:1	Suction Size, Type 'L' Cu @ SST (°F/°C)							Suction Size, Type 'L' Cu @ SST (°F/°C)						
Tons	(kW)	(Note 1&2)	Liquid	30° (-1°)	20° (-7°)	0° (-18°)	-20° (-29°)	-30° (-34°)	-40° (-40°)	Liquid	30° (-1°)	20° (-7°)	0° (-18°)	-20° (-29°)	-30° (-34°)	-40° (-40°)
1	(3.5)	9.4	1/2	1 1/8	1 3/8	1 3/8	1 5/8	1 5/8	2 1/8	1/2	7/8	1 1/8	1 1/8	1 3/8	1 3/8	1 5/8
2	(7)	18.8	5/8	1 3/8	1 5/8	1 5/8	2 1/8	2 5/8	2 5/8	1/2	1 1/8	1 3/8	1 3/8	1 5/8	2 1/8	2 1/8
5	(17.6)	47.1	7/8	2 1/8	2 1/8	2 5/8	3 1/8	3 1/8	3 1/8	5/8	1 5/8	1 5/8	2 1/8	2 5/8	2 5/8	2 5/8
7	(24.6)	65.9	1 1/8	2 5/8	2 5/8	2 5/8	3 1/8	3 5/8	3 5/8	7/8	2 1/8	2 1/8	2 1/8	2 5/8	3 1/8	3 1/8
10	(35.2)	94.2	1 1/8	2 5/8	2 5/8	3 1/8	3 5/8	3 5/8	4 1/8	7/8	2 1/8	2 1/8	2 5/8	3 1/8	3 1/8	3 5/8
15	(52.8)	141.3	1 3/8	3 1/8	3 1/8	3 5/8	4 1/8	4 1/8	**5	7/8	2 5/8	2 5/8	3 1/8	3 5/8	3 5/8	4 1/8
20	(70.3)	188.4	1 3/8	3 1/8	3 1/8	3 5/8	4 1/8	**5	**6	1 1/8	2 5/8	2 5/8	3 1/8	3 5/8	4 1/8	**5
25	(87.9)	235.5	1 5/8	3 5/8	4 1/8	4 1/8	**5	**6	**6	1 1/8	3 1/8	3 1/8	3 5/8	4 1/8	**5	**5
30	(105.5)	282.6	1 5/8	3 5/8	4 1/8	4 1/8	**6	**6	**8	1 1/8	3 1/8	3 1/8	3 5/8	**5	**5	**6
40	(140.7)	376.8	2 1/8	4 1/8	4 1/8	**5	**6	**8	**8	1 1/8	3 5/8	3 5/8	4 1/8	**5	**6	**6
50	(175.9)	471	2 1/8	4 1/8	**5	**6	**8	**8	**10	1 3/8	3 5/8	4 1/8	**5	**6	**6	**8
60	(211)	565.2	2 1/8	**5	**5	**6	**8	**8	**10	1 3/8	4 1/8	4 1/8	**5	**6	**6	**8
70	(246.2)	659.4	2 1/8	**5	**6	**6	**8	**10	*10	1 3/8	4 1/8	**5	**5	**6	**8	**8
80	(281.4)	753.6	2 1/8	**5	**6	**8	**10	**10	**10	1 5/8	4 1/8	**5	**6	**8	**8	**8

- Notes: 1. Lb/min x .00756 = kg/s
 2. At 95°F (35°C) Liquid Temp. -30°F (-34°C) Suction Temp.
 3. DX Liquid size to be determined at Factory.
 4. Suction Sizes based on .5°F / 100ft (0.9°C / 100m)
 5. Tons Refrigeration x 3.517 = kW.
 6. **Use steel, SCH 40, IPS inches.

Defrost and Drainpan Connections

Water Defrost Supply

(Quantity) IPS, inches

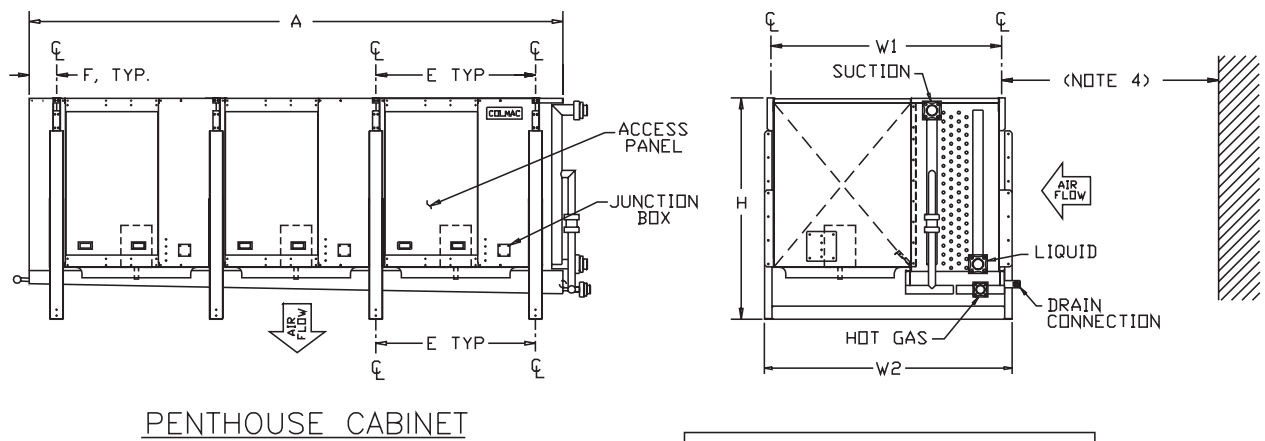
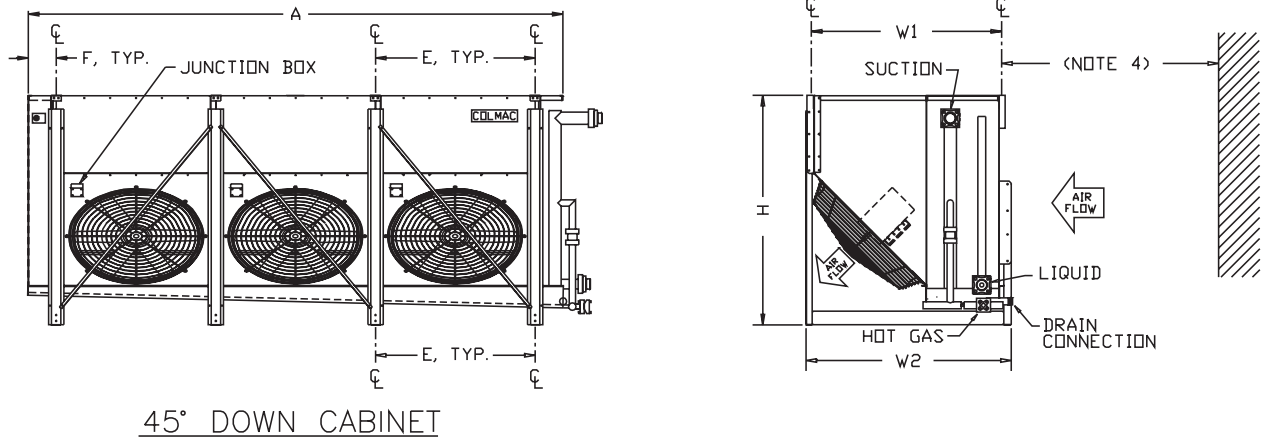
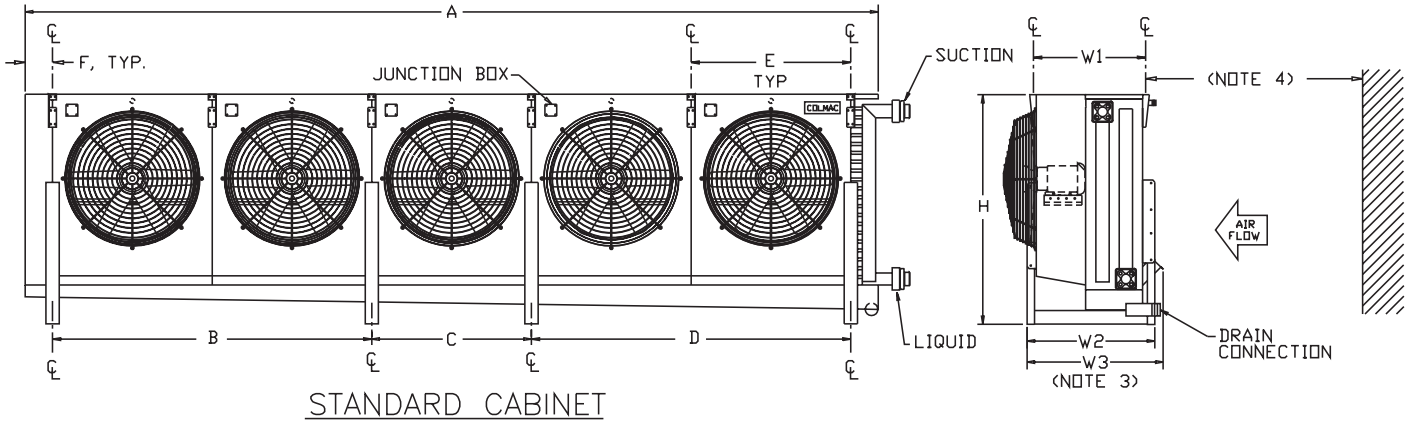
Fans	Water Defrost
1	(1) 1 1/4
2	(2) 1 1/4
3	(3) 1 1/4
4	(4) 1 1/4
5	(5) 1 1/4
6	(6) 1 1/4

Drainpan Connections

(Quantity) IPS, inches

Air & HG Defrost		Water Defrost	
ICH11	ICH18	ICH11	ICH18, 20, 22, 28
(1) 1 1/2	(1) 1 1/2	(1) 3"	(1) 3"
(1) 1 1/2	(1) 1 1/2	(1) 3"	(1) 3"
(1) 1 1/2	(1) 2"	(1) 3"	(1) 4"
(1) 2"	(1) 2"	(1) 4"	(1) 4"
(1) 2"	(1) 2"	(1) 4"	(1) 4"
(1) 2"	(1) 2"	(1) 4"	(1) 4"

DIMENSIONS



- NOTES:
1. LEFT HAND CONNECTION SHOWN. (RIGHT HAND OPPOSITE)
 2. MOUNTING HOLES IN SHIPPING LEGS ON SAME \varnothing AS HANGERS.
 3. DIM W3, WATER DEFROST ONLY.
 4. MIN. DISTANCE EQUAL TO FAN DIA.

Standard Cabinet Dimensions, inches (mm)

ICH-11

Fans	A		B		C		D	
1	63 1/2	(1613)	45	(1143)	-	-	-	-
2	108 1/2	(2756)	90	(2286)	-	-	-	-
3	153 1/2	(3899)	90	(2286)	45	(1143)	-	-
4	198 1/2	(5042)	90	(2286)	45	(1143)	45	(1143)
5	243 1/2	(6185)	90	(2286)	45	(1143)	90	(2286)
6	288 1/2	(7328)	90	(2286)	90	(2286)	90	(2286)

E		F		H	
45	(1143)	9 1/4	(235)	53 1/2	(1359)

FL / RB Circuiting						
Rows	W1		W2		W3	
4	35 1/8	(892)	40 3/8	(1026)	42 5/8	(1083)
6	40 1/4	(1022)	44 1/4	(1124)	46 1/2	(1181)
8	45 1/2	(1156)	49 1/2	(1257)	51 3/4	(1314)

DX / RT Circuiting						
Rows	W1		W2		W3	
4	35 1/8	(892)	40 3/8	(1026)	42 5/8	(1083)
6	35 1/8	(892)	40 3/8	(1026)	42 5/8	(1083)
8	35 1/8	(892)	40 3/8	(1026)	42 5/8	(1083)

ICH-18

Fans	A		B		C		D	
1	72 1/2	(1842)	54	(1372)	-	-	-	-
2	126 1/2	(3213)	108	(2743)	-	-	-	-
3	180 1/2	(4585)	108	(2743)	54	(1372)	-	-
4	234 1/2	(5956)	108	(2743)	54	(1372)	54	(1372)
5	288 1/2	(7328)	108	(2743)	54	(1372)	108	(2743)

E		F		H	
54	(1372)	9 1/4	(235)	65 1/2	(1664)

FL / RB Circuiting						
Rows	W1		W2		W3	
4	37 7/8	(962)	41 7/8	(1064)	44 1/8	(1121)
6	43 1/8	(1095)	47 1/8	(1197)	49 3/8	(1254)
8	48 1/4	(1226)	52 1/4	(1327)	54 1/2	(1384)

DX / RT Circuiting						
Rows	W1		W2		W3	
4	37 7/8	(962)	41 7/8	(1064)	44 1/8	(1121)
6	37 7/8	(962)	41 7/8	(1064)	44 1/8	(1121)
8	37 7/8	(962)	41 7/8	(1064)	44 1/8	(1121)

ICH-20

Fans	A		B		C		D	
1	72 1/2	(1842)	54	(1372)	-	-	-	-
2	126 1/2	(3213)	108	(2743)	-	-	-	-
3	180 1/2	(4585)	108	(2743)	54	(1372)	-	-
4	234 1/2	(5956)	108	(2743)	54	(1372)	54	(1372)
5	288 1/2	(7328)	108	(2743)	54	(1372)	108	(2743)

E		F		H	
54	(1372)	9 1/4	(235)	71 1/2	(1816)

FL / RB Circuiting						
Rows	W1		W2		W3	
4	37 7/8	(962)	41 7/8	(1064)	44 1/8	(1121)
6	43 1/8	(1095)	47 1/8	(1197)	49 3/8	(1254)
8	48 1/4	(1226)	52 1/4	(1327)	54 1/2	(1384)

DX / RT Circuiting						
Rows	W1		W2		W3	
4	37 7/8	(962)	41 7/8	(1064)	44 1/8	(1121)
6	37 7/8	(962)	41 7/8	(1064)	44 1/8	(1121)
8	37 7/8	(962)	41 7/8	(1064)	44 1/8	(1121)

ICH-22

Fans	A		B		C		D	
1	72 1/2	(1842)	54	(1372)	-	-	-	-
2	126 1/2	(3213)	108	(2743)	-	-	-	-
3	180 1/2	(4585)	108	(2743)	54	(1372)	-	-
4	234 1/2	(5956)	108	(2743)	54	(1372)	54	(1372)
5	288 1/2	(7328)	108	(2743)	54	(1372)	108	(2743)

E		F		H	
54	(1372)	9 1/4	(235)	77 1/2	(1969)

FL / RB Circuiting						
Rows	W1		W2		W3	
4	37 7/8	(962)	41 7/8	(1064)	44 1/8	(1121)
6	43 1/8	(1095)	47 1/8	(1197)	49 3/8	(1254)
8	48 1/4	(1226)	52 1/4	(1327)	54 1/2	(1384)

DX / RT Circuiting						
Rows	W1		W2		W3	
4	37 7/8	(962)	41 7/8	(1064)	44 1/8	(1121)
6	37 7/8	(962)	41 7/8	(1064)	44 1/8	(1121)
8	37 7/8	(962)	41 7/8	(1064)	44 1/8	(1121)

ICH-28

Fans	A		B		C		D	
1	86	(2184)	67 1/2	(1715)	-	-	-	-
2	140	(3556)	135	(3429)	-	-	-	-
3	194	(4928)	135	(3429)	67 1/2	(1715)	-	-
4	248	(6299)	135	(3429)	67 1/2	(1715)	67 1/2	(1715)

E		F		H	
67 1/2	(1715)	9 1/4	(235)	77 1/2	(1969)

FL / RB Circuiting						
Rows	W1		W2		W3	
4	37 7/8	(962)	41 7/8	(1064)	44 1/8	(1121)
6	43 1/8	(1095)	47 1/8	(1197)	49 3/8	(1254)
8	48 1/4	(1226)	52 1/4	(1327)	54 1/2	(1384)

DX / RT Circuiting						
Rows	W1		W2		W3	
4	37 7/8	(962)	41 7/8	(1064)	44 1/8	(1121)
6	37 7/8	(962)	41 7/8	(1064)	44 1/8	(1121)
8	37 7/8	(962)	41 7/8	(1064)	44 1/8	(1121)

45° Down Cabinet Dimensions, inches (mm)

ICH-11

Fans	A	
1	63	(1600)
2	108	(2743)
3	153	(3886)
4	198	(5029)
5	243	(6172)
6	288	(7315)

E	
45	(1143)

F	
9 1/2	(241)

H	
53 1/2	(1359)

Rows	FL / RB Circuiting		
	W1	W2	W3
4	48 7/8 (1241)	52 7/8 (1343)	55 1/8 (1400)
6	54 (1372)	58 (1473)	60 1/4 (1530)
8	59 1/4 (1505)	63 1/4 (1607)	66 (1664)

Rows	DX / RT Circuiting		
	W1	W2	W3
4	48 7/8 (1241)	52 7/8 (1343)	55 1/8 (1400)
6	48 7/8 (1241)	52 7/8 (1343)	55 1/8 (1400)
8	48 7/8 (1241)	52 7/8 (1343)	55 1/8 (1400)

ICH-18

Fans	A	
1	72 1/2	(1842)
2	126 1/2	(3213)
3	180 1/2	(4585)
4	234 1/2	(5956)
5	288 1/2	(7328)

E	
54	(1372)

F	
9 1/2	(241)

H	
65 1/2	(1664)

Rows	FL / RB Circuiting		
	W1	W2	W3
4	61 5/8 (1565)	65 5/8 (1667)	67 7/8 (1724)
6	66 3/4 (1695)	70 3/4 (1797)	73 (1854)
8	72.0 (1829)	76 (1930)	78 1/4 (1988)

Rows	DX / RT Circuiting		
	W1	W2	W3
4	61 5/8 (1565)	65 5/8 (1667)	67 7/8 (1724)
6	61 5/8 (1565)	65 5/8 (1667)	67 7/8 (1724)
8	61 5/8 (1565)	65 5/8 (1667)	67 7/8 (1724)

ICH-20

Fans	A	
1	72 1/2	(1842)
2	126 1/2	(3213)
3	180 1/2	(4585)
4	234 1/2	(5956)
5	288 1/2	(7328)

E	
54	(1372)

F	
9 1/2	(241)

H	
71 1/2	(1816)

Rows	FL / RB Circuiting		
	W1	W2	W3
4	61 5/8 (1565)	65 5/8 (1667)	67 7/8 (1724)
6	66 3/4 (1695)	70 3/4 (1797)	73 (1854)
8	72 (1829)	76 (1930)	78 1/4 (1988)

Rows	DX / RT Circuiting		
	W1	W2	W3
4	61 5/8 (1565)	65 5/8 (1667)	67 7/8 (1724)
6	61 5/8 (1565)	65 5/8 (1667)	67 7/8 (1724)
8	61 5/8 (1565)	65 5/8 (1667)	67 7/8 (1724)

ICH-22

Fans	A	
1	72 1/2	(1842)
2	126 1/2	(3213)
3	180 1/2	(4585)
4	234 1/2	(5956)
5	288 1/2	(7328)

E	
54	(1372)

F	
9 1/2	(241)

H	
77 1/2	(1969)

Rows	FL / RB Circuiting		
	W1	W2	W3
4	64 3/8 (1635)	68 3/8 (1737)	70 5/8 (1794)
6	69 1/2 (1765)	74 (1867)	75 3/4 (1924)
8	74 3/4 (1899)	78 3/4 (2000)	81 (2057)

Rows	DX / RT Circuiting		
	W1	W2	W3
4	64 3/8 (1635)	68 3/8 (1737)	70 5/8 (1794)
6	64 3/8 (1635)	68 3/8 (1737)	70 5/8 (1794)
8	64 3/8 (1635)	68 3/8 (1737)	70 5/8 (1794)

ICH-28

Fans	A	
1	86	(2184)
2	140	(3556)
3	194	(4928)
4	248	(6299)

E	
67 1/2	(1715)

F	
9 1/2	(241)

H	
77 1/2	(1969)

Rows	FL / RB Circuiting		
	W1	W2	W3
4	64 3/8 (1635)	68 3/8 (1737)	70 5/8 (1794)
6	69 1/2 (1765)	74 (1867)	75 3/4 (1924)
8	74 3/4 (1899)	78 3/4 (2000)	81 (2057)

Rows	DX / RT Circuiting		
	W1	W2	W3
4	64 3/8 (1635)	68 3/8 (1737)	70 5/8 (1794)
6	64 3/8 (1635)	68 3/8 (1737)	70 5/8 (1794)
8	64 3/8 (1635)	68 3/8 (1737)	70 5/8 (1794)

Penthouse Cabinet Dimensions, inches (mm)

ICH-11

Fans	A
1	63 (1600)
2	108 (2743)
3	153 (3886)
4	198 (5029)
5	243 (6172)
6	288 (7315)

E
45 (1143)

F
9 1/2 (241)

H
56 3/4 (1441)

Rows	FL / RB Circuiting		
	W1	W2	W3
4	61 5/8 (1565)	65 5/8 (1667)	67 7/8 (1724)
6	66 3/4 (1695)	70 3/4 (1797)	73 (1854)
8	72 (1829)	76 (1930)	78 1/4 (1988)

Rows	DX / RT Circuiting		
	W1	W2	W3
4	61 5/8 (1565)	65 5/8 (1667)	67 7/8 (1724)
6	61 5/8 (1565)	65 5/8 (1667)	67 7/8 (1724)
8	61 5/8 (1565)	65 5/8 (1667)	67 7/8 (1724)

ICH-18

Fans	A
1	72 1/2 (1842)
2	126 1/2 (3213)
3	180 1/2 (4585)
4	234 1/2 (5956)
5	288 1/2 (7328)

E
54 (1372)

F
9 1/2 (241)

H
68 3/4 (1746)

Rows	FL / RB Circuiting		
	W1	W2	W3
4	67 5/8 (1718)	71 5/8 (1819)	73 7/8 (1876)
6	72 3/4 (1848)	76 3/4 (1949)	79 (2007)
8	78 (1981)	82 (2083)	84 1/4 (2140)

Rows	DX / RT Circuiting		
	W1	W2	W3
4	67 5/8 (1718)	71 5/8 (1819)	73 7/8 (1876)
6	67 5/8 (1718)	71 5/8 (1819)	73 7/8 (1876)
8	67 5/8 (1718)	71 5/8 (1819)	73 7/8 (1876)

ICH-20

Fans	A
1	72 1/2 (1842)
2	126 1/2 (3213)
3	180 1/2 (4585)
4	234 1/2 (5956)
5	288 1/2 (7328)

E
54 (1372)

F
9 1/2 (241)

H
74 3/4 (1899)

Rows	FL / RB Circuiting		
	W1	W2	W3
4	67 5/8 (1718)	71 5/8 (1819)	73 7/8 (1876)
6	72 3/4 (1848)	76 3/4 (1949)	79 (2007)
8	78 (1981)	82 (2083)	84 1/4 (2140)

Rows	DX / RT Circuiting		
	W1	W2	W3
4	67 5/8 (1718)	71 5/8 (1819)	73 7/8 (1876)
6	67 5/8 (1718)	71 5/8 (1819)	73 7/8 (1876)
8	67 5/8 (1718)	71 5/8 (1819)	73 7/8 (1876)

ICH-22

Fans	A
1	72 1/2 (1842)
2	126 1/2 (3213)
3	180 1/2 (4585)
4	234 1/2 (5956)
5	288 1/2 (7328)

E
54 (1372)

F
9 1/2 (241)

H
80 3/4 (2051)

Rows	FL / RB Circuiting		
	W1	W2	W3
4	73 5/8 (1870)	77 5/8 (1972)	79 7/8 (2029)
6	78 3/4 (2000)	82 3/4 (2102)	85 (2159)
8	84 (2134)	88 (2235)	90 1/4 (2292)

Rows	DX / RT Circuiting		
	W1	W2	W3
4	73 5/8 (1870)	77 5/8 (1972)	79 7/8 (2029)
6	73 5/8 (1870)	77 5/8 (1972)	79 7/8 (2029)
8	73 5/8 (1870)	77 5/8 (1972)	79 7/8 (2029)

ICH-28

Fans	A
1	86 (2184)
2	140 (3556)
3	194 (4928)
4	248 (6299)

E
67 1/2 (1715)

F
9 1/2 (241)

H
80 3/4 (2051)

Rows	FL / RB Circuiting		
	W1	W2	W3
4	73 5/8 (1870)	77 5/8 (1972)	79 7/8 (2029)
6	78 3/4 (2000)	82 3/4 (2102)	85 (2159)
8	84 (2134)	88 (2235)	90 1/4 (2292)

Rows	DX / RT Circuiting		
	W1	W2	W3
4	73 5/8 (1870)	77 5/8 (1972)	79 7/8 (2029)
6	73 5/8 (1870)	77 5/8 (1972)	79 7/8 (2029)
8	73 5/8 (1870)	77 5/8 (1972)	79 7/8 (2029)



Other Quality Products From Colmac Coil



Heating and Cooling Coils



Heat Pipes for Heat Recovery



Dry Coolers for Glycol or Gas Cooling



Custom Evaporators & Baudelot Coolers



Air Cooled Condensers

CE(PED) Certification, ASME Sec. VIII, Canadian Registration Number, UL508, Canadian Standards Association



CRN



CSA

Visit www.colmaccoil.com for more information and resources:

- Product Information
- Product Literature
- Sales Rep Locator
- Sales Rep e-Library
- Product Videos

North American Headquarters

Colmac Coil Manufacturing, Inc.
370 N. Lincoln St. | P.O. Box 571
Colville, WA 99114 | USA
+1.509.684.2595 | +1.800.845.6778

Midwest US Manufacturing

Colmac Coil Midwest
350 Baltimore Dr. | Paxton, IL 60957 | USA

"The Heat Transfer Experts"