

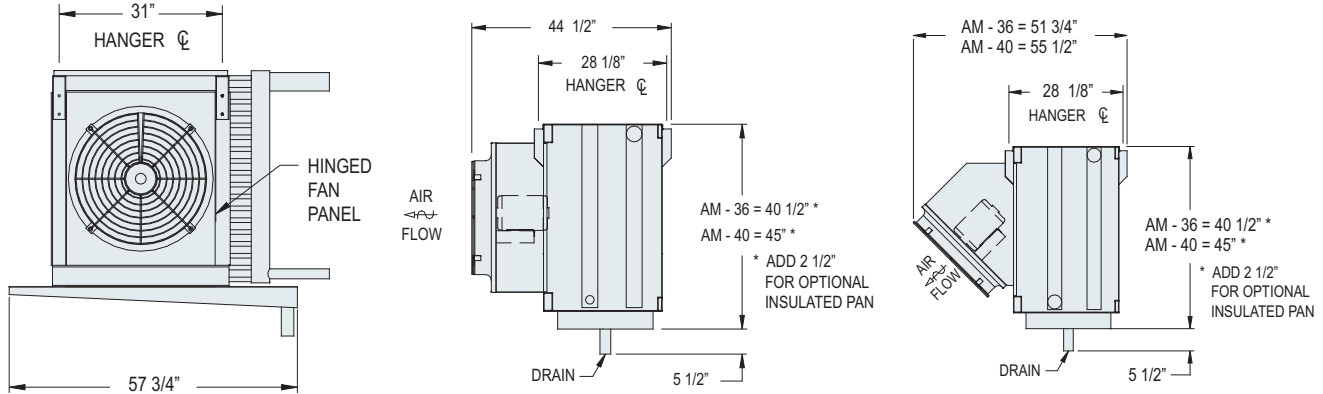
AM Engineering Data

Models AM1S-3663 to AM1S-4084



Refrigeration

Do not use for construction. Refer to factory certified dimensions. This handbook includes data current at the time of publication, which should be reconfirmed at the time of purchase.



Model Number	Capacity (BTUH/°F)		Airflow (CFM)	Average Face Velocity (FPM)	Fan Motor (HP)	Fan Speed (RPM)	Fan Dia. (in.)	Face Area (ft²)	Rows Deep	Fin Density (fpi)	Surface Area (ft²)	Coil Volume (ft³)	Estimated Shipping Weight		
	Frosted	Wet											Galv. (lbs)	Aluminum (lbs)	SST-AL (lbs)
AM1S-3663-050L	2,620	2,880	4,600	594	1/2	1140	24	7.8	6	3	516	1.8	861	467	512
AM1S-3663-100H	3,210	-	6,900	890	1	1750	24	7.8	6	3	516	1.8	872	478	522
AM1S-3683-050L	3,130	3,440	4,400	568	1/2	1140	24	7.8	8	3	688	2.2	974	503	559
AM1S-3683-100H	3,950	-	6,700	865	1	1750	24	7.8	8	3	688	2.2	985	514	569
AM1S-3664-050L	2,980	3,280	4,400	568	1/2	1140	24	7.8	6	4	668	1.8	931	482	526
AM1S-3664-100H	3,710	-	6,700	865	1	1750	24	7.8	6	4	668	1.8	942	493	536
AM1S-3684-050L	3,700	4,070	4,700	606	1/2	1140	24	7.8	8	4	890	2.2	1,065	524	578
AM1S-3684-100H	4,420	-	6,400	826	1	1750	24	7.8	8	4	890	2.2	1,076	535	588
AM1S-4063-050L	2,980	3,280	5,300	608	1/2	1140	24	8.7	6	3	580	2	934	497	550
AM1S-4063-100H	3,450	-	7,100	814	1	1750	24	8.7	6	3	580	2	945	508	560
AM1S-4083-050L	3,620	3,980	5,200	596	1/2	1140	24	8.7	8	3	774	2.4	1,062	538	603
AM1S-4064-100H	3,990	-	6,900	791	1	1750	24	8.7	6	4	751	2	1,023	525	576
AM1S-4084-100H	4,730	-	6,600	757	1	1750	24	8.7	8	4	1,001	2.4	1,174	572	634
The models below are based on 0.25" ESP/45°Down Discharge/Long Throw Adapters															
AM1S-3663-075L-4/F/L	2,680	2,950	4,800	619	3/4	1140	24	7.8	6	3	516	1.8	872	478	522
AM1S-3663-150H-4/F/L	3,090	-	6,400	826	1.5	1750	24	7.8	6	3	516	1.8	911	516	557
AM1S-3683-075L-4/F/L	3,210	3,530	4,600	594	3/4	1140	24	7.8	8	3	688	2.2	985	514	569
AM1S-3683-150H-4/F/L	3,790	-	6,200	800	1.5	1750	24	7.8	8	3	688	2.2	1,024	553	604
AM1S-3664-075L-4/F/L	3,080	3,390	4,700	606	0.75	1140	24	7.8	6	4	668	1.8	942	493	536
AM1S-3664-150H-4/F/L	3,570	-	6,200	800	1.5	1750	24	7.8	6	4	668	1.8	980	532	571
AM1S-3684-075L-4/F/L	3,600	3,960	4,500	581	0.75	1140	24	7.8	8	4	890	2.2	1,076	535	588
AM1S-3684-150H-4/F/L	4,220	-	5,900	761	1.5	1750	24	7.8	8	4	890	2.2	1,114	574	623
AM1S-4063-100L-4/F/L	3,010	3,310	5,400	619	1	1140	24	8.7	6	3	580	2	956	519	570
AM1S-4063-150H-4/F/L	3,330	-	6,600	757	1.5	1750	24	8.7	6	3	580	2	984	546	595
AM1S-4083-100L-4/F/L	3,620	3,980	5,200	596	1	1140	24	8.7	8	3	774	2.4	1,084	560	623
AM1S-4083-150H-4/F/L	4,070	-	6,400	734	1.5	1750	24	8.7	8	3	774	2.4	1,111	588	648
AM1S-4064-100L-4/F/L	3,440	3,780	5,200	596	1	1140	24	8.7	6	4	751	2	1,034	536	586
AM1S-4064-150H-4/F/L	3,840	-	6,400	734	1.5	1750	24	8.7	6	4	751	2	1,062	564	611
AM1S-4084-100L-4/F/L	4,120	4,530	5,200	596	1	1140	24	8.7	8	4	1,001	2.4	1,185	583	644
AM1S-4084-150H-4/F/L	4,570	-	6,200	711	1.5	1750	24	8.7	8	4	1,001	2.4	1,213	611	669

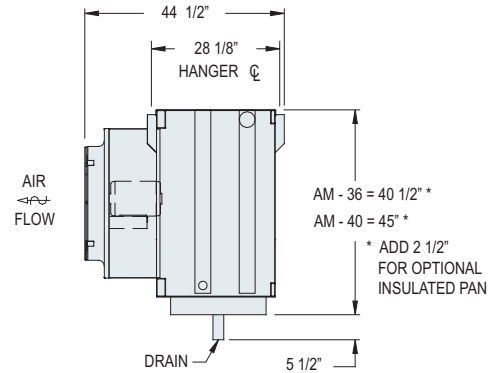
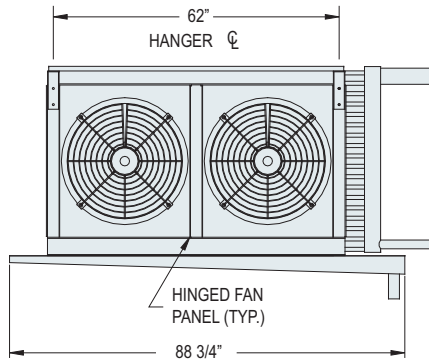
...because temperature matters™



AM Engineering Data

Models AM2S-3663 to AM2S-4084

Do not use for construction. Refer to factory certified dimensions. This handbook includes data current at the time of publication, which should be reconfirmed at the time of purchase.

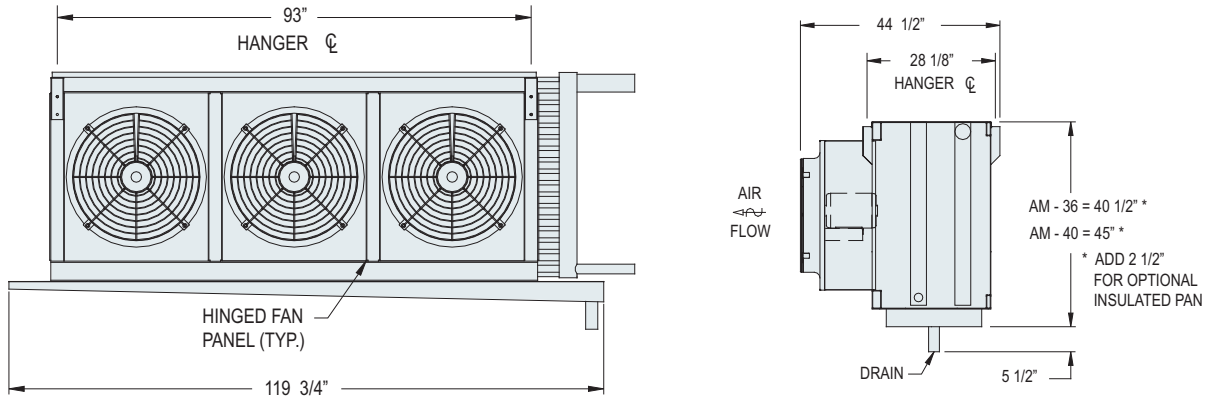


NOTE: See page H17 for 45° down-discharge side view.

Model Number	Capacity (BTUH/°F)		Airflow (CFM)	Average Face Velocity (FPM)	Fan Motor (HP)	Fan Speed (RPM)	Fan Dia. (in.)	Face Area (ft²)	Rows Deep	Fin Density (fpi)	Surface Area (ft²)	Coil Volume (ft³)	Estimated Shipping Weight		
	Frosted	Wet											Galv. (lbs)	Aluminum (lbs)	SST-AL (lbs)
AM2S-3663-050L	5,240	5,760	9,200	594	1/2	1140	24	15.5	6	3	1,032	2.6	1,496	836	881
AM2S-3663-100H	6,410	-	13,800	890	1	1750	24	15.5	6	3	1,032	2.6	1,518	858	901
AM2S-3683-050L	6,250	6,880	8,800	568	1/2	1140	24	15.5	8	3	1,376	3.3	1,709	904	968
AM2S-3683-100H	7,900	-	13,400	865	1	1750	24	15.5	8	3	1,376	3.3	1,731	926	988
AM2S-3664-050L	5,950	6,550	8,800	568	1/2	1140	24	15.5	6	4	1,335	2.6	1,630	867	909
AM2S-3664-100H	7,420	-	13,400	865	1	1750	24	15.5	6	4	1,335	2.6	1,652	889	929
AM2S-3684-050L	7,390	8,130	9,400	606	1/2	1140	24	15.5	8	4	1,780	3.3	1,883	945	1,005
AM2S-3684-100H	8,840	-	12,800	826	1	1750	24	15.5	8	4	1,780	3.3	1,905	967	1,025
AM2S-4063-050L	5,970	6,570	10,600	608	1/2	1140	24	17.4	6	3	1,161	2.9	1,620	888	943
AM2S-4063-100H	6,910	-	14,200	814	1	1750	24	17.4	6	3	1,161	2.9	1,642	910	963
AM2S-4083-050L	7,240	7,960	10,400	596	1/2	1140	24	17.4	8	3	1,548	3.7	1,858	965	1,041
AM2S-4064-100H	7,980	-	13,800	791	1	1750	24	17.4	6	4	1,502	2.9	1,791	945	995
AM2S-4084-100H	9,470	-	13,200	757	1	1750	24	17.4	8	4	2,003	3.7	2,076	1,033	1,103
The models below are based on 0.25" ESP/45°Down Discharge/Long Throw Adapters															
AM2S-3663-075L-4/F/L	5,350	5,890	9,600	619	3/4	1140	24	15.5	6	3	1,032	2.6	1,518	858	901
AM2S-3663-150H-4/F/L	6,180	-	12,800	826	1 1/2	1750	24	15.5	6	3	1,032	2.6	1,595	935	971
AM2S-3683-075L-4/F/L	6,420	7,060	9,200	594	3/4	1140	24	15.5	8	3	1,376	3.3	1,731	926	988
AM2S-3683-150H-4/F/L	7,580	-	12,400	800	1 1/2	1750	24	15.5	8	3	1,376	3.3	1,808	1,003	1,058
AM2S-3664-075L-4/F/L	6,160	6,780	9,400	606	3/4	1140	24	15.5	6	4	1,335	2.6	1,652	889	929
AM2S-3664-150H-4/F/L	7,130	-	12,400	800	1 1/2	1750	24	15.5	6	4	1,335	2.6	1,729	966	999
AM2S-3684-075L-4/F/L	7,210	7,930	9,000	581	3/4	1140	24	15.5	8	4	1,780	3.3	1,905	967	1,025
AM2S-3684-150H-4/F/L	8,440	-	11,800	761	1 1/2	1750	24	15.5	8	4	1,780	3.3	1,982	1,044	1,095
AM2S-4063-100L-4/F/L	6,020	6,620	10,800	619	1	1140	24	17.4	6	3	1,161	2.9	1,664	932	983
AM2S-4063-150H-4/F/L	6,660	-	13,200	757	1 1/2	1750	24	17.4	6	3	1,161	2.9	1,719	987	1,033
AM2S-4083-100L-4/F/L	7,240	7,960	10,400	596	1	1140	24	17.4	8	3	1,548	3.7	1,902	1,009	1,081
AM2S-4083-150H-4/F/L	8,140	-	12,800	734	1 1/2	1750	24	17.4	8	3	1,548	3.7	1,957	1,064	1,131
AM2S-4064-100L-4/F/L	6,870	7,560	10,400	596	1	1140	24	17.4	6	4	1,502	2.9	1,813	967	1,015
AM2S-4064-150H-4/F/L	7,680	-	12,800	734	1 1/2	1750	24	17.4	6	4	1,502	2.9	1,868	1,022	1,065
AM2S-4084-100L-4/F/L	8,230	9,050	10,400	596	1	1140	24	17.4	8	4	2,003	3.7	2,098	1,055	1,123
AM2S-4084-150H-4/F/L	9,140	-	12,400	711	1 1/2	1750	24	17.4	8	4	2,003	3.7	2,153	1,110	1,173

Models AM3S-3663 to AM3S-4084

Do not use for construction. Refer to factory certified dimensions. This handbook includes data current at the time of publication, which should be reconfirmed at the time of purchase.



NOTE: See page H17 for 45° down-discharge side view.

Model Number	Capacity (BTUH/°F)		Airflow (CFM)	Average Face Velocity (FPM)	Fan Motor (HP)	Fan Speed (RPM)	Fan Dia. (in.)	Face Area (ft ²)	Rows Deep	Fin Density (fpi)	Surface Area (ft ²)	Coil Volume (ft ³)	Estimated Shipping Weight		
	Frosted	Wet											Galv. (lbs)	Aluminum (lbs)	SST-AL (lbs)
AM3S-3663-050L	7,860	8,650	13,800	594	1/2	1140	24	23.3	6	3	1,547	3.4	2,132	1,205	1,249
AM3S-3663-100H	9,620	-	20,700	890	1	1750	24	23.3	6	3	1,547	3.4	2,165	1,238	1,279
AM3S-3683-050L	9,380	10,320	13,200	568	1/2	1140	24	23.3	8	3	2,063	4.3	2,443	1,305	1,376
AM3S-3683-100H	11,850	-	20,100	865	1	1750	24	23.3	8	3	2,063	4.3	2,476	1,338	1,406
AM3S-3664-050L	8,930	9,820	13,200	568	1/2	1140	24	23.3	6	4	2,003	3.4	2,329	1,252	1,291
AM3S-3664-100H	11,130	-	20,100	865	1	1750	24	23.3	6	4	2,003	3.4	2,362	1,285	1,321
AM3S-3684-050L	11,090	12,200	14,100	606	1/2	1140	24	23.3	8	4	2,670	4.3	2,701	1,367	1,432
AM3S-3684-100H	13,250	-	19,200	826	1	1750	24	23.3	8	4	2,670	4.3	2,734	1,400	1,462
AM3S-4063-050L	8,950	9,850	15,900	608	1/2	1140	24	26.2	6	3	1,741	3.8	2,305	1,280	1,336
AM3S-4063-100H	10,360	-	21,300	814	1	1750	24	26.2	6	3	1,741	3.8	2,338	1,313	1,366
AM3S-4083-050L	10,850	11,940	15,600	596	1/2	1140	24	26.2	8	3	2,322	4.9	2,655	1,392	1,478
AM3S-4064-100H	11,960	-	20,700	791	1	1750	24	26.2	6	4	2,253	3.8	2,559	1,365	1,413
AM3S-4084-100H	14,200	-	19,800	757	1	1750	24	26.2	8	4	3,004	4.9	2,978	1,495	1,572
The models below are based on 0.25" ESP/45° Down Discharge/Long Throw Adapters															
AM3S-3663-075L-4/F/L	8,030	8,830	14,400	619	3/4	1140	24	23.3	6	3	1,547	3.4	2,165	1,238	1,279
AM3S-3663-150H-4/F/L	9,270	-	19,200	826	1 1/2	1750	24	23.3	6	3	1,547	3.4	2,280	1,354	1,384
AM3S-3683-075L-4/F/L	9,630	10,590	13,800	594	3/4	1140	24	23.3	8	3	2,063	4.3	2,476	1,338	1,406
AM3S-3683-150H-4/F/L	11,370	-	18,600	800	1 1/2	1750	24	23.3	8	3	2,063	4.3	2,591	1,454	1,511
AM3S-3664-075L-4/F/L	9,250	10,180	14,100	606	3/4	1140	24	23.3	6	4	2,003	3.4	2,362	1,285	1,321
AM3S-3664-150H-4/F/L	10,700	-	18,600	800	1 1/2	1750	24	23.3	6	4	2,003	3.4	2,477	1,400	1,426
AM3S-3684-075L-4/F/L	10,810	11,890	13,500	581	3/4	1140	24	23.3	8	4	2,670	4.3	2,734	1,400	1,462
AM3S-3684-150H-4/F/L	12,660	-	17,700	761	1 1/2	1750	24	23.3	8	4	2,670	4.3	2,850	1,516	1,567
AM3S-4063-100L-4/F/L	9,030	9,930	16,200	619	1	1140	24	26.2	6	3	1,741	3.8	2,371	1,346	1,396
AM3S-4063-150H-4/F/L	9,990	-	19,800	757	1 1/2	1750	24	26.2	6	3	1,741	3.8	2,454	1,428	1,471
AM3S-4083-100L-4/F/L	10,850	11,940	15,600	596	1	1140	24	26.2	8	3	2,322	4.9	2,721	1,458	1,538
AM3S-4083-150H-4/F/L	12,200	-	19,200	734	1 1/2	1750	24	26.2	8	3	2,322	4.9	2,804	1,541	1,613
AM3S-4064-100L-4/F/L	10,310	11,340	15,600	596	1	1140	24	26.2	6	4	2,253	3.8	2,592	1,398	1,443
AM3S-4064-150H-4/F/L	11,510	-	19,200	734	1 1/2	1750	24	26.2	6	4	2,253	3.8	2,675	1,481	1,518
AM3S-4084-100L-4/F/L	12,350	13,590	15,600	596	1	1140	24	26.2	8	4	3,004	4.9	3,011	1,528	1,602
AM3S-4084-150H-4/F/L	13,700	-	18,600	711	1 1/2	1750	24	26.2	8	4	3,004	4.9	3,094	1,610	1,677

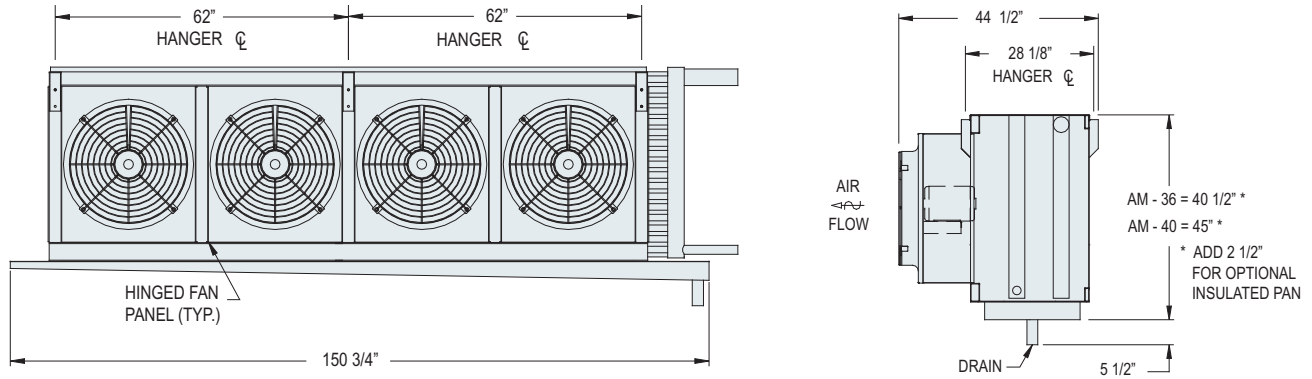


Refrigeration

AM Engineering Data

Models AM4S-3663 to AM4S-4084

Do not use for construction. Refer to factory certified dimensions. This handbook includes data current at the time of publication, which should be be reconfirmed at the time of purchase.

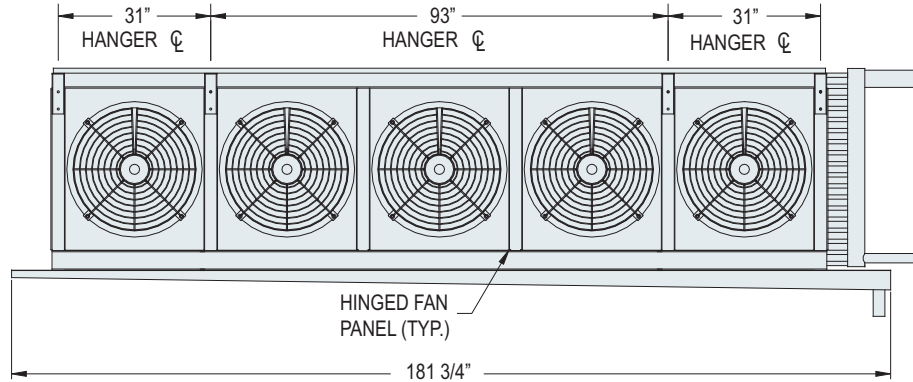


NOTE: See page H17 for 45° down-discharge side view.

Model Number	Capacity (BTUH/°F)		Airflow (CFM)	Average Face Velocity (FPM)	Fan Motor (HP)	Fan Speed (RPM)	Fan Dia. (in.)	Face Area (ft²)	Rows Deep	Fin Density (fpi)	Surface Area (ft²)	Coil Volume (ft³)	Estimated Shipping Weight		
	Frosted	Wet											Galv. (lbs)	Aluminum (lbs)	SST-AL (lbs)
AM4S-3663-050L	10,480	11,530	18,400	594	1/2	1140	24	31	6	3	2,063	4.2	2,766	1,574	1,617
AM4S-3663-100H	12,830	-	27,600	890	1	1750	24	31	6	3	2,063	4.2	2,810	1,618	1,657
AM4S-3683-050L	12,510	13,760	17,600	568	1/2	1140	24	31	8	3	2,751	5.4	3,176	1,706	1,784
AM4S-3683-100H	15,800	-	26,800	865	1	1750	24	31	8	3	2,751	5.4	3,220	1,750	1,824
AM4S-3664-050L	11,900	13,090	17,600	568	1/2	1140	24	31	6	4	2,670	4.2	3,027	1,636	1,674
AM4S-3664-100H	14,830	-	26,800	865	1	1750	24	31	6	4	2,670	4.2	3,071	1,680	1,714
AM4S-3684-050L	14,780	16,260	18,800	606	1/2	1140	24	31	8	4	3,560	5.4	3,518	1,788	1,859
AM4S-3684-100H	17,670	-	25,600	826	1	1750	24	31	8	4	3,560	5.4	3,562	1,832	1,899
AM4S-4063-050L	11,930	13,120	21,200	608	1/2	1140	24	34.88	6	3	2,322	4.7	2,990	1,671	1,728
AM4S-4063-100H	13,810	-	28,400	814	1	1750	24	34.88	6	3	2,322	4.7	3,034	1,715	1,768
AM4S-4083-050L	14,470	15,920	20,800	596	1/2	1140	24	34.88	8	3	3,095	6.1	3,451	1,819	1,915
AM4S-4064-100H	15,950	-	27,600	791	1	1750	24	34.88	6	4	3,004	4.7	3,327	1,785	1,832
AM4S-4084-100H	18,940	-	26,400	757	1	1750	24	34.88	8	4	4,006	6.1	3,879	1,956	2,040
The models below are based on 0.25" ESP/45° Down Discharge/Long Throw Adapters															
AM4S-3663-075L-4/F/L	10,700	11,770	19,200	619	3/4	1140	24	31	6	3	2,063	4.2	2,810	1,618	1,657
AM4S-3663-150H-4/F/L	12,370	-	25,600	826	1 1/2	1750	24	31	6	3	2,063	4.2	2,964	1,772	1,797
AM4S-3683-075L-4/F/L	12,840	14,120	18,400	594	3/4	1140	24	31	8	3	2,751	5.4	3,220	1,750	1,824
AM4S-3683-150H-4/F/L	15,160	-	24,800	800	1 1/2	1750	24	31	8	3	2,751	5.4	3,374	1,904	1,964
AM4S-3664-075L-4/F/L	12,330	13,560	18,800	606	3/4	1140	24	31	6	4	2,670	4.2	3,071	1,680	1,714
AM4S-3664-150H-4/F/L	14,260	-	24,800	800	1 1/2	1750	24	31	6	4	2,670	4.2	3,225	1,834	1,854
AM4S-3684-075L-4/F/L	14,410	15,850	18,000	581	3/4	1140	24	31	8	4	3,560	5.4	3,562	1,832	1,899
AM4S-3684-150H-4/F/L	16,880	-	23,600	761	1 1/2	1750	24	31	8	4	3,560	5.4	3,716	1,986	2,039
AM4S-4063-100L-4/F/L	12,040	13,240	21,600	619	1	1140	24	34.88	6	3	2,322	4.7	3,078	1,759	1,808
AM4S-4063-150H-4/F/L	13,320	-	26,400	757	1 1/2	1750	24	34.88	6	3	2,322	4.7	3,188	1,869	1,908
AM4S-4083-100L-4/F/L	14,470	15,920	20,800	596	1	1140	24	34.88	8	3	3,095	6.1	3,539	1,907	1,995
AM4S-4083-150H-4/F/L	16,270	-	25,600	734	1 1/2	1750	24	34.88	8	3	3,095	6.1	3,649	2,017	2,095
AM4S-4064-100L-4/F/L	13,740	15,110	20,800	596	1	1140	24	34.88	6	4	3,004	4.7	3,371	1,829	1,872
AM4S-4064-150H-4/F/L	15,350	-	25,600	734	1 1/2	1750	24	34.88	6	4	3,004	4.7	3,481	1,939	1,972
AM4S-4084-100L-4/F/L	16,470	18,120	20,800	596	1	1140	24	34.88	8	4	4,006	6.1	3,923	2,000	2,080
AM4S-4084-150H-4/F/L	18,270	-	24,800	711	1 1/2	1750	24	34.88	8	4	4,006	6.1	4,033	2,110	2,180

Models AM5S-3663 to AM5S-4084

Do not use for construction. Refer to factory certified dimensions. This handbook includes data current at the time of publication, which should be reconfirmed at the time of purchase.



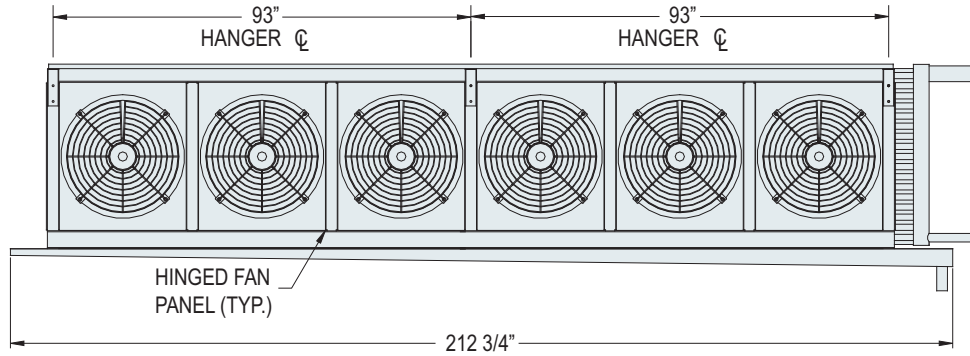
NOTE: See page H17 for 45° down-discharge side view.

Model Number	Capacity (BTUH/°F)		Airflow (CFM)	Average Face Velocity (FPM)	Fan Motor (HP)	Fan Speed (RPM)	Fan Dia. (in.)	Face Area (ft²)	Rows Deep	Fin Density (fpi)	Surface Area (ft²)	Coil Volume (ft³)	Estimated Shipping Weight		
	Frosted	Wet											Galv. (lbs)	Aluminum (lbs)	SST-AL (lbs)
AM5S-3663-050L	13,100	14,410	23,000	594	1/2	1140	24	38.8	6	3	2,579	5	3,401	1,944	1,986
AM5S-3663-100H	16,030	-	34,500	890	1	1750	24	38.8	6	3	2,579	5	3,456	1,999	2,036
AM5S-3683-050L	15,640	17,200	22,000	568	1/2	1140	24	38.8	8	3	3,439	6.5	3,910	2,107	2,192
AM5S-3683-100H	19,750	-	33,500	865	1	1750	24	38.8	8	3	3,439	6.5	3,965	2,162	2,242
AM5S-3664-050L	14,880	16,370	22,000	568	1/2	1140	24	38.8	6	4	3,338	5	3,726	2,021	2,056
AM5S-3664-100H	18,540	-	33,500	865	1	1750	24	38.8	6	4	3,338	5	3,781	2,076	2,106
AM5S-3684-050L	18,480	20,330	23,500	606	1/2	1140	24	38.8	8	4	4,450	6.5	4,336	2,210	2,286
AM5S-3684-100H	22,090	-	32,000	826	1	1750	24	38.8	8	4	4,450	6.5	4,391	2,265	2,336
AM5S-4063-050L	14,920	16,410	26,500	608	1/2	1140	24	43.6	6	3	2,901	5.7	3,676	2,063	2,121
AM5S-4063-100H	17,260	-	35,500	814	1	1750	24	43.6	6	3	2,901	5.7	3,731	2,118	2,171
AM5S-4083-050L	18,090	19,900	26,000	596	1/2	1140	24	43.6	8	3	3,868	7.3	4,248	2,246	2,353
AM5S-4064-100H	19,940	-	34,500	791	1	1750	24	43.6	6	4	3,754	5.7	4,095	2,205	2,250
AM5S-4084-100H	23,670	-	33,000	757	1	1750	24	43.6	8	4	5,006	7.3	4,781	2,418	2,509
The models below are based on 0.25" ESP/45°Down Discharge/Long Throw Adapters															
AM5S-3663-075L4/F/L	13,380	14,720	24,000	619	3/4	1140	24	38.8	6	3	2,579	5	3,456	1,999	2,036
AM5S-3663-150H4/F/L	15,460	-	32,000	826	1 1/2	1750	24	38.8	6	3	2,579	5	3,649	2,191	2,211
AM5S-3683-075L4/F/L	16,050	17,660	23,000	594	3/4	1140	24	38.8	8	3	3,439	6.5	3,965	2,162	2,242
AM5S-3683-150H4/F/L	18,950	-	31,000	800	1 1/2	1750	24	38.8	8	3	3,439	6.5	4,157	2,354	2,417
AM5S-3664-075L4/F/L	15,410	16,950	23,500	606	3/4	1140	24	38.8	6	4	3,338	5	3,781	2,076	2,106
AM5S-3664-150H4/F/L	17,830	-	31,000	800	1 1/2	1750	24	38.8	6	4	3,338	5	3,974	2,269	2,281
AM5S-3684-075L4/F/L	18,010	19,810	22,500	581	3/4	1140	24	38.8	8	4	4,450	6.5	4,391	2,265	2,336
AM5S-3684-150H4/F/L	21,100	-	29,500	761	1 1/2	1750	24	38.8	8	4	4,450	6.5	4,584	2,458	2,511
AM5S-4063-100L4/F/L	15,050	16,560	27,000	619	1	1140	24	35.9	6	3	2,901	5.7	3,786	2,173	2,221
AM5S-4063-150H4/F/L	16,660	-	33,000	757	1 1/2	1750	24	43.6	6	3	2,901	5.7	3,923	2,310	2,346
AM5S-4083-075L4/F/L	17,280	19,010	24,000	551	3/4	1140	24	43.6	8	3	3,868	7.3	4,303	2,301	2,403
AM5S-4083-100L4/F/L	18,090	19,900	26,000	596	1	1140	24	43.6	8	3	3,868	7.3	4,358	2,356	2,453
AM5S-4064-100L4/F/L	17,180	18,900	26,000	596	1	1140	24	43.6	6	4	3,754	5.7	4,150	2,260	2,300
AM5S-4064-150H4/F/L	19,190	-	32,000	734	1 1/2	1750	24	43.6	6	4	3,754	5.7	4,287	2,398	2,425
AM5S-4084-100L4/F/L	20,580	22,640	26,000	596	1	1140	24	43.6	8	4	5,006	7.3	4,836	2,473	2,559
AM5S-4084-150H4/F/L	22,840	-	31,000	711	1 1/2	1750	24	43.6	8	4	5,006	7.3	4,974	2,610	2,684

AM Engineering Data

Models AM6S-3663 to AM6S-4084

Do not use for construction. Refer to factory certified dimensions. This handbook includes data current at the time of publication, which should be reconfirmed at the time of purchase.

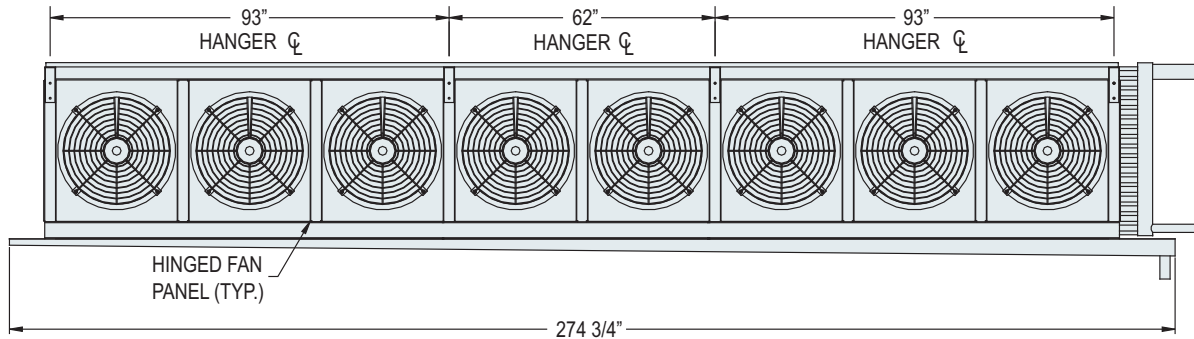


NOTE: See page H17 for 45° down-discharge and standard side views.

Model Number	Capacity (BTUH/°F)		Airflow (CFM)	Average Face Velocity (FPM)	Fan Motor (HP)	Fan Speed (RPM)	Fan Dia. (in.)	Face Area (ft²)	Rows Deep	Fin Density (fpi)	Surface Area (ft²)	Coil Volume (ft³)	Estimated Shipping Weight		
	Frosted	Wet											Galv. (lbs)	Aluminum (lbs)	SST-AL (lbs)
AM6S-3663-050L	15,720	17,290	27,600	594	1/2	1140	24	46.5	6	3	3,095	5.8	4,037	2,313	2,354
AM6S-3663-100H	19,240	-	41,400	890	1	1750	24	46.5	6	3	3,095	5.8	4,103	2,379	2,414
AM6S-3683-050L	18,760	20,640	26,400	568	1/2	1140	24	46.5	8	3	4,127	7.6	4,644	2,507	2,600
AM6S-3683-100H	23,700	-	40,200	865	1	1750	24	46.5	8	3	4,127	7.6	4,710	2,573	2,660
AM6S-3664-050L	17,850	19,640	26,400	568	1/2	1140	24	46.5	6	4	4,005	5.8	4,425	2,406	2,439
AM6S-3664-100H	22,250	-	40,200	865	1	1750	24	46.5	6	4	4,005	5.8	4,491	2,472	2,499
AM6S-3684-050L	22,180	24,400	28,200	606	1/2	1140	24	46.5	8	4	5,340	7.6	5,154	2,632	2,713
AM6S-3684-100H	26,510	-	38,400	826	1	1750	24	46.5	8	4	5,340	7.6	5,220	2,698	2,773
AM6S-4063-050L	17,900	19,690	31,800	608	1/2	1140	24	52.3	6	3	3,482	6.6	4,361	2,454	2,514
AM6S-4063-100H	20,720	-	42,600	814	1	1750	24	52.3	6	3	3,482	6.6	4,427	2,520	2,574
AM6S-4083-050L	21,710	23,880	31,200	596	1/2	1140	24	52.3	8	3	4,642	8.6	5,044	2,673	2,790
AM6S-4064-100H	23,930	-	41,400	791	1	1750	24	52.3	6	4	4,505	6.6	4,863	2,625	2,669
AM6S-4084-100H	28,400	-	39,600	757	1	1750	24	52.3	8	4	6,007	8.6	5,683	2,878	2,977
The models below are based on 0.25" ESP/45° Down Discharge/Long Throw Adapters															
AM6S-3663-075L-4/F/L	16,060	17,670	28,800	619	3/4	1140	24	46.5	6	3	3,095	5.8	4,103	2,379	2,414
AM6S-3663-150H-4/F/L	18,550	-	38,400	826	1 1/2	1750	24	46.5	6	3	3,095	5.8	4,334	2,610	2,624
AM6S-3683-075L-4/F/L	19,260	21,190	27,600	594	3/4	1140	24	46.5	8	3	4,127	7.6	4,710	2,573	2,660
AM6S-3683-150H-4/F/L	22,730	-	37,200	800	1 1/2	1750	24	46.5	8	3	4,127	7.6	4,941	2,804	2,870
AM6S-3664-075L-4/F/L	18,490	20,340	28,200	606	3/4	1140	24	46.5	6	4	4,005	5.8	4,491	2,472	2,499
AM6S-3664-150H-4/F/L	21,390	-	37,200	800	1 1/2	1750	24	46.5	6	4	4,005	5.8	4,722	2,703	2,709
AM6S-3684-075L-4/F/L	21,620	23,780	27,000	581	3/4	1140	24	46.5	8	4	5,340	7.6	5,220	2,698	2,773
AM6S-3684-150H-4/F/L	25,320	-	35,400	761	1 1/2	1750	24	46.5	8	4	5,340	7.6	5,451	2,929	2,983
AM6S-4063-100L-4/F/L	18,060	19,870	32,400	619	1	1140	24	52.3	6	3	3,482	6.6	4,493	2,586	2,634
AM6S-4063-150H-4/F/L	19,990	-	39,600	757	1 1/2	1750	24	52.3	6	3	3,482	6.6	4,658	2,751	2,784
AM6S-4083-075L-4/F/L	20,740	22,810	28,800	551	3/4	1140	24	52.3	8	3	4,642	8.6	5,110	2,739	2,850
AM6S-4083-100L-4/F/L	21,710	23,880	31,200	596	1	1140	24	52.3	8	3	4,642	8.6	5,176	2,805	2,910
AM6S-4064-100L-4/F/L	20,620	22,680	31,200	596	1	1140	24	52.3	6	4	4,505	6.6	4,929	2,691	2,729
AM6S-4064-150H-4/F/L	23,030	-	38,400	734	1 1/2	1750	24	52.3	6	4	4,505	6.6	5,094	2,856	2,879
AM6S-4084-100L-4/F/L	24,700	27,170	31,200	596	1	1140	24	52.3	8	4	6,007	8.6	5,749	2,944	3,037
AM6S-4084-150H-4/F/L	27,410	-	37,200	711	1 1/2	1750	24	52.3	8	4	6,007	8.6	5,914	3,109	3,187

Models AM8S-3663 to AM8S-4084

Do not use for construction. Refer to factory certified dimensions. This handbook includes data current at the time of publication, which should be reconfirmed at the time of purchase.



NOTE: See page H17 for 45° down-discharge and standard side views.

Model Number	Capacity (BTUH/°F)		Airflow (CFM)	Average Face Velocity (FPM)	Fan Motor (HP)	Fan Speed (RPM)	Fan Dia. (in.)	Face Area (ft²)	Rows Deep	Fin Density (fpi)	Surface Area (ft²)	Coil Volume (ft³)	Estimated Shipping Weight		
	Frosted	Wet											Galv. (lbs)	Aluminum (lbs)	SST-AL (lbs)
AM8S-3663-050L	20,960	23,060	36,800	594	1/2	1140	24	62	6	3	4,127	7.5	5,306	3,051	3,091
AM8S-3663-100H	25,650	-	55,200	890	1	1750	24	62	6	3	4,127	7.5	5,394	3,139	3,171
AM8S-3683-050L	25,020	27,520	35,200	568	1/2	1140	24	62	8	3	5,502	9.8	6,111	3,309	3,416
AM8S-3683-100H	31,610	-	53,600	865	1	1750	24	62	8	3	5,502	9.8	6,199	3,397	3,496
AM8S-3664-050L	23,800	26,180	35,200	568	1/2	1140	24	62	6	4	5,340	7.5	5,823	3,175	3,204
AM8S-3664-100H	29,670	-	53,600	865	1	1750	24	62	6	4	5,340	7.5	5,911	3,263	3,284
AM8S-3684-050L	29,570	32,530	37,600	606	1/2	1140	24	62	8	4	7,120	9.8	6,789	3,475	3,567
AM8S-3684-100H	35,340	-	51,200	826	1	1750	24	62	8	4	7,120	9.8	6,877	3,563	3,647
AM8S-4063-050L	23,860	26,250	42,400	608	1/2	1140	24	69.8	6	3	4,642	8.4	5,732	3,236	3,299
AM8S-4063-100H	27,620	-	56,800	814	1	1750	24	69.8	6	3	4,642	8.4	5,820	3,324	3,379
AM8S-4083-050L	28,940	31,830	41,600	596	1/2	1140	24	69.8	8	3	6,190	11	6,637	3,527	3,665
AM8S-4064-100H	31,900	-	55,200	791	1	1750	24	69.8	6	4	6,008	8.4	6,398	3,464	3,506
AM8S-4084-100H	37,870	-	52,800	757	1	1750	24	69.8	8	4	8,010	11	7,486	3,801	3,914
The models below are based on 0.25" ESP/45° Down Discharge/Long Throw Adapters															
AM8S-3663-075L-4/F/L	21,410	23,550	38,400	619	3/4	1140	24	62	6	3	4,127	7.5	5,394	3,139	3,171
AM8S-3663-150H-4/F/L	24,730	-	51,200	826	1 1/2	1750	24	62	6	3	4,127	7.5	5,702	3,447	3,451
AM8S-3683-075L-4/F/L	25,680	28,250	36,800	594	3/4	1140	24	62	8	3	5,502	9.8	6,199	3,397	3,496
AM8S-3683-150H-4/F/L	30,310	-	49,600	800	1 1/2	1750	24	62	8	3	5,502	9.8	6,507	3,705	3,776
AM8S-3664-075L-4/F/L	24,660	27,130	37,600	606	3/4	1140	24	62	6	4	5,340	7.5	5,911	3,263	3,284
AM8S-3664-150H-4/F/L	28,520	-	49,600	800	1 1/2	1750	24	62	6	4	5,340	7.5	6,219	3,571	3,564
AM8S-3684-075L-4/F/L	28,820	31,700	36,000	581	3/4	1140	24	62	8	4	7,120	9.8	6,877	3,563	3,647
AM8S-3684-150H-4/F/L	33,760	-	47,200	761	1 1/2	1750	24	62	8	4	7,120	9.8	7,185	3,871	3,927
AM8S-4063-100H-4/F/L	26,460	-	52,000	746	1	1750	24	69.8	6	3	4,642	8.4	5,908	3,412	3,459
AM8S-4063-150H-4/F/L	26,650	-	52,800	757	1 1/2	1750	24	69.8	6	3	4,642	8.4	6,128	3,632	3,659
AM8S-4083-100L-4/F/L	28,940	31,830	41,600	596	1	1140	24	69.8	8	3	6,190	11	6,813	3,703	3,825
AM8S-4083-150H-4/F/L	32,540	-	51,200	734	1 1/2	1750	24	69.8	8	3	6,190	11	7,033	3,923	4,025
AM8S-4064-100L-4/F/L	27,490	30,240	41,600	596	1	1140	24	69.8	6	4	6,008	8.4	6,486	3,552	3,586
AM8S-4064-150H-4/F/L	30,700	-	51,200	734	1 1/2	1750	24	69.8	6	4	6,008	8.4	6,706	3,772	3,786
AM8S-4084-100L-4/F/L	32,930	36,220	41,600	596	1	1140	24	69.8	8	4	8,010	11	7,574	3,889	3,994
AM8S-4084-150H-4/F/L	36,540	-	49,600	711	1 1/2	1750	24	69.8	8	4	8,010	11	7,794	4,109	4,194



Refrigeration

...because temperature matters™

