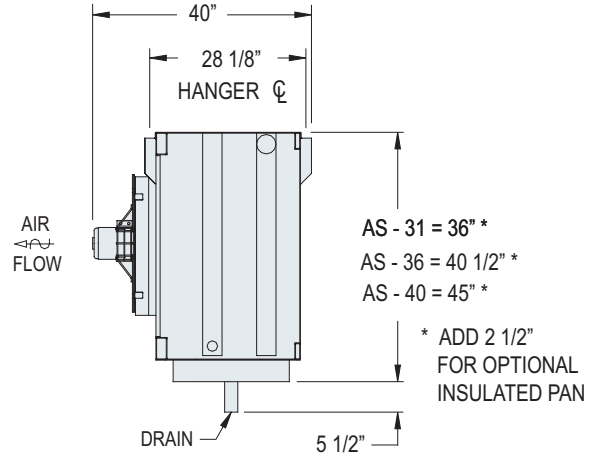
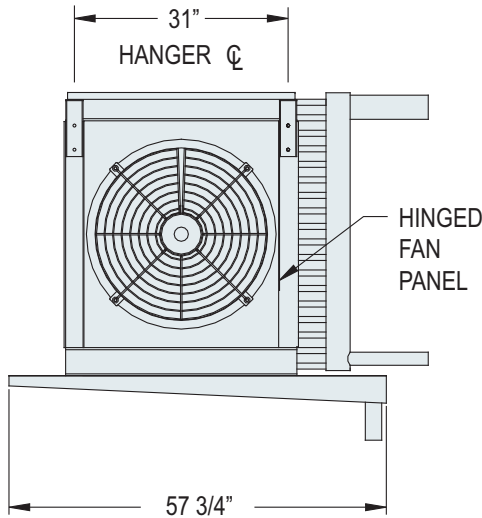


AS Engineering Data

Models AS1S-3163 to AS1S-4066

Do not use for construction. Refer to factory certified dimensions. This handbook includes data current at the time of publication, which should be reconfirmed at the time of purchase.



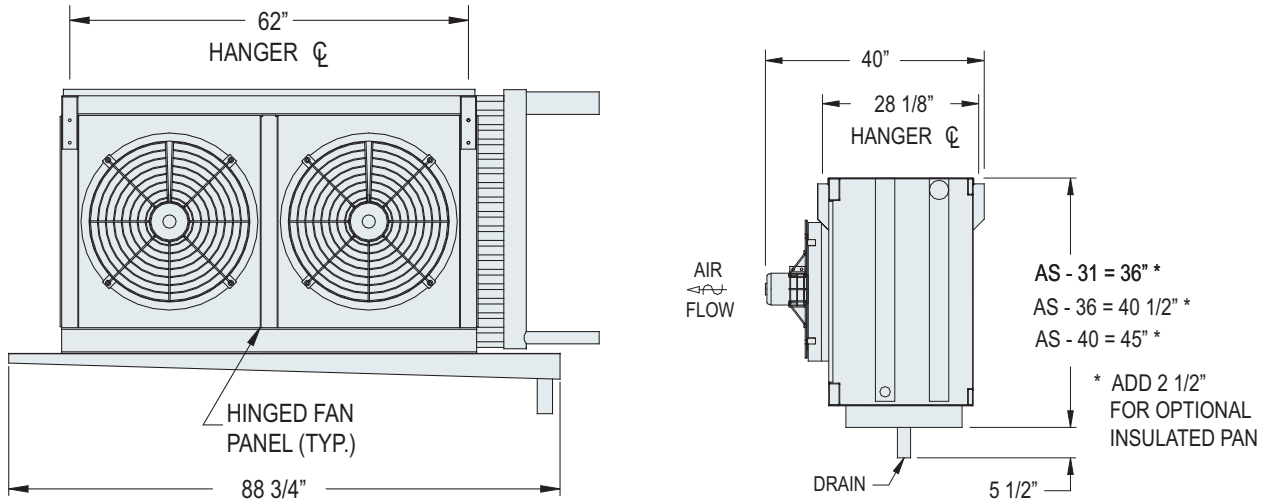
Model Number	Capacity (BTUH/°F)		Airflow (CFM)	Average Face Velocity (FPM)	Fan Motor (HP)	Fan Speed (RPM)	Fan Dia. (in.)	Face Area (ft²)	Rows Deep	Fin Density (fpi)	Surface Area (ft²)	Coil Volume (ft³)	Estimated Shipping Weight		
	Frosted	Wet											Galv. (lbs)	Aluminum (lbs)	SST-AL (lbs)
AS1S-3163-033L	2,280	2,510	4,000	590	1/3	1140	20	6.8	6	3	451	1.5	726	375	418
AS1S-3163-050L	2,400	-	4,400	649	1/2	1140	20	6.8	6	3	451	1.5	726	375	418
AS1S-3183-033L	2,760	3,040	3,900	575	1/3	1140	20	6.8	8	3	602	1.9	826	407	459
AS1S-3164-033L	2,620	2,880	3,900	575	1/3	1140	20	6.8	6	4	584	1.5	788	388	430
AS1S-3164-050L	2,730	3,000	4,200	619	1/2	1140	20	6.8	6	4	584	1.5	788	388	430
AS1S-3184-050L	3,230	3,550	4,100	605	1/2	1140	20	6.8	8	4	779	1.9	905	425	476
AS1S-3166-050L	3,300	3,630	4,200	619	1/2	1140	20	6.8	6	6	849	1.5	953	416	455
AS1S-3663-033L	2,680	2,950	4,800	619	1/3	1140	24	7.8	6	3	516	1.8	792	398	449
AS1S-3663-050L	2,920	-	5,700	735	1/2	1140	24	7.8	6	3	516	1.8	792	398	449
AS1S-3683-033L	3,250	3,580	4,700	606	1/3	1140	24	7.8	8	3	688	2.2	905	434	496
AS1S-3683-050L	3,440	-	5,200	671	1/2	1140	24	7.8	8	3	688	2.2	905	434	496
AS1S-3664-033L	3,080	3,390	4,700	606	1/3	1140	24	7.8	6	4	668	1.8	862	413	463
AS1S-3664-050L	3,290	-	5,300	684	1/2	1140	24	7.8	6	4	668	1.8	862	413	463
AS1S-3684-033L	3,600	3,960	4,500	581	1/3	1140	24	7.8	8	4	890	2.2	996	455	515
AS1S-3684-050L	3,840	-	5,000	645	1/2	1140	24	7.8	8	4	890	2.2	996	455	515
AS1S-3666-050L	3,680	4,050	4,600	594	1/2	1140	24	7.8	6	6	971	1.8	1,049	444	492
AS1S-4063-050L	3,120	-	5,800	665	1/2	1140	24	8.7	6	3	580	2	858	421	481
AS1S-4083-050L	3,770	-	5,600	642	1/2	1140	24	8.7	8	3	774	2.4	985	462	534
AS1S-4064-050L	3,510	3,860	5,400	619	1/2	1140	24	8.7	6	4	751	2	936	438	496
AS1S-4084-050L	4,120	4,530	5,200	596	1/2	1140	24	8.7	8	4	1,001	2.4	1,087	485	555
AS1S-4066-050L	4,150	4,570	5,200	596	1/2	1140	24	8.7	6	6	1,092	2	1,146	473	528

Models AS2S-3163 to AS2S-4066

Do not use for construction. Refer to factory certified dimensions. This handbook includes data current at the time of publication, which should be reconfirmed at the time of purchase.



Refrigeration



Model Number	Capacity (BTUH/°F)		Airflow (CFM)	Average Face Velocity (FPM)	Fan Motor (HP)	Fan Speed (RPM)	Fan Dia. (in.)	Face Area (ft²)	Rows Deep	Fin Density (fpi)	Surface Area (ft²)	Coil Volume (ft³)	Estimated Shipping Weight		
	Frosted	Wet											Galv. (lbs)	Aluminum (lbs)	SST-AL (lbs)
AS2S-3163-033L	4,570	5,030	8,000	590	1/3	1140	20	13.6	6	3	903	2.3	1,249	660	706
AS2S-3163-050L	4,800	-	8,800	649	1/2	1140	20	13.6	6	3	903	2.3	1,249	660	706
AS2S-3183-033L	5,510	6,060	7,800	575	1/3	1140	20	13.6	8	3	1,203	2.9	1,435	719	782
AS2S-3164-033L	5,240	5,760	7,800	575	1/3	1140	20	13.6	6	4	1,168	2.3	1,367	687	731
AS2S-3164-050L	5,460	6,010	8,400	619	1/2	1140	20	13.6	6	4	1,168	2.3	1,367	687	731
AS2S-3184-050L	6,460	7,110	8,200	605	1/2	1140	20	13.6	8	4	1,557	2.9	1,588	756	815
AS2S-3166-050L	6,600	7,260	8,400	619	1/2	1140	20	13.6	6	6	1,699	2.3	1,677	741	780
AS2S-3663-033L	5,350	5,890	9,600	619	1/3	1140	24	15.5	6	3	1,032	2.6	1,358	698	755
AS2S-3663-050L	5,840	-	11,400	735	1/2	1140	24	15.5	6	3	1,032	2.6	1,358	698	755
AS2S-3683-033L	6,490	7,140	9,400	606	1/3	1140	24	15.5	8	3	1,376	3.3	1,570	766	842
AS2S-3683-050L	6,880	-	10,400	671	1/2	1140	24	15.5	8	3	1,376	3.3	1,570	766	842
AS2S-3664-033L	6,160	6,780	9,400	606	1/3	1140	24	15.5	6	4	1,335	2.6	1,492	729	783
AS2S-3664-050L	6,580	-	10,600	684	1/2	1140	24	15.5	6	4	1,335	2.6	1,492	729	783
AS2S-3684-033L	7,210	7,930	9,000	581	1/3	1140	24	15.5	8	4	1,780	3.3	1,745	807	880
AS2S-3684-050L	7,670	-	10,000	645	1/2	1140	24	15.5	8	4	1,780	3.3	1,745	807	880
AS2S-3666-050L	7,360	8,100	9,200	594	1/2	1140	24	15.5	6	6	1,942	2.6	1,844	791	840
AS2S-4063-050L	6,240	-	11,600	665	1/2	1140	24	17.4	6	3	1,161	2.9	1,467	735	804
AS2S-4083-050L	7,550	-	11,200	642	1/2	1140	24	17.4	8	3	1,548	3.7	1,706	812	902
AS2S-4064-050L	7,010	7,710	10,800	619	1/2	1140	24	17.4	6	4	1,502	2.9	1,617	770	836
AS2S-4084-050L	8,230	9,050	10,400	596	1/2	1140	24	17.4	8	4	2,003	3.7	1,901	859	944
AS2S-4066-050L	8,300	9,130	10,400	596	1/2	1140	24	17.4	6	6	2,185	2.9	2,011	840	899

...because temperature matters™

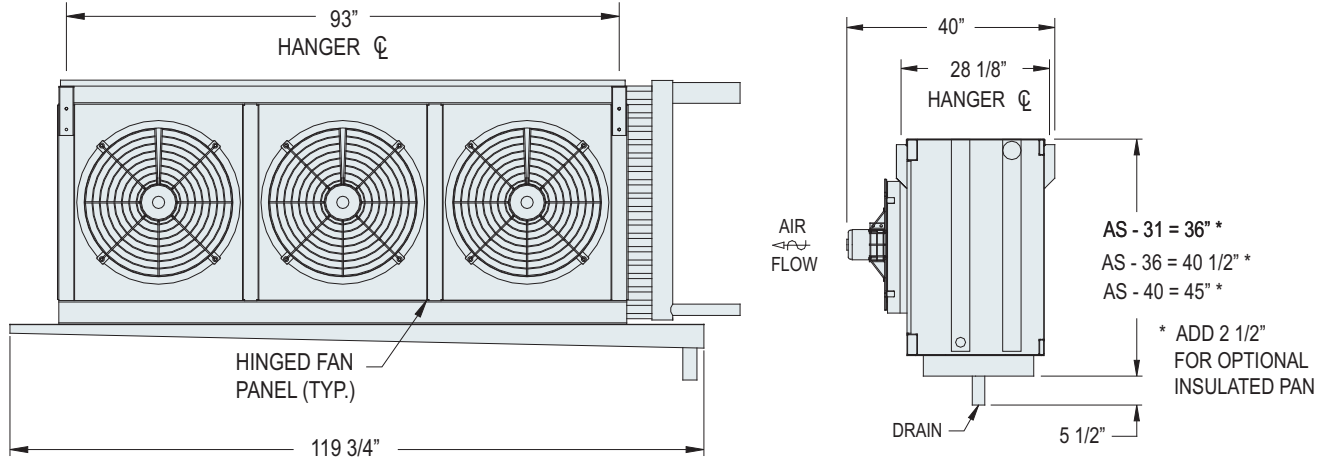


AS Engineering Data

Models AS3S-3163 to AS3S-4066

Do not use for construction. Refer to factory certified dimensions. This handbook includes data current at the time of publication, which should be reconfirmed at the time of purchase.

Aircoil™ Evaporators



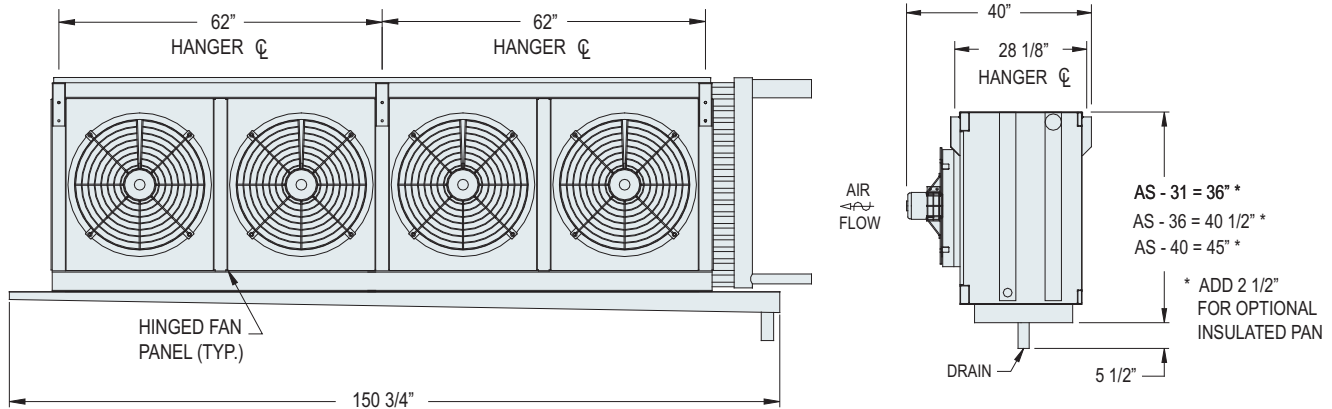
Model Number	Capacity (BTUH/°F)		Airflow (CFM)	Average Face Velocity (FPM)	Fan Motor (HP)	Fan Speed (RPM)	Fan Dia. (in.)	Face Area (ft²)	Rows Deep	Fin Density (fpi)	Surface Area (ft²)	Coil Volume (ft³)	Estimated Shipping Weight		
	Frosted	Wet											Galv. (lbs)	Aluminum (lbs)	SST-AL (lbs)
AS3S-3163-033L	6,850	7,540	12,000	590	1/3	1140	20	20.3	6	3	1,354	3	1,772	945	994
AS3S-3163-050L	7,200	-	13,200	649	1/2	1140	20	20.3	6	3	1,354	3	1,772	945	994
AS3S-3183-033L	8,270	9,100	11,700	575	1/3	1140	20	20.3	8	3	1,805	3.8	2,044	1,032	1,105
AS3S-3164-033L	7,860	8,650	11,700	575	1/3	1140	20	20.3	6	4	1,752	3	1,946	986	1,031
AS3S-3164-050L	8,180	9,000	12,600	619	1/2	1140	20	20.3	6	4	1,752	3	1,946	986	1,031
AS3S-3184-050L	9,690	10,660	12,300	605	1/2	1140	20	20.3	8	4	2,336	3.8	2,271	1,087	1,154
AS3S-3166-050L	9,890	10,880	12,600	619	1/2	1140	20	20.3	6	6	2,548	3	2,402	1,067	1,105
AS3S-3663-033L	8,030	8,830	14,400	619	1/3	1140	24	23.3	6	3	1,547	3.4	1,924	998	1,061
AS3S-3663-050L	8,750	-	17,100	735	1/2	1140	24	23.3	6	3	1,547	3.4	1,924	998	1,061
AS3S-3683-033L	9,740	10,710	14,100	606	1/3	1140	24	23.3	8	3	2,063	4.3	2,235	1,098	1,187
AS3S-3683-050L	10,320	-	15,600	671	1/2	1140	24	23.3	8	3	2,063	4.3	2,235	1,098	1,187
AS3S-3664-033L	9,250	10,180	14,100	606	1/3	1140	24	23.3	6	4	2,003	3.4	2,122	1,045	1,103
AS3S-3664-050L	9,860	-	15,900	684	1/2	1140	24	23.3	6	4	2,003	3.4	2,122	1,045	1,103
AS3S-3684-033L	10,810	11,890	13,500	581	1/3	1140	24	23.3	8	4	2,670	4.3	2,494	1,160	1,244
AS3S-3684-050L	11,510	-	15,000	645	1/2	1140	24	23.3	8	4	2,670	4.3	2,494	1,160	1,244
AS3S-3666-050L	11,040	12,140	13,800	594	1/2	1140	24	23.3	6	6	2,913	3.4	2,639	1,138	1,188
AS3S-4063-050L	9,370	-	17,400	665	1/2	1140	24	26.2	6	3	1,741	3.8	2,076	1,051	1,127
AS3S-4083-050L	11,320	-	16,800	642	1/2	1140	24	26.2	8	3	2,322	4.9	2,426	1,163	1,270
AS3S-4064-050L	10,520	11,570	16,200	619	1/2	1140	24	26.2	6	4	2,253	3.8	2,298	1,103	1,175
AS3S-4084-050L	12,350	13,590	15,600	596	1/2	1140	24	26.2	8	4	3,004	4.9	2,716	1,233	1,334
AS3S-4066-050L	12,440	13,680	15,600	596	1/2	1140	24	26.2	6	6	3,277	3.8	2,877	1,208	1,271

Models AS4S-3163 to AS4S-4066

Do not use for construction. Refer to factory certified dimensions. This handbook includes data current at the time of publication, which should be reconfirmed at the time of purchase.



Refrigeration



Model Number	Capacity (BTUH/°F)		Airflow (CFM)	Average Face Velocity (FPM)	Fan Motor (HP)	Fan Speed (RPM)	Fan Dia. (in.)	Face Area (ft²)	Rows Deep	Fin Density (fpi)	Surface Area (ft²)	Coil Volume (ft³)	Estimated Shipping Weight		
	Frosted	Wet											Galv. (lbs)	Aluminum (lbs)	SST-AL (lbs)
AS4S-3163-033L	9,140	10,050	16,000	590	1/3	1140	20	27.1	6	3	1,806	3.7	2,295	1,230	1,281
AS4S-3163-050L	9,590	-	17,600	649	1/2	1140	20	27.1	6	3	1,806	3.7	2,295	1,230	1,281
AS4S-3183-050L	11,500	12,650	16,800	619	1/2	1140	20	27.1	8	3	2,408	4.8	2,653	1,345	1,427
AS4S-3164-033L	10,480	11,530	15,600	575	1/3	1140	20	27.1	6	4	2,337	3.7	2,524	1,284	1,331
AS4S-3164-050L	10,910	12,000	16,800	619	1/2	1140	20	27.1	6	4	2,337	3.7	2,524	1,284	1,331
AS4S-3184-050L	12,920	14,210	16,400	605	1/2	1140	20	27.1	8	4	3,116	4.8	2,954	1,417	1,493
AS4S-3166-050L	13,190	14,510	16,800	619	1/2	1140	20	27.1	6	6	3,399	3.7	3,125	1,393	1,430
AS4S-3663-033L	10,700	11,770	19,200	619	1/3	1140	24	31	6	3	2,063	4.2	2,490	1,298	1,366
AS4S-3663-050L	11,670	-	22,800	735	1/2	1140	24	31	6	3	2,063	4.2	2,490	1,298	1,366
AS4S-3683-033L	12,990	14,290	18,800	606	1/3	1140	24	31	8	3	2,751	5.4	2,899	1,429	1,532
AS4S-3683-050L	13,760	-	20,800	671	1/2	1140	24	31	8	3	2,751	5.4	2,899	1,429	1,532
AS4S-3164-033L	10,480	11,530	15,600	575	1/3	1140	20	27.1	6	4	2,337	3.7	2,524	1,284	1,331
AS4S-3164-050L	10,910	12,000	16,800	619	1/2	1140	20	27.1	6	4	2,337	3.7	2,524	1,284	1,331
AS4S-3684-033L	14,410	15,850	18,000	581	1/3	1140	24	31	8	4	3,560	5.4	3,242	1,512	1,608
AS4S-3684-050L	15,340	-	20,000	645	1/2	1140	24	31	8	4	3,560	5.4	3,242	1,512	1,608
AS4S-3166-050L	13,190	14,510	16,800	619	1/2	1140	20	27.1	6	6	3,399	3.7	3,125	1,393	1,430
AS4S-4063-050L	12,490	-	23,200	665	1/2	1140	24	34.9	6	3	2,322	4.7	2,685	1,366	1,451
AS4S-4084-050L	16,470	18,120	20,800	596	1/2	1140	24	34.9	8	4	4,006	6.1	3,530	1,607	1,722
AS4S-4064-050L	14,030	15,430	21,600	619	1/2	1140	24	34.9	6	4	3,004	4.7	2,978	1,436	1,514
AS4S-4084-050L	16,470	18,120	20,800	596	1/2	1140	24	34.9	8	4	4,006	6.1	3,530	1,607	1,722
AS4S-4066-050L	16,590	18,250	20,800	596	1/2	1140	24	34.9	6	6	4,370	4.7	3,742	1,576	1,641

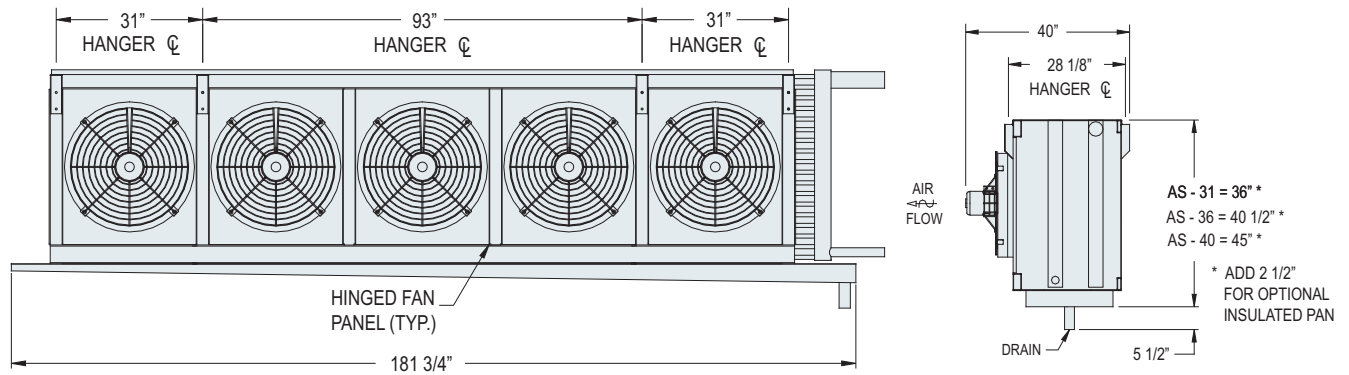
...because temperature matters™



AS Engineering Data

Models AS5S-3163 to AS5S-4066

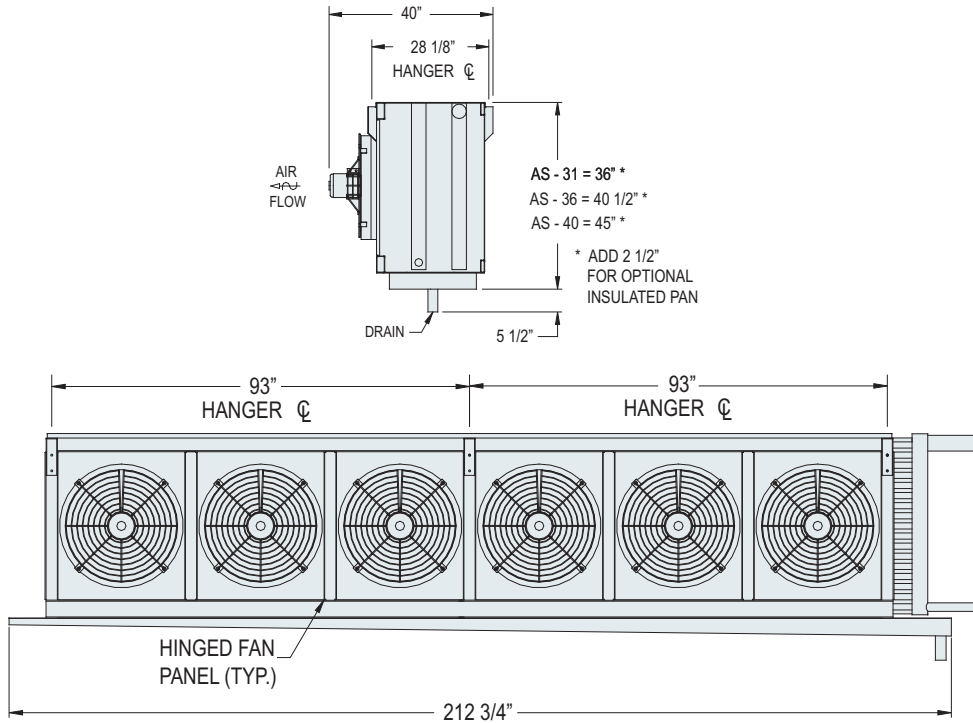
Do not use for construction. Refer to factory certified dimensions. This handbook includes data current at the time of publication, which should be reconfirmed at the time of purchase.



Model Number	Capacity (BTUH/°F)		Airflow (CFM)	Average Face Velocity (FPM)	Fan Motor (HP)	Fan Speed (RPM)	Fan Dia. (in.)	Face Area (ft²)	Rows Deep	Fin Density (fpi)	Surface Area (ft²)	Coil Volume (ft³)	Estimated Shipping Weight		
	Frosted	Wet											Galv. (lbs)	Aluminum (lbs)	SST-AL (lbs)
AS5S-3163-033L	11,420	12,560	20,000	590	1/3	1140	20	33.9	6	3	2,257	4.4	2,818	1,515	1,569
AS5S-3163-050L	11,990	-	22,000	649	1/2	1140	20	33.9	6	3	2,257	4.4	2,818	1,515	1,569
AS5S-3183-050L	14,380	15,820	21,000	619	1/2	1140	20	33.9	8	3	3,009	5.7	3,263	1,658	1,750
AS5S-3164-033L	13,100	14,410	19,500	575	1/3	1140	20	33.9	6	4	2,921	4.4	3,103	1,583	1,631
AS5S-3164-050L	13,640	15,000	21,000	619	1/2	1140	20	33.9	6	4	2,921	4.4	3,103	1,583	1,631
AS5S-3184-050L	16,150	17,770	20,500	605	1/2	1140	20	33.9	8	4	3,894	5.7	3,637	1,749	1,832
AS5S-3166-050L	16,490	18,140	21,000	619	1/2	1140	20	33.9	6	6	4,248	4.4	3,850	1,719	1,755
AS5S-3663-033L	13,380	14,720	24,000	619	1/3	1140	24	38.8	6	3	2,579	5	3,056	1,598	1,672
AS5S-3663-050L	14,590	-	28,500	735	1/2	1140	24	38.8	6	3	2,579	5	3,056	1,598	1,672
AS5S-3683-033L	16,230	17,850	23,500	606	1/3	1140	24	38.8	8	3	3,439	6.5	3,564	1,761	1,878
AS5S-3683-050L	17,200	-	26,000	671	1/2	1140	24	38.8	8	3	3,439	6.5	3,564	1,761	1,878
AS5S-3664-033L	15,410	16,950	23,500	606	1/3	1140	24	38.8	6	4	3,338	5	3,381	1,676	1,742
AS5S-3664-050L	16,440	-	26,500	684	1/2	1140	24	38.8	6	4	3,338	5	3,381	1,676	1,742
AS5S-3684-033L	18,010	19,810	22,500	581	1/3	1140	24	38.8	8	4	4,450	6.5	3,991	1,865	1,972
AS5S-3684-050L	19,180	-	25,000	645	1/2	1140	24	38.8	8	4	4,450	6.5	3,991	1,865	1,972
AS5S-3666-050L	18,400	20,240	23,000	594	1/2	1140	24	38.8	6	6	4,855	5	4,229	1,831	1,884
AS5S-4063-050L	15,610	-	29,000	665	1/2	1140	24	43.6	6	3	2,901	5.7	3,294	1,681	1,774
AS5S-4083-050L	18,870	-	28,000	642	1/2	1140	24	43.6	8	3	3,868	7.3	3,866	1,865	2,006
AS5S-4064-050L	17,540	19,290	27,000	619	1/2	1140	24	43.6	6	4	3,754	5.7	3,658	1,769	1,853
AS5S-4084-050L	20,580	22,640	26,000	596	1/2	1140	24	43.6	8	4	5,006	7.3	4,345	1,981	2,112
AS5S-4066-050L	20,740	22,810	26,000	596	1/2	1140	24	43.6	6	6	5,461	5.7	4,608	1,943	2,012

Models AS6S-3163 to AS6S-4066

Do not use for construction. Refer to factory certified dimensions. This handbook includes data current at the time of publication, which should be reconfirmed at the time of purchase.

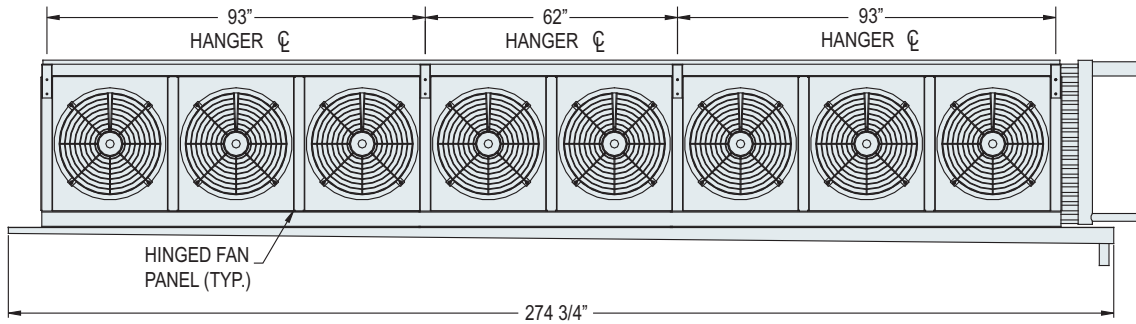
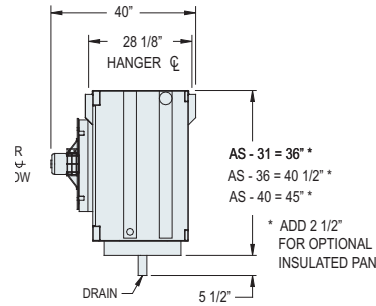


Model Number	Capacity (BTUH/°F)		Airflow (CFM)	Average Face Velocity (FPM)	Fan Motor (HP)	Fan Speed (RPM)	Fan Dia. (in.)	Face Area (ft²)	Rows Deep	Fin Density (fpi)	Surface Area (ft²)	Coil Volume (ft³)	Estimated Shipping Weight		
	Frosted	Wet											Galv. (lbs)	Aluminum (lbs)	SST-AL (lbs)
AS6S-3163-033L	13,710	15,081	24,000	590	1/3	1140	20	40.7	6	3	2,708	5.1	3,341	1,800	1,857
AS6S-3163-050L	14,390	-	26,400	649	1/2	1140	20	40.7	6	3	2,708	5.1	3,341	1,800	1,857
AS6S-3183-050L	17,250	18,975	25,200	619	1/2	1140	20	40.7	8	3	3,611	6.7	3,872	1,970	2,072
AS6S-3164-033L	15,720	17,292	23,400	575	1/3	1140	20	40.7	6	4	3,505	5.1	3,682	1,882	1,932
AS6S-3164-050L	16,370	18,007	25,200	619	1/2	1140	20	40.7	6	4	3,505	5.1	3,682	1,882	1,932
AS6S-3184-050L	19,380	21,318	24,600	605	1/2	1140	20	40.7	8	4	4,673	6.7	4,320	2,079	2,171
AS6S-3166-050L	19,790	21,769	25,200	619	1/2	1140	20	40.7	6	6	5,098	5.1	4,574	2,045	2,080
AS6S-3663-033L	16,060	17,666	28,800	619	1/3	1140	24	46.5	6	3	3,095	5.8	3,622	1,898	1,977
AS6S-3663-050L	17,510	-	34,200	735	1/2	1140	24	46.5	6	3	3,095	5.8	3,622	1,898	1,977
AS6S-3683-033L	19,480	21,428	28,200	606	1/3	1140	24	46.5	8	3	4,127	7.6	4,229	2,093	2,223
AS6S-3683-050L	20,640	-	31,200	671	1/2	1140	24	46.5	8	3	4,127	7.6	4,229	2,093	2,223
AS6S-3664-033L	18,490	20,339	28,200	606	1/3	1140	24	46.5	6	4	4,005	5.8	4,011	1,991	2,062
AS6S-3664-050L	19,730	-	31,800	684	1/2	1140	24	46.5	6	4	4,005	5.8	4,011	1,991	2,062
AS6S-3684-033L	21,620	23,782	27,000	581	1/3	1140	24	46.5	8	4	5,340	7.6	4,739	2,217	2,336
AS6S-3684-050L	23,020	-	30,000	645	1/2	1140	24	46.5	8	4	5,340	7.6	4,739	2,217	2,336
AS6S-3666-050L	22,080	24,288	27,600	594	1/2	1140	24	46.5	6	6	5,826	5.8	5,024	2,178	2,232
AS6S-4063-050L	18,730	-	34,800	665	1/2	1140	24	52.3	6	3	3,482	6.6	3,903	1,996	2,097
AS6S-4083-050L	22,650	-	33,600	642	1/2	1140	24	52.3	8	3	4,642	8.6	4,587	2,215	2,374
AS6S-4064-050L	21,040	23,144	32,400	619	1/2	1140	24	52.3	6	4	4,505	6.6	4,339	2,101	2,193
AS6S-4084-050L	24,700	27,170	31,200	596	1/2	1140	24	52.3	8	4	6,007	8.6	5,159	2,355	2,501
AS6S-4066-050L	24,890	27,379	31,200	596	1/2	1140	24	52.3	6	6	6,553	6.6	5,474	2,311	2,384

AS Engineering Data

Models AS8S-3163 to AS8S-4066

Do not use for construction. Refer to factory certified dimensions. This handbook includes data current at the time of publication, which should be be reconfirmed at the time of purchase.



Model Number	Capacity (BTUH/°F)		Airflow (CFM)	Average Face Velocity (FPM)	Fan Motor (HP)	Fan Speed (RPM)	Fan Dia. (in.)	Face Area (ft²)	Rows Deep	Fin Density (fpi)	Surface Area (ft²)	Coil Volume (ft³)	Estimated Shipping Weight		
	Frosted	Wet											Galv. (lbs)	Aluminum (lbs)	SST-AL (lbs)
AS8S-3163-033L	18,280	20,110	32,000	590	1/3	1140	20	54.3	6	3	3,611	6.5	4,386	2,370	2,433
AS8S-3163-050L	19,190	-	35,200	649	1/2	1140	20	54.3	6	3	3,611	6.5	4,386	2,370	2,433
AS8S-3183-033L	22,050	24,260	31,200	575	1/3	1140	20	54.3	8	3	4,814	8.6	5,090	2,596	2,717
AS8S-3164-033L	20,970	23,070	31,200	575	1/3	1140	20	54.3	6	4	4,673	6.5	4,839	2,479	2,532
AS8S-3164-050L	21,820	24,000	33,600	619	1/2	1140	20	54.3	6	4	4,673	6.5	4,839	2,479	2,532
AS8S-3184-050L	25,850	28,440	32,800	605	1/2	1140	20	54.3	8	4	6,230	8.6	5,685	2,741	2,849
AS8S-3166-050L	26,380	29,020	33,600	619	1/2	1140	20	54.3	6	6	6,796	6.5	6,023	2,697	2,730
AS8S-3663-033L	21,410	23,550	38,400	619	1/3	1140	24	62	6	3	4,127	7.5	4,754	2,498	2,588
AS8S-3663-050L	23,340	-	45,600	735	1/2	1140	24	62	6	3	4,127	7.5	4,754	2,498	2,588
AS8S-3683-033L	25,970	28,570	37,600	606	1/3	1140	24	62	8	3	5,502	9.8	5,558	2,756	2,914
AS8S-3683-050L	27,520	-	41,600	671	1/2	1140	24	62	8	3	5,502	9.8	5,558	2,756	2,914
AS8S-3684-033L	28,820	31,700	36,000	581	1/3	1140	24	62	8	4	7,120	9.8	6,236	2,922	3,064
AS8S-3684-050L	30,690	-	40,000	645	1/2	1140	24	62	8	4	7,120	9.8	6,236	2,922	3,064
AS8S-3666-050L	29,440	32,380	36,800	594	1/2	1140	24	62	6	6	7,767	7.5	6,614	2,871	2,928
AS8S-4063-050L	24,970	-	46,400	665	1/2	1140	24	69.8	6	3	4,642	8.4	5,121	2,626	2,744
AS8S-4083-050L	30,200	-	44,800	642	1/2	1140	24	69.8	8	3	6,190	11	6,026	2,916	3,110
AS8S-4064-050L	28,060	30,870	43,200	619	1/2	1140	24	69.8	6	4	6,008	8.4	5,700	2,766	2,871
AS8S-4084-050L	32,930	36,220	41,600	596	1/2	1140	24	69.8	8	4	8,010	11	6,788	3,103	3,279
AS8S-4066-050L	33,180	36,500	41,600	596	1/2	1140	24	69.8	6	6	8,738	8.4	7,205	3,046	3,125